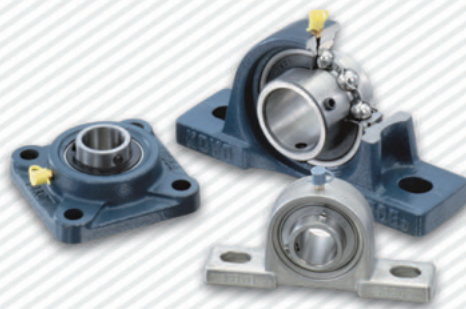
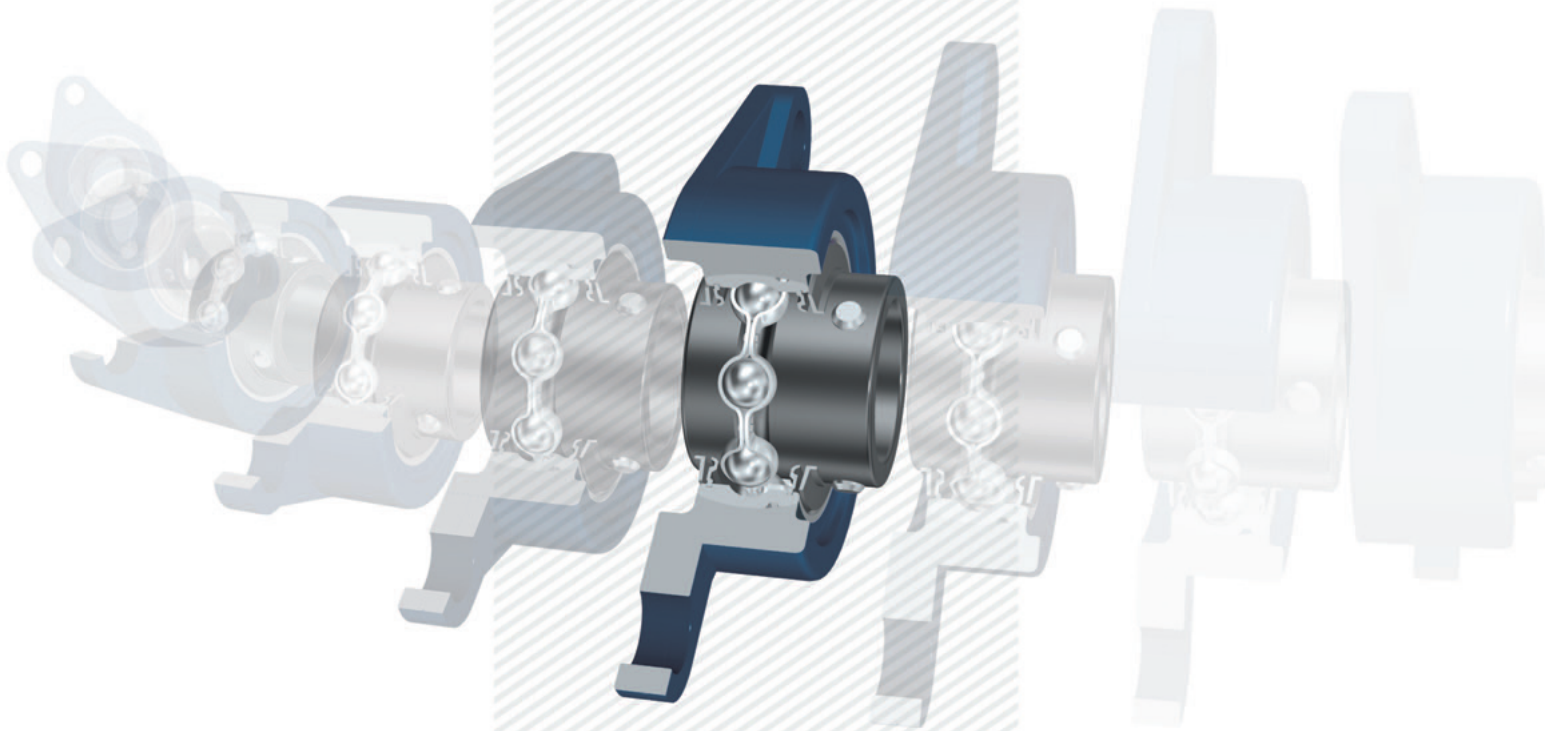


BALL BEARING UNITS



JTEKT

JTEKT CORPORATION

JTEKT
Koyo | TOYODA

CAT. NO. B2007E-2










Ball Bearing Units (contents)

Technical section

1	Structure and features	7
2	Unit number	10
3	Types	12
4	Selection of unit	27
5	Life of bearing	30
6	Bearing load	35
7	Allowable rotational speed	42
8	Operating temperature and bearing specifications	43
9	Strength of housing	44
10	Design of shaft and base	49
11	Tolerances and internal clearance	54
12	Materials	59
13	Performance	61
14	Handling	63

Supplementary table

1	Simplified chart of ball bearing unit combinations	246
2	Tightening torques of mounting bolts for housing and cast iron cover	248
3	Tightening torques of set screws for inner ring and eccentric locking collar	249
4	Tightening torques of adapter lock nuts (reference)	249
5	Machining dimensions of holes for housing dowel pins ...	250
6	Shaft tolerances (deviation from nominal dimensions) ...	252
7	Housing bore tolerances (deviation from nominal dimensions)	254
8	SI units and conversion factors	256
9	Inch/millimeter conversion	260
10	Mechanical properties of metal materials (reference)	261
11	Hexagon socket head cap screws (abstract from JIS B 1176)	262
12	Hexagon head bolts (abstract from JIS B 1180)	264
13	Hexagon head nuts (abstract from JIS B 1181)	266
14	Steel hardness conversion	267
15	Viscosity conversion	268

Technical section	Technical section
Pillow block type	
Square-flanged type	
Rhombic-flanged type	
Round-flanged type with spigot joint	
Pressed steel flange type	
Take-up type	
Cartridge type	
Hanger type	
Ball bearings for units	
Parts and accessories	Parts and accessories
Example of application	Example of application
Supplementary table	Supplementary table



BALL BEARING UNITS

CAT. NO. B2007E-2

Publication of New **Koyo** Ball Bearing Units Catalog

In recent years, needs in industrial world for machineries and equipment highly developed in all aspects have been increased more than ever. Therefore, high technology covering from superior technical advantages including longer service life and maintenance free to higher reliability even under extraordinary conditions such as high and low temperatures and rotation at a high speed is required for ball bearing units.

This catalog completely includes results of technical examinations and abundant research and development.

In the first half of this catalog, technical descriptions referring from the selection to the handling of Koyo Ball Bearing units are mentioned, while a lot of dimensional tables with types and dimensions are included in the last half. Varied technical information is provided at the last of this catalog. We trust this catalog will help you to select and use Koyo Ball Bearing units appropriately.

JTEKT keeps trying to get ideas from the market, step up persistent efforts of technical research and development, and provide the best technologies, quality, and services.

JTEKT is grateful for your patronage and look forward to continuing to serve you in the future.

★The contents of this catalog are subject to change without prior notice.
Every possible effort has been made to ensure that the data herein is correct;
however, JTEKT cannot assume responsibility for any errors or omissions.

Reproduction of this catalog without written consent is strictly prohibited.

Contents

Technical section

1 Structure and features

- 1.1 Structure 7
- 1.2 Features 8

2 Unit number 10

3 Types

- 3.1 Type list 12
- 3.2 Types and features 14
- 3.3 Unit for special use 25

4 Selection of unit

- 4.1 Outline of selection 27
- 4.2 Selection of type and specifications 28
- 4.3 Selection from a maintenance standpoint 29

5 Life of bearing

- 5.1 Basic rating life and basic rating load 30
- 5.2 Calculation of rating life 30
- 5.3 Grease life 34

6 Bearing load

- 6.1 Loads applied to bearing 35
- 6.2 Distribution of load to bearing 37
- 6.3 Dynamic equivalent load 37
- 6.4 Basic static load rating and static equivalent load 38
- 6.5 Example of applied calculation 39

7 Allowable rotational speed

- 7.1 Allowable rotational speed 42
- 7.2 Correction of allowable rotational speed by fitting 43

8 Operating temperature and bearing specifications

- 8.1 Operating temperature range 43

- 8.2 Operating temperature and internal clearance of bearing 43

9 Strength of housing

- 9.1 Strength of cast iron housing 44
- 9.2 Strength of steel housing 48
- 9.3 Strength of stainless steel housing 48
- 9.4 Strength of “compact” series housing 48

10 Design of shaft and base

- 10.1 Design of shaft 49
- 10.2 Design of base 52
- 10.3 Machining dimensions of holes for housing dowel pins 53

11 Tolerances and internal clearance

- 11.1 Tolerances of bearing 54
- 11.2 Tolerances of housing 56
- 11.3 Bearing internal clearance 58

12 Materials

- 12.1 Materials of bearing 59
- 12.2 Materials of housing 59
- 12.3 Materials of parts and accessories 60

13 Performance

- 13.1 Friction torque of bearing 61
- 13.2 Increase in temperature of bearing 61
- 13.3 Dustproof and waterproof performance ... 62

14 Handling

- 14.1 Installation 63
- 14.2 Test run inspection 66
- 14.3 Periodic inspection 67
- 14.4 Supply of grease 67
- 14.5 Replacing bearing 70

Unit specification table

15 Specification tables of ball bearing units	71
1 Pillow block type	
Pillow block type	74
Thick section pillow block type	90
Tapped-base pillow block type	94
Higher centerheight pillow block type	96
Light duty pillow block type	98
“Compact” series pillow block type	100
Stainless-series pillow block type	102
Pressed steel pillow block type	108
2 Square-flanged type	
Square-flanged type	110
Square-flanged type with spigot joint	128
Stainless-series square-flanged type	132
3 Rhombic-flanged type	
Rhombic-flanged type	134
Adjustable rhombic-flanged type	150
Three-bolt flange type	152
Light duty rhombic-flanged type	154
“Compact” series rhombic-flanged type	156
Stainless-series rhombic-flanged type	158
4 Round-flanged type with spigot joint	162
5 Pressed steel flange type	
Pressed steel round-flanged type	172
Pressed steel rhombic-flanged type	174
6 Take-up type	
Take-up type	176
Stainless-series take-up type	190
Section steel frame take-up type	192
Channel steel frame take-up type	194
Pressed steel frame take-up type	200
7 Other units	
Cartridge type	204
Hanger type	210
8 Ball bearings for units	212
9 Adapter assemblies	232

Parts and accessories

16 Parts and accessories	
16.1 Part No. of pressed steel covers	236
16.2 Part No. of cast iron covers	237
16.3 Nominal number and dimensions of grease nipples and reducing socket	238
16.4 Nominal number and dimensions of Allen key wrench	238
17 Example of application	239
18 Supplementary table (contents)	245
1 Simplified chart of ball bearing unit combinations	246
2 Tightening torques of mounting bolts for housing and cast iron cover	248
3 Tightening torques of set screws for inner ring and eccentric locking collar	249
4 Tightening torques of adapter lock nuts (reference)	249
5 Machining dimensions of holes for housing dowel pins	250
6 Shaft tolerances (deviation from nominal dimensions)	252
7 Housing bore tolerances (deviation from nominal dimensions)	254
8 SI units and conversion factors	256
9 Inch/millimeter conversion	260
10 Mechanical properties of metal materials (reference)	261
11 Hexagon socket head cap screws (abstract from JIS B 1176)	262
12 Hexagon head bolts (abstract from JIS B 1180)	264
13 Hexagon head nuts (abstract from JIS B 1181)	266
14 Steel hardness conversion	267
15 Viscosity conversion	268

1 Structure and features

Koyo Ball Bearing Units are highly precise bearing units comprising grease sealed deep groove ball bearings and housings in various forms. The ball bearing units allow easy handling and installation by followings: direct installation to machines and equipment with some bolts, self-aligning, and greasing.

1.1 Structure

Koyo Ball Bearing Unit comprises the ball bearing for unit with spherical outside surface and the housing with spherical bearing seat (Fig. 1.1).

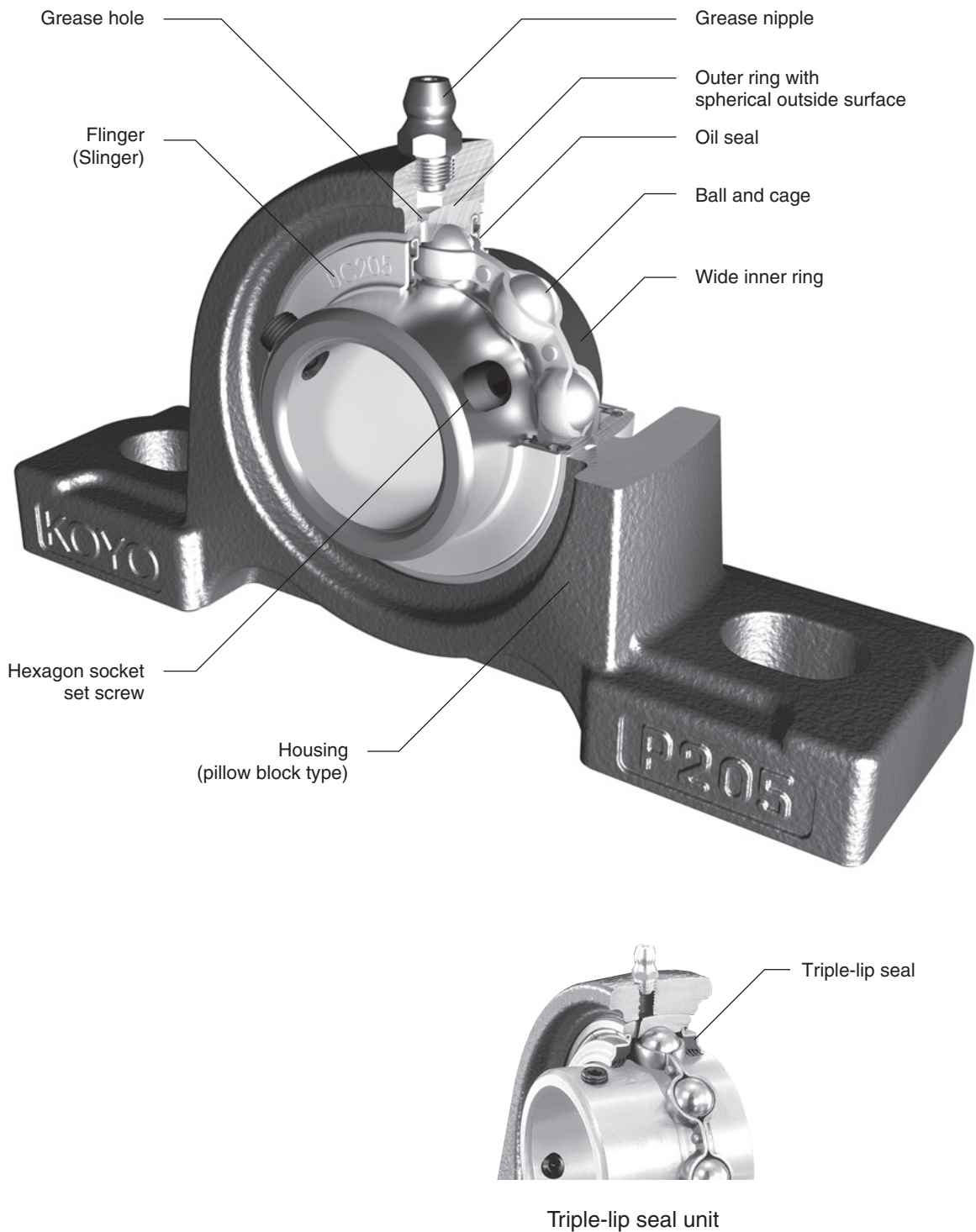


Fig. 1.1 Structure of ball bearing units (representative example)

1 Structure and features

1.2 Features

Koyo Ball Bearing Units, having many features, are available in various types. Select the bearing unit optimal for your purpose among the types with unique features.

1 Supreme load capacity and accuracy

Koyo Ball Bearings for bearing unit, featuring the internal structure identical to single row deep groove ball bearings, bear axial load in both directions, as well as great radial load. The tolerance is equal to that of a standard bearing. They feature high rotation accuracy and high speed rotation.

2 Rational self aligning mechanism and optimal fit

Koyo Ball Bearing Units have self aligning mechanism by the spherical outside surface bearing and the housing with spherical bearing seat. Because of this mechanism, deviation of the shaft center caused by warp of the shaft flexion of axis (shaft) or offset is automatically adjusted to eliminate abnormal load onto the bearing, leading to guarantee of original service life of the bearing.

Since the spherical outside surface of the bearing is ground and the spherical bearing seat of the housing is machined by a boring machine with high accuracy, optimal fitting of the bearing and the housing can be obtained, as well as superior aligning performance.

The allowable aligning angle of standard ball bearing unit is 3°, while that of ball bearing unit with cover is 1°.

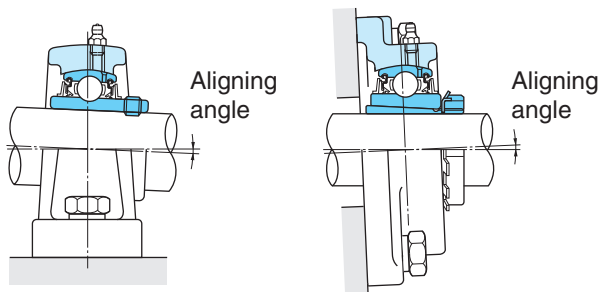


Fig. 1.2 Allowable aligning angle of ball bearing unit

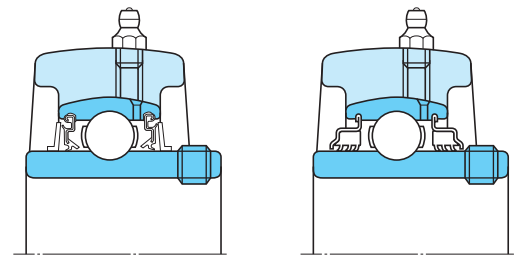
3 Superior sealing performance

Koyo Ball Bearing Units can prevent leak of grease in the bearing to the outside, as well as ingress of dusts and water from the outside into the inside of the bearing by the synergetic effect of the oil seal installed to the outer ring of the bearing and the flinger (slinger) installed to the inner ring of the bearing.

The oil seal is made of synthetic rubber featuring supreme oil proof. Its lip contacts with the inner ring of the bearing with optimal tension (radial load of lip).

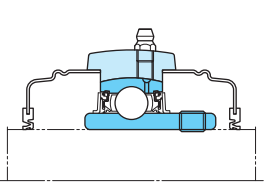
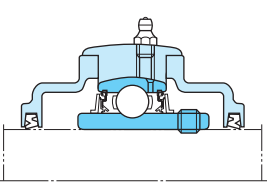
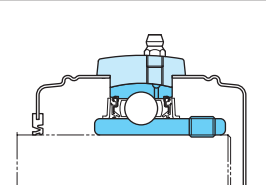
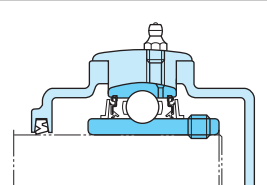
When using in environments with many dusts or high humidity, the triple-lip seal unit (supplementary code : L3) or the unit with cover (supplementary code : C, CD, FC, FD) is optimal.

The triple-lip seal unit or unit with cover strongly prevents ingress of water and dusts from the outside, and guarantees a longer service life of the bearing.



Standard type

Triple-lip seal type
(Supplementary code : L3)

	Pressed steel cover type	Cast iron cover type
Open ends type	 (Supplementary code : C)	 (Supplementary code : C, FC)
Closed end type	 (Supplementary code : CD)	 (Supplementary code : CD, FCD)

Unit with cover

Fig. 1.3 Sealing mechanism of ball bearing unit

4 Simple greasing

Because of the grease nipple on the housing of Koyo Ball Bearing Unit, fresh grease can be easily supplied to the bearing being operated. If the bearing is used in severe environments that are exposed to many dusts or high humidity or that is high temperature, supply fresh grease at a regular interval. Then, the lubrication status of the bearing is kept to the best, and the service life of the bearing can be extended.

When greasing to the bearing unit with the centralized lubricating system, use the socket for lubricating installed to the grease nipple tapped hole on the housing.

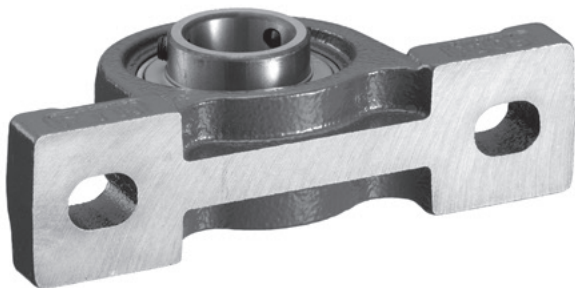
5 Highly rigid and strong housing

Koyo Ball Bearing Unit housing is designed so that it is optimal for reduction of deformation due to centralization of stress and load. After the selection of good material, it is produced by highly advanced casting technique or press working technique.

Since any abnormal load onto the bearing is eliminated by the highly rigid and strong housing, the service life of the bearing can be extended. Baking finish on the surface of the housing keeps good surface status for a long time.

Koyo original solid base pillow block housings seat better and produce a more stable mounting configuration that significantly reduces vibration.

The support ribs have been eliminated to make more room for mounting bolts and washers, yet these housings are more than 30% stronger than before while also reducing housing weight. The new housing downward destruction strength means that the inserts break before the housings.



6 Simple installation and handling

Koyo Ball Bearing Units of many types can be installed to any of machine or equipment with some bolts, and can be used in the status as it is. Clearance fit is used for the inner ring of bearing and the shaft, as a rule.

Therefore, Koyo Ball Bearing Unit does not need any work such as filling of lubricant or installation of sealing unit required for standard bearings. As a result, the total of manpower can be drastically reduced.

As for the fixing method of bearing to shaft, three methods, (1) set screw mounted to the cylindrical bore wide inner ring, (2) adapter installed to the tapered bore inner ring, and (3) eccentric locking collar installed to the cylindrical bore wide inner ring are available.

Fixing of bearing to shaft can be executed easily and securely by adopting any of these method.

7 Various types

Koyo Ball Bearing Units are available in various types.

Reliability of machine or equipment used together with the units can be improved by selecting and using bearing units optimal for the purpose and operating conditions.

2 Unit number

2 Unit number

Nominal number of Koyo Ball Bearing Unit conform to JIS B1557, and comprise the bearing unit type number (comprising bearing type code and housing type code),

diameter series code, bore dia. number, supplementary code, and special code.

UC P 207 J L3

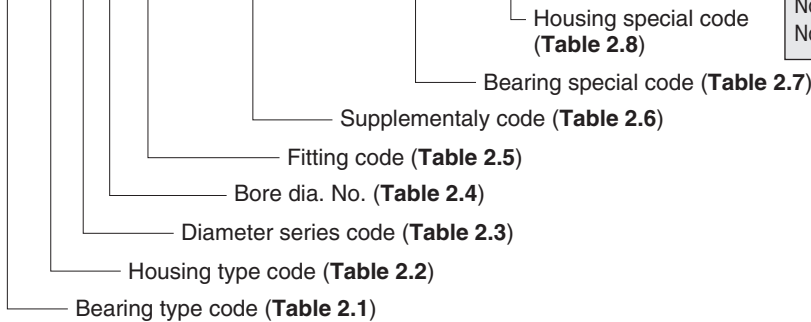
Nominal bearing number	UC207L3
Nominal housing number	P207J

UK P 209 J CD + H309X

Nominal bearing number	UK209+H309X
Nominal housing number	P209JE1
Nominal pressed steel cover number	(Through type) C-9x40 (Closed type) D-9

UC F 209 J L3 FD D1K2 G6 A1

Nominal bearing number	UC209L3D1K2G6
Nominal housing number	F209JA1E3
Nominal cast iron cover number	(Closed type) 209FD



[Remark] The above number shows an example of nominal number structure. It may depend on the bearing unit type.

Table 2.1 Bearing type code

Bearing type code	Details
UC	Cylindrical bore, with set screws
UC-S6	Cylindrical bore, with set screws (stainless-series)
UK	Tapered bore (for adapter)
NA	Cylindrical bore, with eccentric locking collar
SB	Cylindrical bore, with set screws (light duty type)
SU	Cylindrical bore, with set screws ("compact" series)
SA	Cylindrical bore, with eccentric locking collar (light duty type)
SU-S6	Cylindrical bore, with set screws (stainless-series)
ER	Cylindrical bore, with set screws, cylindrical outer diameter, Lubricating mechanism
RB	Cylindrical bore, with set screws, cylindrical outer diameter

Table 2.2 Housing type code (continued)

Housing type code	Details
SP	Pillow block type (stainless-series)
PP	Cast steel pillow block type
F	Square-flanged type
FL	Rhombic-flanged type
FA	Adjustable rhombic-flanged type
FB	Three-bolt flange type
FC	Round-flanged type with spigot joint
FS	Square-flanged type
FL	Rhombic-flanged type ("compact" series)
SF-H1	Square-flanged type (stainless-series)
SFL-H1	Rhombic-flanged type (stainless-series)
SFL	Rhombic-flanged type (stainless-series)
PF	Pressed steel round-flanged type
PFL	Pressed steel rhombic-flanged type
T	Take-up type
ST-H1	Take-up type (stainless-series)
TH	Section steel frame take-up type
TL	Light channel steel frame take-up type
TU	Channel steel frame take-up type
PTH	Pressed steel frame take-up type
NPTH	Pressed steel frame take-up type
C	Cartridge type
HA	Hanger type

Table 2.2 Housing type code

Housing type code	Details
P	Pillow block type
IP	Thick section pillow block type
PA	Tapped-base pillow block type
PH	Higher centerheight pillow block type
LP	Light duty pillow block type
P	Pillow block type ("compact" series)
SP-H1	Pillow block type (stainless-series)
SPA-H1	Tapped-base pillow (stainless-series)

Table 2.3 Diameter series code

Diameter series code	Details
0	For light duty
2	For medium duty
X	For medium duty
3	For heavy duty

Table 2.4 Bore dia. number

Bore dia. No.	Details
8	Nominal bearing bore dia. 8 mm
00	Nominal bearing bore dia. 10 mm
01	Nominal bearing bore dia. 12 mm
02	Nominal bearing bore dia. 15 mm
03	Nominal bearing bore dia. 17 mm
04 or more	(Bore dia. No.) × 5 = Nominal bearing bore dia. (mm)
01-8	– (bore dia. No.) /16 = nominal bearing bore dia. (inch) (in this case, 8/16 = 1/2 inch = 12.7 mm)

Table 2.5 Fitting code

Fitting code	Details
J	Tolerance class of spherical bore of the housing is J7 (not shown on the bearing that the spherical bore diameter exceeds 120 mm)
H	Tolerance class of spherical bore of the housing is H7
K	Tolerance class of spherical bore of the housing is K7

Table 2.6 Supplementary code

Supplementary code	Details
C ¹⁾	Cover, open type
D ¹⁾	Cover, closed type
FC	Cast iron cover, open type
FD	Cast iron cover, closed type
L3	Triple-lip seal type

Note 1) Standard specifications of codes C and D are as shown below.

201-218, X05-X17Pressed steel cover
 X18-X20, 305-328Cast iron cover

Table 2.7 Bearing special code

Item	Bearing special code	Details
Grease	None	Alvania No.2 or equivalents
	D1	SH44M
	D2	SH33M
	D9	Demnum L-200
Set Screw	None	Bullet Point
	G4	Pointed tip
	G6	With full dog point
Oil seal	None	Nitrile rubber
	K2	Silicone rubber
	K3	Non-contact type
Sealing Device	None	With oil seal and flinger (slinger) (UC, UK, NA, ER and RB types) With oil seal (SB, SA and SU types)
	P3	Without oil seal, flinger (slinger)
	P4	Without oil seal
	Others	S3
S5		For blower (oil seal : K3, inner clearance and bearing accuracy are specially controlled)
S6		Stainless steel bearing
S7		Plated bearing (for corrosion-resistance)

Table 2.8 Housing special code

Item	Housing special code	Details
Grease Nipple Thread Bore dia.	None	As shown in dimensional table
	A1	PT1/8 tube thread
	A2	PF1/8 tube thread
	A3	PT1/4 tube thread
	A4	PF1/4 tube thread
Grease Nipple Thread Bore Position	None	As shown in dimensional table
	B1	Right
	B2	Left
	B3	45°
	B5	30°
	B7	Both right and left
Machining	None	Standard type
	E1	Pressed steel cover mounting groove
	E3	Cast iron cover mounting groove (diameter series 2, X, 3)
	E4	Non-lubricating type
Material	None	Gray iron casting (FC200) or cold-reduced carbon steel sheets and strips (SPCC) Compact type is made of zinc alloy die-cast (ZDC2) Small stainless series is made of stainless cast steel type (SCS13)
	H1	Stainless steel cast steel model (SCS13)
	H4	Ductile iron (FCD450-10)
	H5	Rolled steel for general purpose (SS400)
	H9	Stainless steel cast steel model (SCS14)
	Grease Nipple	None
N1		B type (67.5°)
N2		C type (90°)

3 Types

3 Types

3.1 Type list

Table 3.1 and Table 3.2 show the types of Koyo Ball Bearing Units and ball bearing for unit.

Koyo Ball Bearing Units are available in various types.

Table 3.1 Koyo Ball Bearing Units types

Type	Bearing bore dia. Surface (fixing to shaft)	Type code	Shaft dia.		Dimension table	
			(inch)	(mm)		
1 Pillow block type	(1) Standard	Cylindrical bore (with set screws)	UCP	$1/2 - 4$	12 - 140	P.74
		Cylindrical bore (with eccentric locking collar)	NAP	$1/2 - 2^{15/16}$	12 - 75	P.80
			NAPK	$1/2 - 2^{15/16}$	12 - 75	P.82
		Tapered bore (with adapter)	UKP	$3/4 - 4^{1/2}$	20 - 125	P.84
	(2) Thick section type	Cylindrical bore (with set screws)	UCIP	$1^{1/2} - 4$	40 - 140	P.90
		Tapered bore (with adapter)	UKIP	$1^{1/4} - 4^{1/2}$	35 - 125	P.92
	(3) Tapped-base type	Cylindrical bore (with set screws)	UCPA	$1/2 - 2$	12 - 50	P.94
	(4) Higher centerheight type	Cylindrical bore (with set screws)	UCPH	$1/2 - 2$	12 - 50	P.96
(5) Light duty type	Cylindrical bore (with set screws)	BLP	$1/2 - 1^{9/16}$	12 - 40	P.98	
	Cylindrical bore (with eccentric locking collar)	ALP				
(6) "Compact" series	Cylindrical bore (with set screws)	UP	N/A	10 - 30	P.100	
(7) Stainless-series	Cylindrical bore (with set screws)	UCSP-H1S6	N/A	20 - 50	P.102	
		UCSPA-H1S6	N/A	20 - 40	P.104	
		USP-S6	N/A	10 - 30	P.106	
(8) Pressed steel type	Cylindrical bore (with set screws)	SBPP	$1/2 - 1^{1/4}$	12 - 30	P.108	
	Cylindrical bore (with eccentric locking collar)	SAPP				
2 Square-flanged type	(1) Standard	Cylindrical bore (with set screws)	UCF	$1/2 - 4$	12 - 140	P.110
		Cylindrical bore (with eccentric locking collar)	UCF-E	$1/2 - 3^{7/16}$	12 - 85	P.116
		Tapered bore (with adapter)	NANF	$1/2 - 2^{7/16}$	12 - 60	P.120
			UKF	$3/4 - 4^{1/2}$	20 - 125	P.122
	(2) With spigot joint	Cylindrical bore (with set screws)	UCFS	$1 - 4$	25 - 140	P.128
	Tapered bore (with adapter)	UKFS	$3/4 - 4^{1/2}$	20 - 125	P.130	
(3) Stainless-series	Cylindrical bore (with set screws)	UCSF-H1S6	N/A	20 - 50	P.132	
3 Rhombic-flanged type	(1) Standard	Cylindrical bore (with set screws)	UCFL	$1/2 - 4$	12 - 130	P.134
		Cylindrical bore (with eccentric locking collar)	UCFL-E	$1/2 - 3^{1/4}$	12 - 85	P.140
		Tapered bore (with adapter)	NANFL	$1/2 - 2^{3/16}$	12 - 55	P.144
			UKFL	$3/4 - 4^{1/2}$	20 - 115	P.146
	(2) Adjustable type	Cylindrical bore (with set screws)	UCFA	$1/2 - 2^{3/16}$	12 - 55	P.150
	(3) Three-bolt type	Cylindrical bore (with set screws)	UCFB	$1/2 - 2$	12 - 50	P.152
(4) Light duty type	Cylindrical bore (with set screws)	BLF	$1/2 - 1^{7/16}$	12 - 35	P.154	
	Cylindrical bore (with eccentric locking collar)	ALF				
(5) "Compact" series	Cylindrical bore (with set screws)	UFL	N/A	8 - 30	P.156	
		UCSFL-H1S6	N/A	20 - 50	P.158	
(6) Stainless-series	Cylindrical bore (with set screws)	USFL-S6	N/A	10 - 30	P.160	
4 Round-flanged type with spigot joint	Cylindrical bore (with set screws)	UCFC	$1/2 - 4$	12 - 100	P.162	
		UCFCX-E	$1 - 4$	25 - 100	P.166	
		UKFC	$3/4 - 3^{1/2}$	20 - 90	P.168	
5 Pressed steel flange type	(1) Round-flanged type	Cylindrical bore (with set screws)	SBPF	$1/2 - 1^{7/16}$	12 - 35	P.172
		Cylindrical bore (with eccentric locking collar)	SAPF			
(2) Rhombic-flanged type	Cylindrical bore (with set screws)	SBPFL	$1/2 - 1^{7/16}$	12 - 35	P.174	
		Cylindrical bore (with eccentric locking collar)				SAPFL

Table 3.1 Koyo Ball Bearing Units types (continued)

Type	Bearing bore dia. Surface (fixing to shaft)	Type code	Shaft dia.		Dimension table	
			(inch)	(mm)		
6 Take-up type	(1) Standard	Cylindrical bore (with set screws)	UCT	$1/2 - 4$	12 - 140	P.176
		Tapered bore (with adapter)	UCT-E UKT	$1/2 - 3 \frac{7}{16}$ $3/4 - 4 \frac{1}{2}$	12 - 85 20 - 125	P.182 P.186
	(2) Stainless-series	Cylindrical bore (with set screws)	UCST-H1S6	N/A	20 - 50	P.190
	(3) Section steel frame type	Cylindrical bore (with set screws)	UCTH	$1/2 - 2 \frac{1}{2}$	12 - 65	P.192
	(4) Channel steel frame type	Cylindrical bore (with set screws)	UCTL UCTU	N/A N/A	20 - 45 40 - 90	P.194 P.196
(5) Pressed steel frame type	Cylindrical bore (with set screws)	SBPTH	N/A	12 - 25	P.200	
		SBNPTH	N/A	12 - 25	P.202	
7 Cartridge type	Cylindrical bore (with set screws) Tapered bore (with adapter)	UCC	$1/2 - 4$	12 - 140	P.204	
		UKC	$3/4 - 4 \frac{1}{2}$	20 - 125	P.208	
8 Hanger type	Cylindrical bore (with set screws)	UCHA	$1/2 - 3$	12 - 75	P.210	

Table 3.2 Types of ball bearing for Koyo Ball Bearing Unit

Type	Bearing bore dia. Surface (fixing to shaft)	Type code	Shaft dia.		Dimension table	
			(inch)	(mm)		
Ball bearing for units	(1) Standard	Cylindrical bore (with set screws)	UC	$1/2 - 4$	12 - 140	P.212
	(2) Standard	Tapered bore (with adapter)	UK	$3/4 - 4 \frac{1}{2}$	20 - 125	P.224
	(3) Standard	Cylindrical bore (with eccentric locking collar)	NA	$1/2 - 3$	12 - 75	P.220
	(4) Light duty	Cylindrical bore (with set screws)	SB	$1/2 - 1 \frac{1}{2}$	12 - 40	P.212
	(5) Light duty	Cylindrical bore (with eccentric locking collar)	SA	$1/2 - 1 \frac{9}{16}$	12 - 40	P.220
			SA-F	$1/2 - 2 \frac{3}{16}$	12 - 55	
	(6) "Compact"	Cylindrical bore (with set screws)	SU	N/A	8 - 30	P.212
	(7) Stainless steel	Cylindrical bore (with set screws)	UC-S6	N/A	20 - 50	P.218
			SU-S6	N/A	10 - 30	
	(8) Cylindrical outside surface (with lubricating mechanism and snap ring)	Cylindrical bore (with set screws)	ER	$1/2 - 2 \frac{7}{16}$	12 - 60	P.230
(9) Cylindrical outside surface	Cylindrical bore (with set screws)	RB	$1/2 - 1 \frac{9}{16}$	12 - 40	P.230	
(10) Adapter assembly		H2300X	$3/4 - 4 \frac{1}{2}$	20 - 125	P.232	

3.2 Types and features

Koyo Ball Bearing Units are available in various types by combinations of bearings and housings.

Types and features of the Ball Bearing Units are shown below.

Remark) Descriptions of codes for unit with cover are shown in the table below. (common to all the types)

Diameter series	Code	Descriptions
2	C, CD	Pressed steel cover type
	FC, FCD	Cast iron cover type
X	C, CD	From X05 to X17 : pressed steel cover type X18 and X20 : cast iron cover type
	C, CD	Cast iron cover type

1 Pillow block type units

1 Pillow block type units



UCP



UKP

Cylindrical bore (with set screws)... Bearing **UC2 (X, 3)** series are used.

UCP2 (X, 3) : Standard type, **L3** : Triple-lip seal type,
C, CD (FC, FCD) : Pressed steel cover type or cast iron cover type

Cylindrical bore (with eccentric locking collar) ... Bearing **NA2** series are used.

NAP2, NAPK2 : Standard type, **L3** : Triple-lip seal type

Tapered bore (with adapter)... Bearing **UK2 (X, 3)** series are used.

UKP2 (X, 3) : Standard type, **L3** : Triple-lip seal type,
C, CD (FC, FCD) : Pressed steel cover type or cast iron cover type

NAP

NAPK

This is the most typical type ball bearing unit. The rib at the bottom of the housing mounting section allows the highly strong structure which withstands against loads applied from all the directions.

The housing can be installed to a machine with two bolts. As for the tapered bore (UKP) type, nominal number of adapter assembly which follows the nominal number of unit should be added.

Applications : Transmission devices, general industrial equipment

2 Thick section pillow block type units



UCIP



UKIP

Cylindrical bore (with set screws)... Bearing **UC2 (3)** series are used.

UCIP2 (3) : Standard type, **L3** : Triple-lip seal type,
C, CD (FC, FCD) : Pressed steel cover type or cast iron cover type

Tapered bore (with adapter)... Bearing **UK2 (3)** series are used.

UKIP2 (3) : Standard type, **L3** : Triple-lip seal type,
C, CD (FC, FCD) : Pressed steel cover type or cast iron cover type

This pillow block type unit is applicable for use with a great load. The thick and highly rigid housing is suitable to environment exposed to a great load, vibration, and impact. The mounting bolt holes are drilled, and the housing can be installed to the exact location with two bolts.

Applications : Crane, heavy object conveyor, quarrying plant, ships

3 Tapped-base pillow block type unit



UCPA

Cylindrical bore (with set screws)...Bearing **UC2** series are used.
UCPA2 : Standard type, **L3** : Triple-lip seal type

This pillow block type unit is designed so that the mounting space is reduced. It is installed to machines with the two tapped holes on the housing mounting bottom.

Applications : Roller conveyor, purpose with small mounting space

4 Higher centerheight pillow block type unit



UCPH

Cylindrical bore (with set screws)...Bearing **UC2** series are used.
UCPH2 : Standard type, **L3** : Triple-lip seal type

This unit, designed as the higher centerheight pillow block type unit, has high strength against impact load. It is suitable for the machine that the distance from the mounting bottom to the shaft center is long. The housing can be installed to machines with two bolts.

Applications : Printing machine, spinneret

5 Light duty pillow block type unit



BLP

ALP

Cylindrical bore (with set screws)...Bearing **SB2** series are used.
BLP2

Cylindrical bore (with eccentric locking collar)

...Bearing **SA2** series are used.

ALP2

This pillow block type unit is designed for the aim of lightweight. The housing can be installed to machines with two bolts.

Applications : Machinery for general purposes aiming at lightweight

6 "Compact" series pillow block type unit



UP

Cylindrical bore (with set screws)...Bearing **SU0** series are used.
UP0

C, CD : Rubber coating cover type

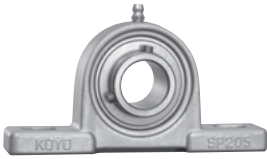
The small and lightweight pillow block type unit, comprising the ball bearing for unit for light load and the special lightweight alloy housing, needs not to be lubricated additionally.

The housing can be installed to machines with two bolts.
 Applications : Machineries for light load

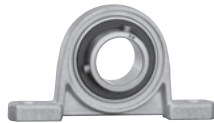
3 Types

(1 Pillow block type units)

7 Stainless-series pillow block type units



UCSP-H1S6



USP-S6

UCSPA-H1S6

Cylindrical bore (with set screws)
Standard... Bearing **UC2-S6** series are used.

UCSP2-H1S6

C, CD : Pressed stainless steel cover type

Tapped base... Bearing **UC2-S6** series are used.

UCSPA-H1S6

C, CD : Pressed stainless steel cover type

Compact... Bearing **SU0-S6** series are used.

USP0-S6

C, CD : Pressed stainless steel cover type

This superior anticorrosion pillow block type unit comprises the bearing and housing made of stainless steel. The unit is thinner than standard UCP series units, leading to downsizing of machinery. The housing can be installed to machines with two bolts.

Applications : Food machinery, agricultural machinery

8 Pressed steel pillow block type unit



SBPP

SAPP

Cylindrical bore (with set screws)... Bearing **SB2** series are used.
SBPP2

Cylindrical bore (with eccentric locking collar)

... Bearing **SA2** series are used.

SAPP2

This lightweight pillow block type unit for light load comprises the ball bearing for lightweight unit and the pressed steel plate housing.

The housing can be installed to machines with two bolts.

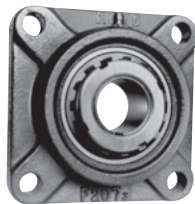
Applications : Light duty conveyor, environment exposed to light load and low speed rotation

2 Square-flanged type units

1 Square-flanged type units



UCF, UCF-E



UKF

Cylindrical bore (with set screws)... Bearing **UC2 (X, 3)** series are used.

UCF2 (X, 3) : Standard type, **L3** : Triple-lip seal type,

C, D (FC, FD) : Pressed steel cover type or cast iron cover type

UCF2 (X) -E : Standard type, **L3** : Triple-lip seal type

Cylindrical bore (with eccentric locking collar)

... Bearing **NA2** series are used.

NANF2 : Standard type, **L3** : Triple-lip seal type

Tapered bore (with adapter)... Bearing **UK2 (X, 3)** series are used.

UKF2 (X, 3) : Standard type, **L3** : Triple-lip seal type,

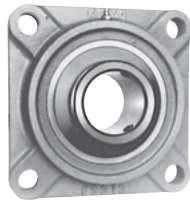
C, D (FC, FD) : Pressed steel cover type or cast iron cover type

NANF

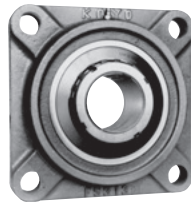
This bearing unit comprises the ball bearing for unit and the housing with square flange. It is suitable to use on a vertical surface, such as the side of machinery.

The housing can be installed to machines with four bolts.

2 Square-flanged types with spigot joint



UCFS



UKFS

Cylindrical bore (with set screws)...Bearing **UC3** series are used.

UCFS3 : Standard type, **L3** : Triple-lip seal type,
C, D : Cast iron cover type

Tapered bore (with adapter)...Bearing **UK3** series are used.

UKFS3 : Standard type, **L3** : Triple-lip seal type,
C, D : Cast iron cover type

This bearing unit comprises the ball bearing for unit, square flange, and the housing with spigot joint on the mounting surface. The housing can be installed to a machine by fitting the spigot joint into the mounting hole of it, and using four bolts.

The housing can be installed to the exact location by fitting the spigot joint into the mounting hole.

Applications : Rotating drum, rotating roller, purposes excellent mounting accuracy is required

3 Stainless-series square-flanged type unit

Cylindrical bore (with set screws)...Bearing **UC2-S6** series are used.

UCSF2-H1S6

C, D : Pressed stainless steel cover type

UCSF-H1S6

In this superior waterproof and anticorrosion square-flanged type unit, bearing and housing are made of stainless steel. The unit is thinner than standard UCF series units, leading to downsizing of machinery. The housing can be installed to machines with four bolts.

Applications : Food machinery, agricultural machinery

3 Rhombic-flanged type units

1 Rhombic-flanged type units



UCFL, UCFL-E



UKFL

Cylindrical bore (with set screws)...Bearing **UC2 (X, 3)** series are used.

UCFL2 (X, 3) : Standard type, **L3** : Triple-lip seal type,
C, D (FC, FD) : Pressed steel cover type or cast iron cover type

UCFL2 (X) -E : Standard type, **L3** : Triple-lip seal type,

Cylindrical bore (with eccentric locking collar)

...Bearing **NA2** series are used.

NANFL2 : Standard type, **L3** : Triple-lip seal type

Tapered bore (with adapter)...Bearing **UK2 (X, 3)** series are used.

UKFL2 (X, 3) : Standard type, **L3** : Triple-lip seal type,
C, D (FC, FD) : Pressed steel cover type or cast iron cover type

NANFL

This bearing unit comprises the ball bearing for unit and the housing with rhombic flange. It is suitable to use on a vertical surface, such as the side of machinery. Compared to the square-flanged type unit, it requires less mounting space, and the unit weight is also reduced.

Since the pitches of the center of two mounting bolt holes on the rhombic-flanged type housing are the same as those of the center of bolt holes located opposite each other on the square-flanged housing, they are compatible.

The housing can be installed to machines with two bolts.
Applications : Roller conveyor, environment the mounting dimensions are small

(3 Rhombic-flanged type units)

2 Adjustable rhombic-flanged type unit



UCFA

Cylindrical bore (with set screws)...Bearing **UC2** series are used.
UCFA2 : Standard type, **L3** : Triple-lip seal type

This rhombic-flanged type unit allows angle adjustment with a supporting point as the shaft center. Therefore, when the bearing unit is installed, fine adjustment of supporting location for the shaft center is enabled.

Since the pitches of the center of mounting bolt holes on the housing are the same as those of the square-flanged type unit and rhombic-flanged type unit, they are compatible.

The housing can be installed to machines with two bolts.

3 Three-bolt flange type unit



UCFB

Cylindrical bore (with set screws)...Bearing **UC2** series are used.
UCFB2 : Standard type, **L3** : Triple-lip seal type,

The housing of this unit has the one-side rhombic flange, and the unit is suitable to use on a vertical surface and in a limited space, such as the side of machinery.

The housing can be installed to machines with three bolts.

4 Light duty rhombic-flanged type units



BLF

ALF

Cylindrical bore (with set screws)...Bearing **SB2** series are used.
BLF2

Cylindrical bore (with eccentric locking collar)

...Bearing **SA2** series are used.

ALF2

This rhombic-flanged type unit is designed for the aim of lightweight. The housing can be installed to machines with two bolts.

5 "Compact" series rhombic-flanged type unit



UFL

Cylindrical bore (with set screws)...Bearing **SU0** series are used.
UFL0

C, D : Rubber coating cover type

The small and lightweight rhombic-flanged type unit, comprising the ball bearing for unit for light load and the special lightweight alloy housing, needs not to be lubricated additionally.

The housing can be installed to machines with two bolts.

Applications : Machineries for light load

6 Stainless-series rhombic-flanged type units



UCSFL-H1S6



USFL-S6

Cylindrical bore (with set screws)

Standard... Bearing **UC2X (2) -S6** series are used.

UCSFL2X (2) -H1S6

C, D : Pressed stainless steel cover type

Compact... Bearing **SU0-S6** series are used.

USFL0-S6

C, D : Rubber coating cover type

This superior anticorrosion rhombic-flanged type unit comprises the bearing and housing made of stainless steel. The unit is thinner than standard UCFL series units, leading to downsizing of machinery.

The housing can be installed to machines with two bolts.

Applications : Food machinery, agricultural machinery

4 Round-flanged types with spigot joint

Round-flanged types with spigot joint



UCFC, UCFC-E



UKFC

Cylindrical bore (with set screws)... Bearing **UC2 (X)** series are used.

UCFC2 (X) : Standard type, **L3** : Triple-lip seal type,

C, D (FC, FD) : Pressed steel cover or cast iron cover type

UCFCX-E : Standard type, **L3** : Triple-lip seal type

Tapered bore (with adapter)... Bearing **UK2 (X)** series are used.

UKFC2(X) : Standard type, **L3** : Triple-lip seal type,

C, D (FC, FD) : Pressed steel cover or cast iron cover type

This bearing unit comprises the ball bearing for unit, round flange, and the housing with spigot joint on the mounting surface. The housing can be installed to machines by fitting the spigot joint into the mounting hole of machinery, and using four bolts.

The housing can be installed to the exact location by fitting the spigot joint into the mounting hole.

Applications : Rotating drum, rotating roller, purposes excellent mounting accuracy is required.

5 Pressed steel flange type units

1 Pressed steel round-flanged type units



SBPF

SAPF

Cylindrical bore (with set screws)... Bearing **SB2** series are used.

SBPF2

Cylindrical bore (with eccentric locking collar)

... Bearing **SA2** series are used.

SAPF2

This lightweight round-flanged type unit for light load comprises the ball bearing for lightweight unit and the pressed steel plate housing.

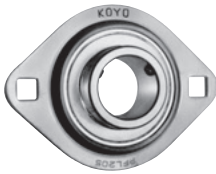
The housing can be installed to machines with three bolts.

Applications : Light duty conveyor, environment exposed to light load and low speed rotation

3 Types

(5 Pressed steel flange type units)

2 Pressed steel rhombic-flanged type units



SBPFL

SAPFL

Cylindrical bore (with set screws)...Bearing **SB2** series are used.
SBPFL2

Cylindrical bore (with eccentric locking collar)
...Bearing **SA2** series are used.

SAPFL2

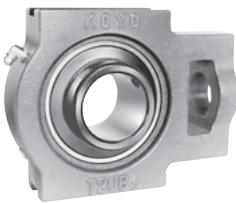
This lightweight rhombic-flanged type unit for light load comprises the ball bearing for lightweight unit and the pressed steel plate housing. Compared to the pressed steel round-flanged type unit, less mounting space is required.

The housing can be installed to machines with two bolts.

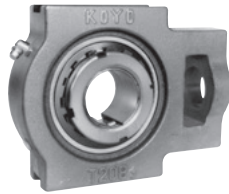
Applications : Light duty conveyor, environment exposed to light load and low speed rotation

6 Take-up type units

1 Take-up type units



UCT, UCT-E



UKT

Cylindrical bore (with set screws)...Bearing **UC2 (X, 3)** series are used.

UCT2 (X, 3) : Standard type, **L3** : Triple-lip seal type,
C, CD (FC, FCD) : Pressed steel cover or cast iron cover type

UCT2 (X) -E : Standard type, **L3** : Triple-lip seal type

Tapered bore (with adapter)...Bearing **UK2 (X, 3)** series are used.

UKT2(X, 3) : Standard type, **L3** : Triple-lip seal type,
C, CD (FC, FCD) : Pressed steel cover or cast iron cover type

The bearing unit comprises the ball bearing for unit and the housing with slide groove. This unit allows angle adjustment with a supporting point of the shaft center by moving the housing in radial direction along the slide groove.

Applications : Belt conveyor, use the supporting point of the shaft center must be adjusted

2 Stainless-series take-up type unit

Cylindrical bore (with set screws)...bearing **UC2-S6** series are used.

UCT2-H1S6

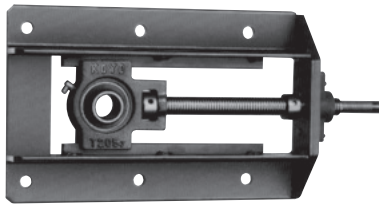
C, CD : Pressed stainless steel cover type

This superior anticorrosion take-up type unit comprises the bearing and the housing made of stainless steel. The unit is thinner than standard UCT series units, leading to downsizing of machinery.

Applications : Conveyor of food machinery, agricultural machinery

UCST-H1S6

3 Section steel frame take-up type unit



UCTH

Cylindrical bore (with set screws)...Bearing **UC2** series are used.

UCTH2 : Standard type, **L3** : Triple-lip seal type,

C, CD (FC, FCD) : Pressed steel or cast iron cover type

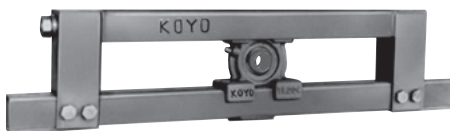
This unit comprises the take-up type unit, the section steel frame, adjuster bolt, and so on.

This unit allows adjustment of the supporting point of the shaft center by moving the housing in radial direction with the adjuster bolt on the unit.

The housing can be installed to machines with six bolts.

Applications : Belt conveyor, use the supporting point of the shaft center must be adjusted

4 Channel steel frame take-up type unit



UCTL

Cylindrical bore (with set screws)...Bearing **UC2 (3)** series are used.

UCTL2 : Standard type, **L3** : Triple-lip seal type,

C, CD (FC, FCD) : Pressed steel cover or cast iron cover type

UCTU2 (3) : Standard type, **L3** : Triple-lip seal type,

C, CD (FC, FCD) : Pressed steel cover or cast iron cover type

This unit comprises the take-up type unit, the channel steel frame, adjuster bolt, and so on. This unit allows adjustment of the supporting point of the shaft center by moving the housing in radial direction with the adjuster bolt in the frame.

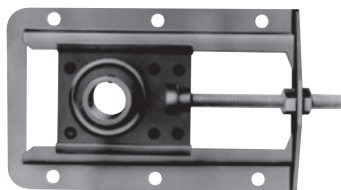
Since this unit is installed with the frame stood, the mounting space is reduced.

The TL lightweight type unit is made of light channel steel, and the TU highly rigid type unit is made of channel steel. The housing can be installed to machines with two or four bolts.

Tapered bore (with adapter) unit is also available (examples of nominal number : UKTL 207J-100, UKTU208J-500).

Applications : Belt conveyor, use the supporting point of the shaft center must be adjusted

5 Pressed steel frame take-up type unit



SBPTH

Cylindrical bore (with set screws)...Bearing **SB2** series are used.

SBPTH2

SBNPTH2

This unit comprises the pressed steel take-up type unit, the pressed steel frame, adjuster bolt, and so on. This unit allows adjustment of the supporting point of the shaft center by moving the housing in radial direction with the adjuster bolt in the frame.

Since the housing and the frame are made of pressed steel, the unit is compact and lightweight. The housing can be installed to machines with four or six bolts.

Applications : Small belt conveyor for lightload, use the supporting point of the shaft center must be adjusted

7 Other units

1 Cartridge type units



UCC



UKC

Cylindrical bore (with set screws)... Bearing **UC2 (X, 3)** series are used.

UC2 (X, 3) : Standard type, **L3** : Triple-lip seal type

Tapered bore (with adapter)... Bearing **UK2 (X, 3)** series are used.

UK2 (X, 3) : Standard type, **L3** : Triple-lip seal type

This unit comprises the ball bearing for unit and the housing with the cylindrical outside surface. The housing, having the grounded cylindrical outer surface, can be fit to the cylindrical bore of a machine.

The cartridge type unit, moving in axial direction, is used as the bearing for free side when a shaft is expanded or contracted.

The cylindrical outside surface and the automatic aligning mechanism allow handling similar to standard automatic aligning type bearing.

2 Hanger type unit



UCHA

Cylindrical bore (with set screws)... Bearing **UC2** series are used.

UCHA2 : Standard type, **L3** : Triple-lip seal type

The bearing unit comprises the ball bearing for unit and the housing with parallel thread for pipe on one side. The compact housing is installed to machinery with suspended with steel pipe.

Applications : Intermediate bearing of screw conveyor

8 Ball bearings for units

1 UC type bearing



UC

Cylindrical bore (with set screws)

UC2 (X, 3)...Standard type

UC2 (X, 3) L3...Triple-lip seal type

UC2-S6...Stainless steel series

This grease sealed type deep groove ball bearing incorporates the outer ring with the spherical outside surface and lubricating mechanism and wide inner ring with cylindrical bore set screw. Two types, standard type (oil seal and flinger are included) and triple-lip seal type (supplementary code : L3), are available, depending on the type of sealing device.

It can be fixed to shaft with two set screws on the inner ring. It is the most typical type in ball bearings for unit.

The UC2-S6 series are superior waterproof and anticorrosive ball bearings for unit. The bearing is made of stainless steel, and the series are used for stainless-series units.

As for the types and features of set screw for UC type bearing, see "14 Handling".

2 UK type bearing



UK

Tapered bore (with adapter)

UK2 (X, 3)...Standard type

UK2 (3) L3...Triple-lip seal type

This grease sealed type deep groove ball bearing incorporates the outer ring with the spherical outside surface and lubricating mechanism and wide inner ring with tapered bore. Two types, standard type (oil seal and flinger are included) and triple-lip seal type (supplementary code : L3), are available, depending on the type of sealing device.

It can be fixed to shaft with the adapter. The UK type bearing (with adapter) is optimal for use of long shaft.

As for the UK type bearing, applicable adapter assembly number should be added to the bearing number.

3 NA type ball bearing



NA

Cylindrical bore (with eccentric locking collar)

NA2

This type is based on the UC type bearing having set screw, but equipped with the eccentric locking collar. The grease sealed type deep groove ball bearing incorporates the spherical outside surface outer ring with lubricating mechanism and the cylindrical bore, wide inner ring, and eccentric locking collar with eccentric section on one side. The sealing device is equipped with the oil seal and flinger.

When fixing the bearing to shaft, fit the eccentric recessed section of the eccentric locking collar to the eccentric section of the inner ring, turn the eccentric locking collar to fix it to shaft, and tighten the set screw of the eccentric locking collar to shaft.

4 SB type bearing



SB

Cylindrical bore (with set screws)

SB2

This is the lightweight UC type bearing. The non-lubricating type grease sealed deep groove ball bearing incorporates the spherical outside surface outer ring and the wide inner ring with cylindrical bore set screw. When fixing it to shaft, use the two set screws on the inner ring.

It is used for lightweight unit or pressed steel unit.

5 SA type bearing



SA

SA-F

Cylindrical bore (with eccentric locking collar)

SA2, SA2-F

This type is based on the SB type bearing having set screw, but equipped with the eccentric locking collar. The non-lubricating type grease sealed type deep groove ball bearing incorporates the spherical outside surface outer ring and the cylindrical bore, wide inner ring, and eccentric locking collar with eccentric section on one side.

When fixing the bearing to shaft, fit the eccentric recessed section of the eccentric locking collar to the eccentric section of the inner ring, turn the eccentric locking collar to fix it to shaft, and tighten the set screw of the eccentric locking collar to shaft.

(SA-F type bearing has lubricating mechanism on outer ring.)

It is used for lightweight unit or pressed steel unit.

(8 Ball bearing for units)

6 SU type bearing (“compact” series)



SU

Cylindrical bore (with set screws)

SU0...Standard type

SU0-S6...Stainless steel

The bearing series intended for light load is suitable for downsizing and weight saving.

The non-lubricating type grease sealed deep groove ball bearing incorporates the spherical outside surface outer ring and the wide inner ring with cylindrical bore set screw. When fixing it to shaft, use the two set screws on the inner ring.

The SU0-S6 type bearing for unit, made of stainless steel, is superior in corrosion resistance, and used for stainless-series units.

7 ER type bearing



ER

Cylindrical bore (with set screws), cylindrical outside surface, lubricating mechanism, locating snap ring and snap ring groove

ER2

The grease sealed type deep groove ball bearing incorporates the spherical outside surface with lubricating mechanism and set screw, the wide inner ring with cylindrical bore set screw. When fixing it to shaft, use the two set screws on the inner ring.

It features lubricating mechanism, set screw (easy to locate bearing), clearance fit of inner ring and shaft (easy to install). Therefore, it can be used for various purposes in a similar way to standard bearings.

8 RB type bearing



RB

Cylindrical bore (with set screws), cylindrical outside surface

RB2

This bearing is based on the ER type bearing, but without the lubricating mechanism and locating snap ring and snap ring groove. The grease sealed deep groove ball bearing incorporates the spherical outside surface outer ring and the wide inner ring with cylindrical bore set screw. When fixing it to shaft, use the two set screws on the inner ring.

Since clearance fit may be used for installation of the inner ring to shaft (easy to install), it can be used for various purposes in a similar way to standard bearings.

3.3 Unit for special use

To meet with requests for varied and special purposes, JTEKT supplies ball bearing series for special use with various features, as well as standard types. If you use ball bearing units under special environment or conditions, select optimal type among ball bearing units for special use.

JTEKT produces bearing units in various forms and specifications, other than units for special use. Contact JTEKT, if you need them.

1 Triple-lip seal unit (supplementary code : L3)

Triple-lip seal has the structure in which the triple-lip oil seal is glued to the pressed steel shield plate with vulcanized adhesive. The triple-lip eliminates ingress of dusts and mud water into bearing to ensure long service life of the bearing even under severe environmental conditions.

Since the triple-lip seal is fit to the outer ring of the bearing, the triple-lip seal bearing unit can be handled in the same manner as the standard types. The triple-lip seal unit does not lead to uneven contact of the shaft with seal while the bearing is aligned unlike the unit with cover, and maintains stable sealing performance for a long time.

The triple-lip seal unit is the outstanding product that defects of conventional dust and water preventive unit are improved to realize energy-saving and low cost. The triple-lip seal is applicable to the UC type bearing and the UK type bearing.

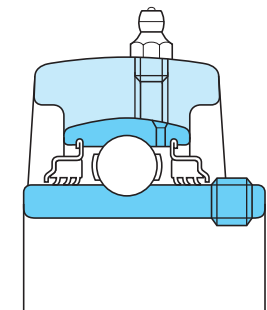


Fig. 3.1 Structure of triple-lip seal unit

2 Unit with cover (supplementary code : C, D, FC, FD)

The unit with cover is equipped with the standard type housing and the pressed steel cover or cast iron cover, and features the double sealing structure of bearing and housing. The unit ensures a long service life of bearing even under severe environmental conditions such as dusts and mud water.

The unit with cover is available in two types : open ends type C type, FC type, closed end type D type, and FD type (for pillow block type unit, CD type or FCD type).

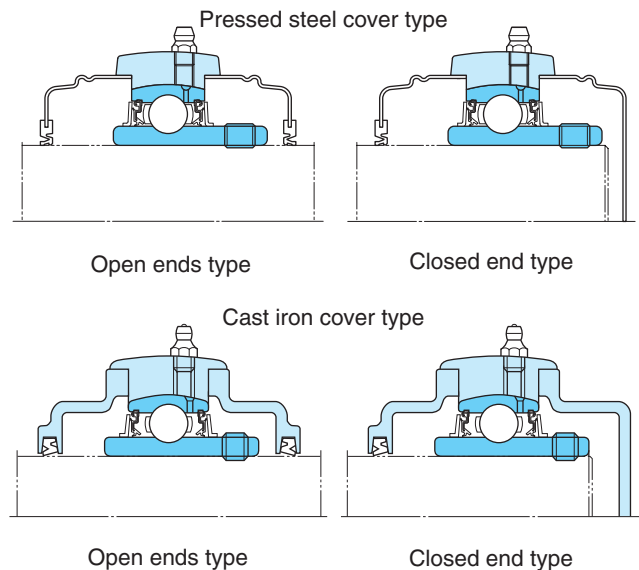


Fig. 3.2 Type and structure of unit with cover

3 Heat resistant unit (special code : D1K2) and Cold resistant unit (special code : D2K2)

The operating temperature range of a ball bearing unit depends on the performance of grease and oil seal (rubber) used for the bearing. The operating temperature range of Koyo Ball Bearing unit (standard type) ranges from -20°C to 100°C .

If you use bearing units in the higher or lower temperature range beyond the operating temperature range of standard type, select the heat resistant (special code : D1K2) or the cold resistant unit (special code : D2K2).

Specifications of the heat resistant unit and the cold resistant unit are shown in Table 3.3.

Table 3.3 Specifications of heat resistant unit and cold resistant unit

Category	Special code	Operating temperature range ($^{\circ}\text{C}$)	Grease	Oil seal rubber material	Bearing internal clearance	
					UC type	UK type
Standard	(no code)	-20 to 100	Alvania No. 2 or equivalence (lithium soap)	Nitrile	CN	C3
Heat resistant	D1K2	-40 to 180	SH44M (lithium soap)	Silicone	C4	C5
Cold resistant	D2K2	-50 to 120	SH33M (lithium soap)	Silicone	CN	C3

4 High speed unit (special code : K3)

The high speed unit (special code : K3) is the product that has been developed for intention of high speed and less heat. For the high speed unit bearing, the non-contact type oil seal optimal for high speed rotation and low torque is used.

This unit is intended for the purposes high speed rotation, low torque, and less heat are required, such as textile machinery and printing machinery.

5 Unit for blower (special code : S5)

The ball bearing unit for blower must meet requests for high speed rotation, less heat, less vibration, and low noise.

To meet with these requests for performance, JTEKT supplies the series of unit for blower (special code : S5) that the non-contact type oil seal is used, as well as improves the machining accuracy.

This unit is intended for the purposes high speed rotation, less heat, less vibration, low noise are required, such as a blower.

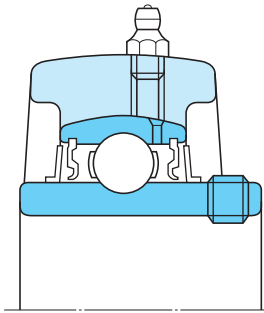


Fig. 3.3 Structure of bearing unit for blower

6 “Compact” series unit

For downsizing of machinery in facilities, the set screw method facilitating installation of the shaft is adopted for this unit.

The unit comprises the compact bearing and the special alloy housing.

Since the cover surface is coated with rubber, it contacts close with the housing well, and features superior dustproof and waterproof performance.

Operating temperature range : Standard temperature

7 Stainless-series unit (special code : S6)

The ball bearing units used for food machinery need waterproof performance.

For this purpose, JTEKT has released a series of Ball Bearing units of which bearings and housings are made of stainless steel in order to satisfy the required performance.

We can also provide bearing units packing grease applicable to use related to food certified by USDA (US Agriculture Department) H1.

Operating temperature range : From $-20\text{ }^{\circ}\text{C}$ to $+100\text{ }^{\circ}\text{C}$

* If you use this unit for machines splashed with water or in the environment that the operating temperature exceeds $50\text{ }^{\circ}\text{C}$, it is recommended you use UC-S6 to be able to be lubricated for SU-S6.

4 Selection of unit

4.1 Outline of selection

Koyo Ball Bearing Units are available in various types and series. Therefore, to select the bearing unit optimal for design of machinery, various factors including the structure of machinery, operating conditions, performance required

for bearing unit, specifications relative to the unit, marketability, and economic efficiency, must be comprehensively taken into consideration. Service life of the bearing greatly depends on the quality of selection.

Procedures of selection of standard ball bearing units are shown in **Table 4.1**.

Table 4.1 Procedures of selection of standard ball bearing units

Procedures of selection	Items to be examined	Operating conditions to be considered	Reference
1 Selection of type	<ul style="list-style-type: none"> · Pillow block type · Flange type · Take-up type · Cartridge type · Hanger type 	Structure of machinery, mounting space, mounting dimensions	3 Types (P.12)
2 Selection of shaft dia. and dia. series	<ul style="list-style-type: none"> · Bearing bore dia. : From 10 to 140 mm · Dia. series : 0, 2, X, 3 	Rating life of bearings required, load applied to bearings, rotational speed	5 Life of bearing (P.30) 6 Bearing load (P.35) 7 Allowable rotational speed (P.42)
3 Selection against atmosphere	<ul style="list-style-type: none"> · L3 type · Cover type · Stainless steel series · For high speed use · For blower 	Environment (dusts, mud water, high humidity, chemicals), rotational speed	3 Types (P.12) (P.25) 7 Allowable rotational speed (P.42)
4 Selection against temperature	<ul style="list-style-type: none"> · Heat resistant type · Cold resistant type · Measures against expansion and contraction of shaft · Grease supply 	Bearing temperature	3 Types (P.12) (P.25) 8 Operating temperature and bearing specifications (P.43) 10 Design of shaft and base (P.49) 14 Handling (P.63)
5 Selection of installing to shaft	<ul style="list-style-type: none"> · Set screw · Adapter · Eccentric locking collar 	Rotational speed, load conditions, handling	3 Types (P.12) 14 Handling (P.63)
6 Selection of shafts	<ul style="list-style-type: none"> · Dimensional tolerance · Adoption of shouldered shaft · Provision of set screw for shaft · Measures against expansion and contraction of shaft 	Rotational speed, load conditions, bearing temperature	3 Types (P.12) (P.25) 7 Allowable rotational speed (P.42) 10 Design of shaft and base (P.49) 14 Handling (P.63)
7 Selection of strength of housings	<ul style="list-style-type: none"> · Cast iron · Cast steel · Pressed steel 	Load conditions, load directions, presence of impact	9 Strength of housing (P.44)
8 Selection of lubrication	<ul style="list-style-type: none"> · Lubricating type · Non-lubricating type · Centralized lubricating type · Greasing interval 	Environment, importance of machine, bearing temperature, grease life	14 Handling (P.63)
9 Selection of maintenance and check	<ul style="list-style-type: none"> · Periodic inspection · Grease supply 	Environment, importance of machine, bearing temperature, grease life	14 Handling (P.63)

4 Selection of unit

4.2 Selection of type and specifications

Koyo Ball Bearing Units series are available in various types and specifications applicable to your purposes. Therefore, when selecting types and specifications of

bearing unit, structure of machine, operating conditions, and environment must be fully taken into consideration for comprehensive examination.

Outline of selection of ball bearing unit types and specifications are shown in **Table 4.2**.

Table 4.2 (1) Outline of selection of ball bearing unit types and specifications

○ : Acceptable or Yes, × : Unacceptable or No

Category	Performance required		Bearing specifications			Applicable housing
	Operating conditions	Fixing to shaft	Sealing structure	Type code	Lubrication	
Bearing	Standard	Set screw Adapter	Oil seal and flinger	UC UK	○	C, F, FA, FB, FC, FL, FS, HA, IP, P, PA, PH, T, TH, TL, TU
		Eccentric locking collar		NA		
	Dustproof and waterproof	Set screw Adapter	Triple-lip seal	UC-L3 UK-L3	○	C, F, FA, FB, FC, FL, FS, HA, IP, P, PA, PH, T, TH, TL, TU
	Lightweight "Compact"	Set screw	Oil seal	SA, SB	×	LF, LP, PF, PFL, PP, PTH, NPTH FL0, P0
		Set screw		SU		
	Anticorrosion	Set screw	Oil seal and flinger	UC-S6	○	SFL-H1, SP-H1
	Anticorrosion and compact		Oil seal	SU-S6	×	SFL0, SP0
	Heat resistant Cold resistant For high speed For blower	Set screw Adapter	Oil seal and flinger	UC UK	○	C, F, FA, FB, FC, FL, FS, HA, IP, P, PA, PH, T

Table 4.2 (2) Outline of selection of ball bearing unit types and specifications

Category	Performance required		Housing specifications				Applicable bearing
	Type	Operating conditions	Type code	Material	Presence of cover	Lubrication	
Housing	Pillow block type	Standard	P	Cast iron	○	○	UC (-L3), UK (-L3)
		Thick section (highly strong)	IP	Cast iron			
		Tapped-base	PA	Cast iron	×	○	UC (-L3)
		Higher centerheight	PH				
		Light duty	LP				
		"Compact"	P0	Special light alloy	○	○	SU
		Anticorrosion	SP-H1	Stainless steel			
		Anticorrosion and compact	SP0	Stainless steel	×	×	SU-S6
	Pressed steel	PP	Pressed steel				
	Flange type	Square	F	Cast iron	○	○	UC (-L3), UK (-L3)
		With spigot joint (square) (round)	FS				
			FC				
		Rhombic	FL	Cast iron	×	○	UC (-L3)
		Shaft alignment (adjustable rhombic)	FA				
Cantilever (deformed)		FB					
Light duty (rhombic)		LF	Cast iron	×	×	SB	
"Compact" (rhombic)		FL0	Special light alloy				
Anticorrosion (rhombic)	SFL-H1	Stainless steel	○	○	UC-S6		
Anticorrosion and compact (rhombic)	SFL0	Stainless steel					

Table 4.2 (2) Outline of selection of ball bearing unit types and specifications

Category	Performance required		Housing specifications				Applicable bearing
	Type	Operating conditions	Type code	Material	Presence of cover	Lubrication	
Housing	Flange type	Pressed steel (round) (rhombic)	PF PFL	Pressed steel	×	×	SB
	Take-up type	Standard	T	Cast iron	○	○	UC (-L3), UK (-L3)
		Section steel frame type	TH	Cast iron	○	○	UC (-L3)
		Channel steel frame type	TL	Cast iron	○	○	UC (-L3), UK (-L3)
			TU				
	Pressed steel frame type	PTH NPTH	Pressed steel	×	×	SB	
	Cartridge type	Standard	C	Cast iron	×	○	UC (-L3), UK (-L3)
Hanger type	Standard	HA	Cast iron	×	○	UC (-L3)	

4.3 Selection from a maintenance standpoint

Koyo Ball Bearing Units need not to be maintained or checked for standard purposes during operation, because of their structures. However, they must be periodically maintained or checked if they are used for important machines or under special environment.

Thus, it is important that intervals of periodic maintenance or check during operation are extended or ball bearing units optimal for purposes or operating conditions are selected in order to reduce the manpower required for maintenance and check.

For your purposes, various factors must be fully examined. In the environment exposed to vibration or impact, increase in safety factor of service life of the bearing, and strength of the housing must be fully examined. In the environment exposed to great axial load, use of shouldered shaft, in the environment exposed to dusts or mud water, use of the triple-lip seal type or covered type, in the environment exposed to high or low temperature, material of oil seal and grease type must be fully taken into consideration.

5 Life of bearing

If a ball bearing unit is installed to a machine or device and operated, vibration or noise from the unit may be increased or seizure may occur, after a certain period has passed, even under appropriate conditions. The period of bearing operation until the unit cannot be used due to these causes is called the life of ball bearing unit.

Life of a ball bearing unit is caused by two reasons, fatigue of bearing material (fatigue service life) and degradation of grease leading to faulty lubrication, and inability of continuous use. Each of them can be found as the rating life of bearing and grease life.

The life of ball bearing unit depends on the shorter one, between the rating life of bearing and grease life. Since the lubricating system is adopted for the Koyo Ball Bearing Unit, the grease life can be extended to the rating life of bearing by appropriate lubrication. If the bearing unit is used without lubrication, the shorter period, the rating life of bearing or grease life, is the life of the bearing unit.

However, a ball bearing unit is actually installed to a machine or device and operated, the unit cannot be used due to causes other than the rating life of bearing or grease service life (wear, dent, crack, seizure, etc.). They can be prevented by full examination of the selection, handling, installation, and lubrication of the ball bearing unit.

5.1 Basic rating life and basic rating load

5.1.1 Basic rating life

While a bearing is rotated under load, the raceways surfaces of the inner and outer rings of bearing and the rolling surfaces of rolling element are exposed to load continuously. Thus, damages like scales appear on the raceway surfaces or rolling surfaces due to fatigue of material (flaking or peel-off). The total number of revolution until the damages appear is called as “(Fatigue) service life” of bearing. Fatigue service life of bearing may be greatly varied even if the bearings having the same structure, dimensions, materials, and machining methods, are operated under the same operating conditions.

To solve this problem, if a group of the same bearings are operated under the same conditions, the total number of revolution of 90% of the bearings without damage due to rotating fatigue (life of 90% reliability) is called as the “Basic rating life of bearing”.

5.1.2 Basic rating load

Basic rating load indicates the withstanding strength against rolling fatigue of a bearing, that is to say, loading capacity. It is the pure radial load of a certain level and direction (for radial bearing) or central axial load (for thrust bearing) that a million times of rotations can be obtained as the basic rating life if the inner ring of bearing is rotated while the outer ring is stopped (or the outer ring is rotated while the inner ring is stopped).

They are called as the **basic dynamic radial load rating** (C_r) for radial bearing or the **basic dynamic axial load rating** (C_a) for axial bearings.

In the ball bearing for ball bearing unit, it is indicated as the basic dynamic radial load rating (C_r), and the value is shown in the dimensional table.

5.2 Calculation of rating life

Relation between the basic rating life, basic dynamic load rating, and the dynamic equivalent load of the ball bearing for ball bearing unit can be indicated as the **Equation (5.1)**. If the ball bearing unit is used at a fixed rotational speed, it is convenient that the life is indicated as time, as shown in the **Equation (5.2)**.

$$\text{(Total revolution)} \quad L_{10} = \left(\frac{C_r}{P_r}\right)^3 \dots\dots\dots (5.1)$$

$$\text{(Time)} \quad L_{10h} = \frac{10^6}{60n} \left(\frac{C_r}{P_r}\right)^3 \dots\dots\dots (5.2)$$

Whereas,

L_{10} : Basic rating life	10^6 rotations
L_{10h} : Basic rating life	h
C_r : Basic dynamic load rating	N
P_r : Dynamic equivalent load (see “6 Bearing load”)	N
n : Rotational speed	min^{-1}

Calculation of the basic rating life with using the life factor (f_h) and the speed factor (f_n) in the **Equation (5.2)** are shown below.

$$L_{10h} = 500 f_n^3 \dots\dots\dots (5.3)$$

$$\text{Life factor} \quad f_h = f_n \cdot \frac{C_r}{P_r} \dots\dots\dots (5.4)$$

$$\begin{aligned} \text{Speed factor} \quad f_n &= \left(\frac{10^6}{500 \times 60n}\right)^{1/3} \\ &= (0.03n)^{-1/3} \dots\dots\dots (5.5) \end{aligned}$$

Values of f_n , f_h and L_{10h} can be easily found by the nomogram of **Fig. 5.1**.

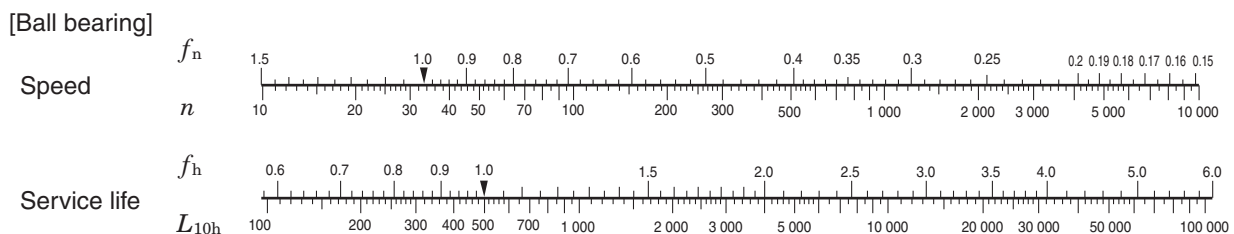


Fig. 5.1 Rotational speed (n) and its coefficients (f_n), and service life coefficient (f_h) and basic rating life (L_{10h})

5.2.1 Correction of basic rating load for high temperature use

If a ball bearing unit is used at a high temperature, structure of bearing material is changed, leading to decreased hardness, and the basic dynamic load rating is reduced than that of the use at standard temperature. Once the structure of bearing material is changed, it will not be restored even if the temperature returns to standard level.

Therefore, when using a ball bearing unit at 150 °C or more, the basic rating load must be corrected by multiplying the basic dynamic load rating shown in dimensional table by the temperature factor shown in **Table 5.1**.

If the ball bearing unit has been used for a long period at 120 °C or more, fluctuations in dimensions of the bearing may be increased. If you use it under such conditions, contact JTEKT.

Table 5.1 Temperature factor

Bearing temperature, °C	125	150	175	200	250
Temperature factor	1	1	0.95	0.90	0.75

5.2.2 Modified rating life L_{nm}

The life of rolling bearings was standardized as a basic rating life in the 1960s, but in actual applications, sometimes the actual life and the basic rating life have been quite different due to the lubrication status and the influence of the usage environment. To make the calculated life closer to the actual life, a corrected rating life has been considered since the 1980s. In this corrected rating life, bearing characteristic factor a_2 (a correction factor for the case in which the characteristics related to the life are changed due to the bearing materials, manufacturing process, and design) and usage condition factor a_3 (a correction factor that takes into account usage conditions that have a direct influence on the bearing life, such as the lubrication) or factor a_{23} formed from the interdependence of these two factors, are considered with the basic rating life. These factors were handled differently by each bearing manufacturer, but they have been standardized as a modified rating life in **ISO 281** in 2007. In 2013, **JIS B 1518** (dynamic load ratings and rating life) was amended to conform to the **ISO**.

The basic rating life (L_{10}) shown in **Equation (5.1)** is the (fatigue) life with a dependability of 90 % under normal usage conditions for rolling bearings that have standard factors such as internal design, materials, and manufacturing quality. **JIS B 1518:2013** specifies a calculation method based on **ISO 281:2007**. To calculate accurate bearing life under a variety of operating conditions, it is necessary to consider elements such as the effect of changes in factors that can be anticipated when using different reliabilities and system approaches, and interactions between factors. Therefore, the specified calculation method considers additional stress due to the lubrication status, lubricant contamination, and fatigue load limit C_u (refer to P.33) on the inside of the bearing. The life that uses this life modification factor a_{ISO} , which considers the above factors, is called modified rating life L_{nm} and is calculated with the following **Equation (5.6)**.

$$L_{nm} = a_1 a_{ISO} L_{10} \dots\dots\dots (5.6)$$

In this equation,

L_{nm} : Modified rating life 10⁶ rotations

This rating life has been modified for one of or a combination of the following: reliability of 90 % or higher, fatigue load limit, special bearing characteristics, lubrication contamination, and special operating conditions.

L_{10} : Basic rating life 10⁶ rotations
(reliability: 90 %)

a_1 : Life modification factor for reliability
..... refer to section (1)

a_{ISO} : Life modification factor
..... refer to section (2)

[Remark] When bearing dimensions are to be selected given L_{nm} greater than 90 % in reliability, the strength of shaft and housing must be considered.

(1) Life modification factor for reliability a_1

The term “reliability” is defined as “for a group of apparently identical rolling bearings, operating under the same conditions, the percentage of the group that is expected to attain or exceed a specified life” in **ISO 281:2007**. Values of a_1 used to calculate a modified rating life with a reliability of 90 % or higher (a failure probability of 10 % or less) are shown in **Table 5.2**.

Table 5.2 Life modification factor for reliability a_1

Reliability, %	L_{nm}	a_1
90	L_{10m}	1
95	L_{5m}	0.64
96	L_{4m}	0.55
97	L_{3m}	0.47
98	L_{2m}	0.37
99	L_{1m}	0.25
99.2	$L_{0.8m}$	0.22
99.4	$L_{0.6m}$	0.19
99.6	$L_{0.4m}$	0.16
99.8	$L_{0.2m}$	0.12
99.9	$L_{0.1m}$	0.093
99.92	$L_{0.08m}$	0.087
99.94	$L_{0.06m}$	0.080
99.95	$L_{0.05m}$	0.077

(Citation from **JIS B 1518:2013**)

(2) Life modification factor a_{ISO}

a) System approach

The various influences on bearing life are dependent on each other. The system approach of calculating the modified life has been evaluated as a practical method for determining life modification factor a_{ISO} (ref. Fig. 5.2). Life modification factor a_{ISO} is calculated with the following equation. A diagram is available for each bearing type (radial ball bearings, radial roller bearings, thrust ball bearings, and thrust roller bearings). (Each diagram (Figs. 5.3 to 5.6) is a citation from JIS B 1518:2013.)

Note that in practical use, this is set so that life modification factor $a_{ISO} \geq 50$.

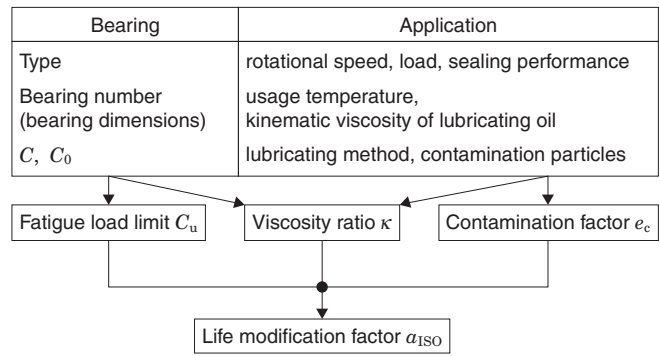


Fig. 5.2 System approach

$$a_{ISO} = f\left(\frac{e_c C_u}{P}, \kappa\right) \dots\dots\dots (5.7)$$

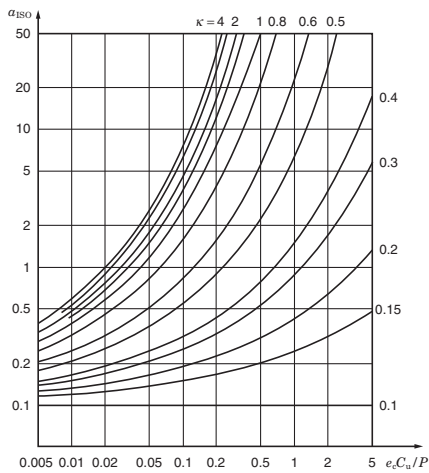


Fig. 5.3 Life modification factor a_{ISO} (Radial ball bearings)

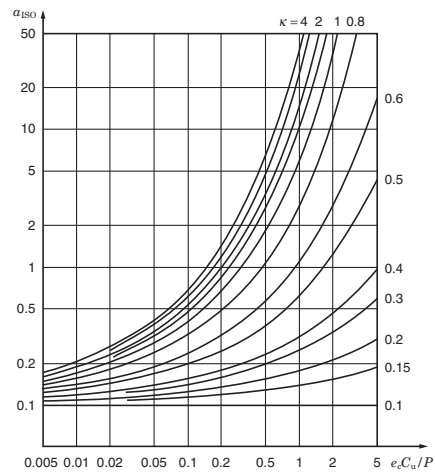


Fig. 5.4 Life modification factor a_{ISO} (Radial roller bearings)

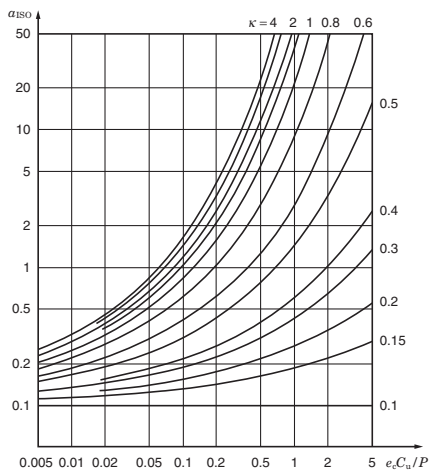


Fig. 5.5 Life modification factor a_{ISO} (Thrust ball bearings)

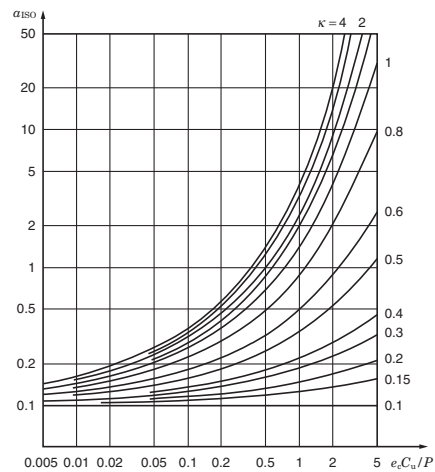


Fig. 5.6 Life modification factor a_{ISO} (Thrust roller bearings)

(Figs. 5.3 to 5.6 Citation from JIS B 1518:2013)

b) Fatigue load limit C_u

For regulated steel materials or alloy steel that has equivalent quality, the fatigue life is unlimited so long as the load condition does not exceed a certain value and so long as the lubrication conditions, lubrication cleanliness class, and other operating conditions are favorable. For general high-quality materials and bearings with high manufacturing quality, the fatigue stress limit is reached at a contact stress of approximately 1.5 GPa between the raceway and rolling elements. If one or both of the material quality and manufacturing quality are low, the fatigue stress limit will also be low.

The term “fatigue load limit” C_u is defined as “bearing load under which the fatigue stress limit is just reached in the most heavily loaded raceway contact” in ISO 281: 2007. and is affected by factors such as the bearing type, size, and material.

For details on the fatigue load limits of special bearings and other bearings not listed in this catalog, contact JTEKT.

c) Contamination factor e_c

If solid particles in the contaminated lubricant are caught between the raceway and the rolling elements, indentations may form on one or both of the raceway and the rolling elements. These indentations will lead to localized increases in stress, which will decrease the life. This decrease in life attributable to the contamination of the lubricant can be calculated from the contamination level as contamination factor e_c .

D_{pw} shown in this table is the pitch diameter of ball/roller set, which is expressed simply as $D_{pw} = (D + d)/2$. (D : Outside diameter, d : Bore diameter)

For information such as details on special lubricating conditions or detailed investigations, contact JTEKT.

d) Viscosity ratio κ

The lubricant forms an oil film on the roller contact surface, which separates the raceway and the rolling elements. The status of the lubricant oil film is expressed by viscosity ratio κ , the actual kinematic viscosity at the operating temperature ν divided by the reference kinematic viscosity ν_1 as shown in the following equation.

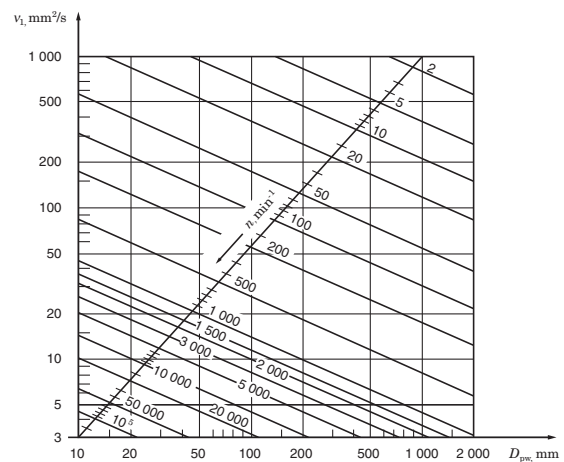
A κ greater than 4, equal to 4, or less than 0.1 is not applicable.

For details on lubricants such as grease and lubricants with extreme pressure additives, contact JTEKT.

$$\kappa = \frac{\nu}{\nu_1} \dots\dots\dots (5.8)$$

ν : Actual kinematic viscosity at the operating temperature; the viscosity of the lubricant at the operating temperature

ν_1 : Reference kinematic viscosity; determined according to the speed and pitch diameter of ball/roller set D_{pw} of the bearing (ref. Fig. 5.7)



(Fig. 5.7 Citation from JIS B 1518:2013)
Fig. 5.7 Reference kinematic viscosity ν_1

5.2.3 Service life of bearing system comprising two or more bearings

Even for systems which comprise two or more bearings, if one bearing is damaged, the entire system malfunctions.

Where all bearings used in an application are regarded as one system, the service life of the bearing system can be calculated using the following equation,

Table 5.3 Values of contamination factor e_c

Contamination level	e_c	
	$D_{pw} < 100 \text{ mm}$	$D_{pw} \geq 100 \text{ mm}$
Extremely high cleanliness: The size of the particles is approximately equal to the thickness of the lubricant oil film, this is found in laboratory-level environments.	1	1
High cleanliness: The oil has been filtered by an extremely fine filter, this is found with standard grease-packed bearings and sealed bearings.	0.8 to 0.6	0.9 to 0.8
Standard cleanliness: The oil has been filtered by a fine filter, this is found with standard grease-packed bearings and shielded bearings.	0.6 to 0.5	0.8 to 0.6
Minimal contamination: The lubricant is slightly contaminated.	0.5 to 0.3	0.6 to 0.4
Normal contamination: This is found when no seal is used and a coarse filter is used in an environment in which wear debris and particles from the surrounding area penetrate into the lubricant.	0.3 to 0.1	0.4 to 0.2
High contamination: This is found when the surrounding environment is considerably contaminated and the bearing sealing is insufficient.	0.1 to 0	0.1 to 0
Extremely high contamination	0	0

(Table 5.3 Citation from JIS B 1518:2013)

5 Life of bearing

$$\frac{1}{L^e} = \frac{1}{L_1^e} + \frac{1}{L_2^e} + \frac{1}{L_3^e} + \dots \quad (5.9)$$

where :

L : rating life of system

$L_1, L_2, L_3 \dots$: rating life of each bearing

e : constant

$$\left(\begin{array}{l} e = 10/9 \dots \text{ball bearing} \\ e = 9/8 \dots \text{roller bearing} \\ \text{The mean value is for a system using} \\ \text{both ball and roller bearings.} \end{array} \right)$$

[Example]

When a shaft is supported by two roller bearings whose service lives are 50 000 hours and 30 000 hours respectively, the rating life of the bearing system supporting this shaft is calculated as follows, using **Equation (5.9)** :

$$\frac{1}{L^{9/8}} = \frac{1}{50\,000^{9/8}} + \frac{1}{30\,000^{9/8}}$$

$$L \doteq 20\,000 \text{ h}$$

The equation suggests that the rating life of these bearings as a system becomes shorter than that of the bearing with the shorter life.

This fact is very important in estimating bearing service life for applications using two or more bearings.

5.2.4 Recommended service life of bearing

Excessively long life of ball bearing unit does not lead to economic operation. Setup of the recommended service life of bearing unit depending on the type of machine the ball bearing unit is used together and operating conditions is required.

Recommended service life of ball bearing unit empirically adopted is shown in **Table 5.4**.

Table 5.4 Recommended service life of ball bearing unit (reference)

Operating conditions	Application	Recommended service life, h
Operated in short period or intermittently	Home electric appliances, electric tool, agricultural machinery, hoist, etc.	4 000 – 8 000
Discontinuously but for a long period	Factory motor, general gear, etc.	12 000 – 20 000
Always operated for 8 hours or longer a day or operated continuously for a long period	General machinery, blower, etc.	20 000 – 30 000
Operated continuously for 24 hours, no fault is allowed	Electric power plant facility, mine drainage facility, etc.	100 000 – 200 000

5.3 Grease life

Grease life of a ball bearing for ball bearing unit is influenced by the level of load, rotational speed of bearing, and operating temperature.

Grease life of a ball bearing for unit used under appropriate operating conditions can be found by the equation shown below.

$$\log L = 6.10 - 4.40 \times 10^{-6} d_m n - 2.50 \left(\frac{P_r}{C_r} - 0.05 \right) - (0.021 - 1.80 \times 10^{-8} d_m n) T \quad (5.10)$$

Whereas,

L : Grease life h

d_m : Pitch dia. of ball set mm

$$d_m = \frac{(D + d)}{2}$$

$\left(\begin{array}{l} D : \text{Nominal bearing outer dia.,} \\ d : \text{Nominal bearing bore dia.} \end{array} \right)$

n : Rotational speed of bearing min^{-1}

P_r : Dynamic equivalent radial load N
(see “**6 Bearing load**”)

C_r : Basic dynamic radial load rating of bearing N

T : Operating temperature of bearing $^{\circ}\text{C}$

Applicable conditions for the **Equation (5.10)** are shown below.

1) Operating temperature of bearing : T $^{\circ}\text{C}$

To be applied if the following condition is satisfied :
 $T \leq 100$

$\left(\begin{array}{l} \text{If } T \text{ is smaller than } 50 (T < 50), \\ \text{following condition should be applied : } T = 50. \end{array} \right)$

If T is larger than 100 ($T > 100$), contact JTEKT.

2) Rotational speed of bearing : $d_m n$

To be applied if the following condition is satisfied :
 $d_m n \leq 30 \times 10^4$

$\left(\begin{array}{l} \text{If } d_m n \text{ is smaller than } 12.5 \times 10^4 (d_m n < 12.5 \times 10^4), \\ \text{following condition should be applied :} \\ d_m n = 12.5 \times 10^4 \end{array} \right)$

If $d_m n$ is larger than 30×10^4 ($d_m n > 30 \times 10^4$), contact JTEKT.

3) Load condition of bearing : $\frac{P_r}{C_r}$

To be applied if the following condition is satisfied :
 $\frac{P_r}{C_r} \leq 0.2$

$\left(\begin{array}{l} \text{If } \frac{P_r}{C_r} \text{ is smaller than } 0.05 \left(\frac{P_r}{C_r} < 0.05 \right), \\ \text{following condition should be applied : } \frac{P_r}{C_r} = 0.05 \end{array} \right)$

If $\frac{P_r}{C_r}$ is larger than 0.2 ($\frac{P_r}{C_r} > 0.2$), contact JTEKT.

Reference figure of grease life obtained by the **Equation (5.10)** is shown in **Fig. 5.8**.

6 Bearing load

As for the loads applied to a bearing, load caused by weight of object supported by the bearing, transmitting force of gears and belts, load generated in the machine operated are included. In many cases, these loads cannot be found out by simple calculation.

Because the loads are not fixed but fluctuated, and it is difficult to fix the level and direction of the fluctuations.

Therefore, in general, to find the loads applied to a bearing, the following steps are adopted : multiply the load to be able to be found theoretically by various factors obtained empirically.

6.1 Loads applied to bearing

6.1.1 Load factor

Even if radial load and axial load to be applied to a bearing can be found by standard dynamical calculation, loads actually applied to the bearing are greater than the calculated values because of vibration and impact generated while machine is being operated.

To find the loads actually applied to a bearing, multiply the theoretically found values by load factor.

$$F = f_w \cdot F_c \quad \dots \dots \dots (6.1)$$

Whereas,

F : Load actually applied to bearing N

F_c : Theoretically calculated load N

f_w : Load factor (see **Table 6.1**)

Table 6.1 Load factor f_w

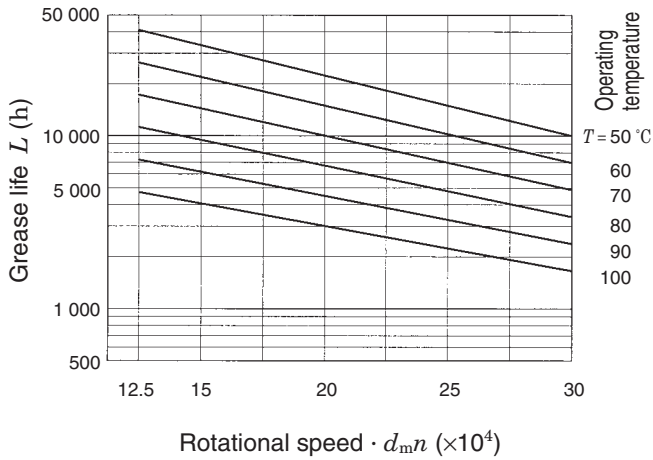
Operating conditions	Applications	f_w
Virtually no vibration or impact	Electric machines and instruments	1 – 1.2
Standard operation (weak impact)	Agricultural machines and blower	1.2 – 2
Great vibration and impact	Constructive machines and grinder	2 – 3

6.1.2 Loads in case of belt or chain transmission

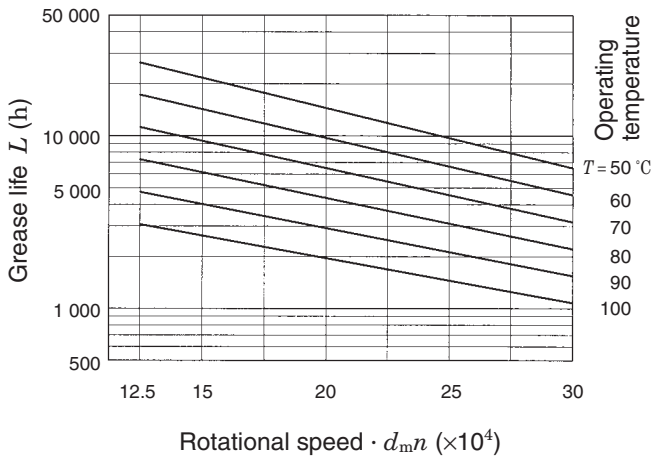
As for belt transmission, theoretical load applied to the pulley shaft can be found by effective transmission force of belt. Actually, the effective transmission force must be multiplied by load factor (f_w) obtained with taking vibration and impact generated while machine is being operated into consideration and belt factor (f_b) with taking belt tension into consideration.

As for chain transmission, factor equivalent to the belt factor for belt transmission must be multiplied.

(1) Bearing load $\cdot \frac{P_r}{C_r} = 0.05$



(2) Bearing load $\cdot \frac{P_r}{C_r} = 0.125$



(3) Bearing load $\cdot \frac{P_r}{C_r} = 0.2$

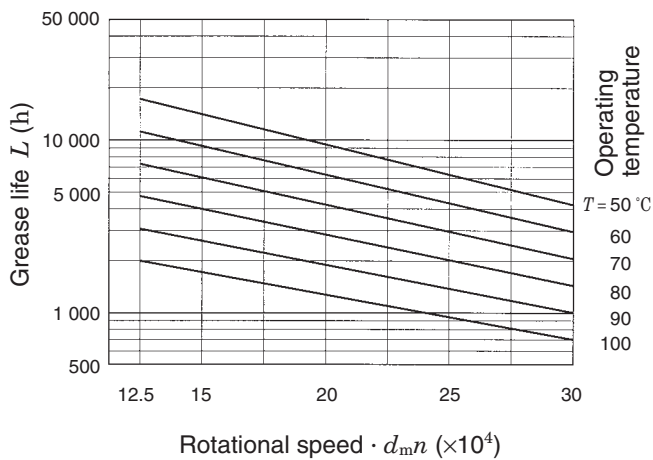


Fig. 5.8 Relation of grease life to bearing load, rotational speed, and operating temperature (reference)

6 Bearing load

$$F_b = \frac{2M}{D_p} \cdot f_w \cdot f_b$$

$$= \frac{19.1 \times 10^6 W}{D_p \cdot n} \cdot f_w \cdot f_b \dots\dots\dots (6.2)$$

Whereas,

- F_b : Load actually applied to pulley shaft or sprocket shaft N
- M : Torque applied to pulley or sprocket mN · m
- W : Transmitted power kW
- D_p : Pitch circle dia. of pulley or sprocket mm
- n : Rotational speed min⁻¹
- f_w : Load factor (see **Table 6.1**)
- f_b : Belt factor (see **Table 6.2**)

Table 6.2 Belt factor f_b

Belt type	f_b
Toothed belt	1.3 – 2
V belt	2 – 2.5
Flat belt (with tension pulley)	2.5 – 3
Flat belt	4 – 5
Chain	1.2 – 1.5

6.1.3 Load in case of gear transmission

As for gear transmission, load in tangential direction (K_t), load in radial direction (K_r), and axial load (K_a) are included as the theoretical loads applied to a gear. They can be dynamically found by transmission force and gear type.

The followings show the example of standard flat gear (as for flat gear, no axial load applied is expected.).

- (1) Load applied to gear in tangential direction (tangential line force)

$$K_t = \frac{2M}{D_p} = \frac{19.1 \times 10^6 W}{D_p n} \dots\dots\dots (6.3)$$

- (2) Load applied to gear in radial direction (separating force)

$$K_r = K_t \tan \alpha \dots\dots\dots (6.4)$$

- (3) Synthetic load applied to gear

$$K_g = \sqrt{K_t^2 + K_r^2} = K_t \sec \alpha \dots\dots\dots (6.5)$$

Whereas,

- K_t : Load applied to gear in tangential direction (tangential line force) N
- K_r : Load applied to gear in radial direction (separating force) N
- K_g : Synthetic load applied to gear N
- M : Torque applied to gear mN · m
- D_p : Pitch circle dia. of gear mm
- W : Transmission power kW
- n : Rotational speed min⁻¹
- α : Pressure angle of gear deg

Note that the actual gear load must be found by multiplying the theoretical load by load factor (f_w) obtained with taking vibration and impact generated while machine is being operated into consideration and gear factor (f_g) with taking accuracy and finish of gear into consideration.

$$F_g = f_w \cdot f_g \cdot K_g \dots\dots\dots (6.6)$$

Whereas,

- F_g : Load actually applied to gear N
- K_g : Theoretically synthetic load applied to gear N
- f_w : Load factor (see **Table 6.1**)
- f_g : Gear factor (see **Table 6.3**)

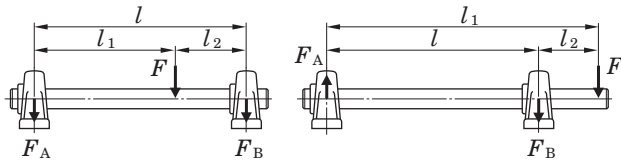
Table 6.3 Gear factor f_g

Gear type	f_g
Precision gear (both pitch error and tooth profile error should be 0.02 mm or less)	1 – 1.1
Standard gear (both pitch error and tooth profile error should be 0.1 mm or less)	1.1 – 1.3

6.2 Distribution of load to bearing

To distribute the load applied to the shaft system into the bearing which supports the shaft, find the radial component force of each load, and calculate the vector sum in accordance with the direction of load. **Fig. 6.1** shows the example of distribution of radial load.

In many cases, a bearing bears radial load as well as axial load, leading to synthetic loads. In such a case, convert it into dynamic equivalent load, and consider it as the bearing load.



$$F_A = \frac{l_2}{l} \cdot F \dots\dots\dots (6.7)$$

$$F_B = \frac{l_1}{l} \cdot F \dots\dots\dots (6.8)$$

Fig. 6.1 Distribution of load to bearing

6.3 Dynamic equivalent load

In many cases, a bearing is exposed to the synthetic load of radial load and axial load, and it is used under various conditions, including fluctuated load thus, the load actually applied to the bearing cannot be directly compared to the basic dynamic load rating.

In such a case, find the load running the bearing center in a fixed level and direction that allows the same bearing life as the actual bearing load and rotational speed. Then, compare it with the basic dynamic load rating.

The converted virtual load is called dynamic equivalent load (P).

6.3.1 Calculation of dynamic equivalent load

The dynamic equivalent radial load (P_r) of a radial bearing (ball bearing for unit is included) that bears the synthetic load in a fixed level and direction can be found by the equation shown below.

$$P_r = XF_r + YF_a \dots\dots\dots (6.9)$$

Whereas,

- P_r : Dynamic equivalent radial load N
- F_r : Radial load N
- F_a : Axial load N
- X : Radial load factor (see **Table 6.4**)
- Y : Axial load factor (see **Table 6.4**)

Table 6.4 Radial load factor (X) and axial load factor (Y)

$\frac{f_0 F_a}{C_{0r}}$	e	$F_a / F_r \leq e$		$F_a / F_r > e$	
		X	Y	X	Y
0.172	0.19	1	0	0.56	2.30
0.345	0.22				1.99
0.689	0.26				1.71
1.03	0.28				1.55
1.38	0.30				1.45
2.07	0.34				1.31
3.45	0.38				1.15
5.17	0.42				1.04
6.89	0.44				1.00

- [Remarks] 1. C_{0r} (basic static radial load rating) and f_0 (factor) are shown in the dimensional tables.
 2. If $f_0 F_a / C_{0r}$ does not conform to the table above, find by interpolation.

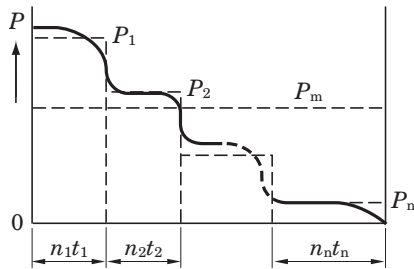
6.3.2 Mean dynamic equivalent load in case of fluctuated load

If level or direction of the load applied to a bearing is fluctuated, it is necessary to find the mean dynamic equivalent load to allow the same bearing life as that under actual fluctuated conditions.

Table 6.5 shows the method of finding the mean dynamic equivalent load under various fluctuated conditions.

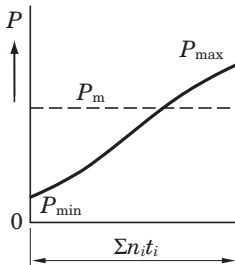
Table 6.5 Calculation of mean dynamic equivalent load in case of fluctuated load

(1) Staged fluctuation



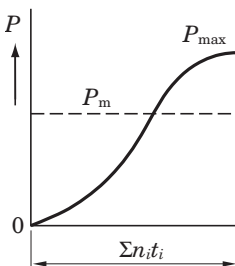
$$P_m = \sqrt[p]{\frac{P_1^p n_1 t_1 + P_2^p n_2 t_2 + \dots + P_n^p n_n t_n}{n_1 t_1 + n_2 t_2 + \dots + n_n t_n}} \dots \dots \dots (6.10)$$

(2) Stageless fluctuation



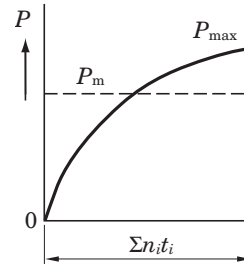
$$P_m = \frac{P_{min} + 2 P_{max}}{3} \dots \dots \dots (6.11)$$

(3) Sine curve fluctuation



$$P_m = 0.68 P_{max} \dots \dots \dots (6.12)$$

(4) Sine curve fluctuation (upper half of sine curve)



$$P_m = 0.75 P_{max} \dots \dots \dots (6.13)$$

Whereas,

- P_m : Mean dynamic equivalent load N
- P_1 : Dynamic equivalent load acting for t_1 hours at rotational speed of n_1 N
- P_2 : Dynamic equivalent load acting for t_2 hours at rotational speed of n_2 N
-
-
-
- P_n : Dynamic equivalent load acting for t_n hours at rotational speed of n_n N
- P_{min} : Minimum dynamic equivalent load N
- P_{max} : Maximum dynamic equivalent load N
- $\Sigma n_i t_i$: Total rotating frequency for t_1 to t_i hours

6.4 Basic static load rating and static equivalent load

6.4.1 Basic static load rating

If a bearing is exposed to excessive static load or impact load even under extra low rotational speed, partial permanent deformation occurs to the contact surface of the raceway of bearing with the rolling element. The permanent deformation increases with the increase of load, and when it exceeds a fixed level, smooth rotation of the bearing is interfered.

Basic static load rating of a bearing is the static load to generate the calculated contact stress shown below at the center of contact surface of the raceway the maximum load is applied and the rolling element.

- (1) Self-aligning ball bearing 4 600 MPa
- (2) Other ball bearings
(ball bearing for unit is included) 4 200 MPa
- (3) Roller bearing 4 000 MPa

The total permanent deformation of bearing raceway and rolling element to be generated under these contact stresses are 0.000 1 times of the diameter of rolling element.

In the ball bearing for unit, it is indicated as the **basic static radial load rating** (C_{0r}), and the values are shown in the dimensional tables.

6.4.2 Static equivalent load

Static equivalent load is the virtual load converted into the level that allows the generation of the same contact stress at the contact face of the raceway of bearing and rolling element that are exposed to the maximum stress as the contact stress under the actual load conditions, when a bearing is stopped or rotated at extra low speed.

Static equivalent radial load (P_{or}) of the ball bearing for unit can be calculated by the equation below (use greater value).

$$P_{or} = 0.6 F_r + 0.5 F_a \quad \dots\dots\dots (6.14)$$

$$P_{or} = F_r \quad \dots\dots\dots (6.15)$$

Whereas,

P_{or} : Static equivalent radial load N

F_r : Radial load N

F_a : Axial load N

6.4.3 Safety factor

The static equivalent load allowed by a bearing depends on the basic static load rating of the bearing, and the limitation of use of bearing by the permanent deformation (partial dent) of the bearing depends on the performance required for the bearing or operating conditions.

Therefore, in order to examine the safety of the basic static load rating of the bearing, safety factor is defined taking conventional experiences into consideration.

$$f_s = \frac{C_{or}}{P_{or}} \quad \dots\dots\dots (6.16)$$

Whereas,

f_s : Safety factor (see **Table 6.6**)

C_{or} : Basic static radial load rating N

P_{or} : Static equivalent radial load N

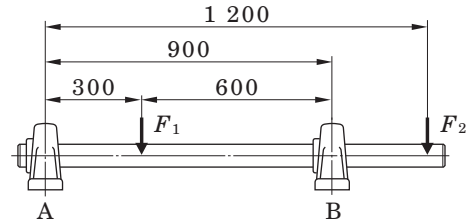
Table 6.6 Safety factor f_s (recommended)

Operating conditions		f_s (Min.)
Being rotated	High rotating accuracy is required	2
	Standard operating conditions	1
	Impact	1.5
Not always being rotated (sometimes oscillated)	Standard operating conditions	0.5
	Impact, unevenly distributed load	1

6.5 Example of applied calculation

Example 1 Distributing load

Find the load applied to the bearing A and bearing B, if the radial load F_1 ($F_1 = 1.5$ kN) and F_2 ($F_2 = 4.5$ kN) are applied.



- (1) Find the radial load F_{1A} applied to the bearing A by F_1 , with **Equations (6.7)** and **(6.8)**.

$$F_{1A} = \frac{600}{900} \times 1.5 = 1.0 \text{ (kN)}$$

In a similar manner, find the radial load F_{2A} applied to the bearing A by F_2 .

$$F_{2A} = -\frac{1200 - 900}{900} \times 4.5 = -1.5 \text{ (kN)}$$

[Remark] Negative load is the upward load.

Radial load F_A applied to the bearing A :

$$F_A = F_{1A} + F_{2A} = 1.0 + (-1.5) = -0.5 \text{ (kN)}$$

- (2) In a similar manner to (1), find the radial load F_B applied to the bearing B.

$$F_{1B} = \frac{300}{900} \times 1.5 = 0.5 \text{ (kN)}$$

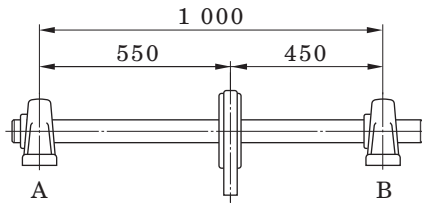
$$F_{2B} = \frac{1200}{900} \times 4.5 = 6.0 \text{ (kN)}$$

$$F_B = F_{1B} + F_{2B} = 0.5 + 6.0 = 6.5 \text{ (kN)}$$

6 Bearing load

Example 2 Calculating load by V-belt transmission

Find the load applied to the bearing A and bearing B when the shaft is driven by the V-belt, transmission power W is 7.5 kW ($W = 7.5$ kW), rotational speed n is 300 min^{-1} ($n = 300$ min^{-1}), effective diameter of pulley D_p is 300 mm ($D_p = 300$ mm).



- (1) Find the load actually applied to the pulley shaft F_b with **Equation (6.2)**.

From **Table 6.1**, load factor f_w is 1.2 ($f_w = 1.2$), and the belt factor f_b is 2.5 ($f_b = 2.5$), from **Table 6.2**.

$$F_b = \frac{19.1 \times 10^6 W}{D_p \cdot n} \cdot f_w \cdot f_b$$

$$= \frac{19.1 \times 10^6 \times 7.5}{300 \times 300} \times 1.2 \times 2.5 = 4.78 \text{ (kN)}$$

- (2) Find the load actually applied to the bearing A and bearing B (F_A and F_B) with **Equations (6.7)** and **(6.8)**.

$$F_A = \frac{450}{1000} \times 4.78 = 2.15 \text{ (kN)}$$

$$F_B = \frac{550}{1000} \times 4.78 = 2.63 \text{ (kN)}$$

Example 3 Calculating dynamic equivalent radial load

Find the dynamic equivalent radial load P_r when the radial load F_r , 1.5 kN ($F_r = 1.5$ kN), and the axial load F_a , 0.85 kN, ($F_a = 0.85$ kN) are applied to the pillow block type unit UCP306J (bearing UC306).

- (1) Find the radial load factor (X) and the axial load factor (Y) with using the static radial load rating C_{0r} of UCP306J (bearing UC306), 15.0 kN ($C_{0r} = 15.0$ kN), and **Table 6.4**.

$$\frac{f_0 F_a}{C_{0r}} = \frac{13.3 \times 0.85}{15.0} = 0.754, e = 0.264$$

$$\frac{F_a}{F_r} = \frac{0.85}{1.5} = 0.567 > e (0.264)$$

Therefore, $X = 0.56$, $Y = 1.68$

- (2) Find the dynamic equivalent radial load P_r with **Equation (6.9)**.

$$P_r = XF_r + YF_a = 0.56 \times 1.5 + 1.68 \times 0.85$$

$$= 2.27 \text{ (kN)}$$

Example 4 Calculating bearing life

Under the conditions shown in the **Example 3**, find the bearing life L_{10h} when a bearing is used for a blower of the rotational speed n , 1 000 min^{-1} .

- (1) Select the load factor f_w is 1.2 ($f_w = 1.2$) from **Table 6.1**, and find the bearing load P_r .

$$P_r = f_w \cdot F = 1.2 \times 2.27 = 2.72 \text{ (kN)}$$

- (2) The dynamic radial load rating of UCP306J (bearing UC306), C_r , is 26.7 kN ($C_r = 26.7$ kN), and calculate the bearing life L_{10h} with the **Equation (5.2)**.

$$L_{10h} = \frac{10^6}{60n} \cdot \left(\frac{C_r}{P_r}\right)^3 = \frac{10^6}{60 \times 1000} \times \left(\frac{26.7}{2.72}\right)^3$$

$$\doteq 15\,800 \text{ (h)}$$

- (3) Calculate bearing life L_{10h} with the nomogram shown in **Fig. 5.1**.

When the rotational speed n is 1 000 min^{-1} ($n = 1\,000$ min^{-1}), rotational factor f_n is 0.32 ($f_n = 0.32$). next, find the life factor f_h by speed factor f_n , dynamic radial load rating of bearing C_r , and the bearing load P_r .

$$\text{Life factor } f_h = f_n \cdot \frac{C_r}{P_r} = 0.32 \times \frac{26.7}{2.72}$$

$$= 3.14$$

From life factor f_h , bearing life $L_{10h} \doteq 16\,000$ hours.

Example 5 Selecting ball bearing unit

If a bearing is operated under the following conditions, select the flange type unit (UCF) with at least two years (5 000 hours) or longer service life : rotational speed of shaft n is 1 500 min^{-1} ($n = 1\,500$ min^{-1}), and radial load F_r is 5 kN ($F_r = 5$ kN). The radial load F_r includes the load factor and gear factor.

- (1) From the nomogram shown in **Fig. 5.1**, when life time L_h is 5 000 h ($L_h = 5\,000$ h), life factor f_h can be found as 2.16 ($f_h \doteq 2.16$), and speed factor f_n can be found as 0.28 ($f_n \doteq 0.28$) when the rotational speed n is 1 500 min^{-1} ($n = 1\,500$ min^{-1}).

$$\text{Dynamic radial load rating } C_r = F_r \cdot \frac{f_h}{f_n} = 5 \times \frac{2.16}{0.28}$$

$$\doteq 38.6 \text{ (kN)}$$

- (2) Find the flange type unit that meets the following condition : dynamic radial load rating C_r is 38.6 kN ($C_r = 38.6$ kN). As for the diameter series 2, UCF211J (dynamic radial load rating C_r is 43.4 kN ($C_r = 43.4$ kN)) can be selected.

Example 6 Selecting pillow block type unit for low speed

If a bearing is used for a dolly under the following conditions, select the pillow block type unit (UCP) with 10 000 hours service life : radial load F_r is 12 kN ($F_r = 12$ kN), and rotational speed is 8 min^{-1} .

- (1) Find the required dynamic radial load rating C_r with using **Equations (5.4) and (5.5)**.

$$\text{Speed factor } f_n = (0.03n)^{-1/p} = (0.03 \times 8)^{-1/3} \doteq 1.61$$

$$\text{Life factor } f_h = \left(\frac{L_{10h}}{500}\right)^{1/p} = \left(\frac{10\,000}{500}\right)^{1/3} \doteq 2.71$$

$$\begin{aligned} \text{Dynamic radial load rating } C_r &= P_r \cdot \frac{f_h}{f_n} = 12 \times \frac{2.71}{1.61} \\ &\doteq 20.2 \text{ (kN)} \end{aligned}$$

- (2) From **Table 6.6**, define safe factor f_s as 2 ($f_s = 2$), and find the static radial load rating of bearing required C_{0r} .

$$C_{0r} = f_s \cdot P_r = 2 \times 12 = 24 \text{ (kN)}$$

- (3) The unit is used for a dolly, and vibration or impact may occur. Thus, select UCP308J ($C_r = 40.7$ kN, $C_{0r} = 24.0$ kN).

Example 7 Calculating bearing life in case of use at high temperature

Find the bearing life if the heat resistant pillow block type unit (UCP215JD1K2) is operated under the following conditions : operating temperature is 175°C , radial load F_r is 4 kN ($F_r = 4$ kN), and the rotational speed n is 800 min^{-1} ($n = 800 \text{ min}^{-1}$). Note that the radial load F_r includes load factor and gear factor.

- (1) From **Table 5.1**, find the dynamic load rating C_r with in the case that a bearing is used at 175°C .

$$C_r = 67.4 \times 0.95 = 64.0 \text{ (kN)}$$

Find the bearing life L_{10h} with using **Equation (5.2)**.

$$\begin{aligned} L_{10h} &= \frac{10^6}{60n} \cdot \left(\frac{C_r}{P_r}\right)^3 = \frac{10^6}{60 \times 800} \times \left(\frac{64.0}{4}\right)^3 \\ &\doteq 85\,000 \text{ (h)} \end{aligned}$$

- (2) If a bearing unit is operated at 175°C , grease is degraded faster, and it cannot be used without lubrication. Supply grease at intervals specified in **Table 14.4**.
- (3) If the shaft is extended excessively, install a bearing unit on the identical shaft on the fixed side (positioning of shaft), and install another bearing unit on the free side (see “10 Design of shaft and base”).

Example 8 Calculating grease life

Find the grease life in the case that pillow block type unit UCP204J (bearing UC204) under the following conditions : radial load F_r is 1 kN ($F_r = 1$ kN), and rotational speed n is 800 min^{-1} ($n = 800 \text{ min}^{-1}$). Note that the radial load F_r includes load factor and belt factor. Operating temperature of the bearing should be 40°C .

Find the grease life L with using **Equation (5.10)**.

$$\begin{aligned} \log L &= 6.10 - 4.40 \times 10^{-6} d_{mn} - 2.50 \left(\frac{P_r}{C_r} - 0.05\right) \\ &\quad - (0.021 - 1.80 \times 10^{-8} d_{mn}) T \\ &= 6.10 - 4.40 \times 10^{-6} \times 12.5 \times 10^4 \\ &\quad - 2.50 \left(\frac{1}{12.8} - 0.05\right) \\ &\quad - (0.021 - 1.80 \times 10^{-8} \times 12.5 \times 10^4) \times 50 \\ &= 4.542 \\ L &\doteq 34\,800 \text{ (h)} \end{aligned}$$

Example 9 Calculating life of bearing unit in case of non-lubrication

Find the life of a bearing unit in the case that it is operated under the conditions shown in **Example 8**, but without lubrication.

- (1) Find the rating life of bearing L_{10h} with using **Equation (5.2)**.

$$\begin{aligned} L_{10h} &= \frac{10^6}{60n} \cdot \left(\frac{C_r}{P_r}\right)^3 = \frac{10^6}{60 \times 800} \times \left(\frac{12.8}{1}\right)^3 \\ &\doteq 43\,700 \text{ (h)} \end{aligned}$$

- (2) Compare the grease life L shown in **Example 8** to the rating life of bearings L_h . Then, grease life L is shorter than the bearing rating life. Therefore, life of a bearing unit should be the same as the grease life L , 34 800 hours ($L = 34\,800$ hours).

7 Allowable rotational speed

7 Allowable rotational speed

7.1 Allowable rotational speed

The rotational speed of a bearing is normally affected by friction heat generated in the bearing. If the heat exceeds a certain amount, seizure or other failures occur, thus causing rotation to be discontinued.

The allowable rotational speed is the highest speed at

which a bearing can continuously operate without generating such critical heat.

Allowable rotational speed of a ball bearing unit depends on the dimensions of the bearing, type of oil seal, and fitting conditions of bearing inner ring and shaft.

Table 7.1 shows the standard allowable rotational speeds of ball bearing units.

Table 7.1 Allowable rotational speed of ball bearing units (standard value)

Unit : min⁻¹

Bore diameter No.	UC type bearing, UC-S6 type bearing, UK type bearing, NA type bearing, ER, RB type bearing										SA type bearing SB type bearing	SU type bearing SU-S6 type bearing
	Standard type, cold resistant type (D2K2)			Triple-lip sealed (L3)			Heat resistant type (D1K2)	Heat resistant type (K3), for blower (S5)				
	Diameter series			Diameter series			Diameter series	Diameter series				
	2	X	3	2	X	3	2, X, 3	2	X	3		
8												10 000
00	–			–			–	–			–	10 000
01	5 800			2 300			3 800	8 700			6 800	8 000
02	5 800			2 300			3 800	8 700			6 800	6 600
03	5 800			2 300			3 800	8 700			6 800	5 800
04	5 800	–	–	2 300	–		3 800	8 700	–	–	5 800	5 000
05	5 100	4 300	4 600	2 100	960		3 000	7 700	6 400	6 700	5 100	4 000
06	4 300	3 700	3 900	960	830	–	2 500	6 400	5 500	5 800	4 300	3 300
07	3 700	3 300	3 400	830	750	770	2 100	5 500	5 000	5 100	3 700	–
08	3 300	3 100	3 100	750	690	690	1 900	5 000	4 600	4 600	3 300	
09	3 100	2 800	2 700	690	640	620	1 700	4 600	4 300	4 100	3 100	
10	2 800	2 500	2 400	640	570	550	1 500	4 300	3 800	3 700	2 800	
11	2 500	2 300	2 300	570	520	510	1 400	3 800	3 500	3 400		
12	2 300	2 200	2 100	520	490	470	1 300	3 500	3 200	3 100		
13	2 200	2 100	1 900	490	460	440	1 200	3 200	3 100	2 900		
14	2 100	2 000	1 800	460	440	410	1 100	3 100	2 900	2 700		
15	2 000	1 800	1 700	440	410	380	1 000	2 900	2 700	2 600		
16	1 800	1 700	1 600	410	380	360	940	2 700	2 600	2 400		
17	1 700	1 600	1 500	380	360	340	880	2 600	2 400	2 300		
18	1 600	1 500	1 400	360	340	320	830	2 400	2 300	2 100		
19	–	–	1 400	–	–	310	790	–	–	2 000		
20		1 300	1 300		300	280	750		2 000	1 900		
21		–	1 200		–	–	710		–	1 800		
22			1 100			250	680			1 700		
24			1 100			240	630			1 600		
26			1 000			220	580			1 500		
28			910			200	540			1 400		

[Remarks] 1. Allowable rotational speed of the units with covers is 80% of the value shown in the table above.

2. If a bearing unit is used with excessively loose fitting, allowable rotational speed must be corrected by multiplying it by the fitting factor f_c shown in **Table 7.2**.

8 Operating temperature and bearing specifications

7.2 Correction of allowable rotational speed by fitting

For easier installation of a ball bearing unit to a shaft, clearance fit is used for a bearing inner ring and shaft, in general. Size of fitting clearance between the bearing inner ring and the shaft is related to the allowable rotational speed of the bearing unit. As the rotational speed is increased, the fitting clearance between the bearing inner ring and the shaft should be decreased.

Table 7.2 shows the fitting factors to correct the allowable rotational speed depending on the types of fitting of the bearing inner ring to the shaft.

As for the bearings with set screws, allowable rotational speed must be corrected by multiplying the allowable rotational speed (standard value) by fitting factor, depending on the tolerance class of the shaft used. For the bearings with adapter, shafts of h8 or h9 tolerance class are recommended, while shafts of h5 or j5 tolerance class are recommended for the bearings with eccentric locking collar.

Table 7.2 Fitting factor of ball bearing unit f_c (recommended)

Type of ball bearing unit	Fitting factor f_c					
	Shaft tolerance class					
	h5, j5	j6	h6	h7	h8	h9
With set screw						
Standard type	–	1.0	1.0	0.8	0.5	0.2
Triple-lip seal type (Supplementary code L3)	–	–	–	1.0	1.0	0.9
Heat resistant type (Special code D1K2)	–	–	–	1.0	1.0	0.7
Cold resistant type (Special code D2K2)	–	–	–	1.0	1.0	0.7
For high speed (Special code K3)	–	1.0	0.8	0.6	–	–
For blower (Special code S5)	1.0	–	0.8	0.6	–	–
With adapter	–	–	–	–	1.0	1.0
With eccentric locking collar	1.0	–	–	–	–	–

8.1 Operating temperature range

Operating temperature range of a ball bearing unit depends on the type of grease used for the bearing, oil seal rubber material, and the internal clearance of the bearing.

Koyo Ball Bearing Units are available in heat resistant unit (special code : D1K2) and cold resistant unit (special code : D2K2) series, as well as standard types, to allow selection optimal for the operating temperature (see **Table 3.3**).

Even though the bearing unit suitable for temperature is used, grease must be fed in accordance with the specified standards, since grease life greatly depends on temperature.

8.2 Operating temperature and internal clearance of bearing

If the temperature of transmission heat to the shaft is high or hot steam enters the hollow bore of the shaft, difference between the temperatures of the bearing inner and outer rings is increased and the internal clearance of the bearing is decreased, leading to breakage at early stages of the bearing service life.

Decrease in the internal clearance of the bearing depending on the difference in the temperatures of the bearing inner ring and the bearing outer ring can be found by **Equation (8.1)**.

Under these conditions, decrease in the internal clearance must be calculated, and the internal clearance of bearing needs to be selected properly.

$$S_{t1} = \alpha \cdot D_e \cdot \Delta t \quad \text{..... (8.1)}$$

Whereas,

S_{t1} : Decrease in the internal clearance of bearing depending on the difference in the temperatures of the bearing inner ring and the bearing outer ring mm

α : Line expansion factor of bearing steel 12.5×10^{-6}

D_e : Raceway dia. of bearing outer ring mm
 Diameter series 2, X $D_e \doteq 0.92 D$
 Diameter series 3 $D_e \doteq 0.9 D$

D : Nominal bearing outer dia. mm

Δt : Difference in temperatures of bearing inner ring and outer ring °C

If a ball bearing unit is used at a high temperature, abnormal axial load may be applied to the bearing due to axial extension of the shaft caused by high temperature, leading to breakage at early stages of the bearing service life. This fact must be taken into consideration, as well as the internal clearance of the bearing for use of the bearing at a high temperature.

The shaft of free side unit or the unit needs to be able to be moved axially, as the countermeasure against this problem.

(See “10 Design of shaft and base”)

9 Strength of housing

The housing for Koyo Ball Bearing Unit reliably withstands use under standard operating conditions, because of selection of good material and the highly tough design suitable to the load capacity of the bearing. However, if a great or impact loads occurs at a low rotational speed, strength of the bearing must be examined in advance, for the purpose safety is especially required.

Although the form of the housing is designed so that it is applicable to various purposes, destruction strength varies depending on the direction of load. Therefore, mounting direction of the bearing unit must be fully examined, as well as the strength of the housing.

At this time, setting of fixing device to support the housing is required depending on the direction or level of load.

Rigidity of the base and flatness of the mounting surface give influence on the strength of the housing. Note that the load applied to the ball bearing unit is recommended to be basically examined by the calculation result of bearing life even if the strength of the housing is satisfied.

9.1 Strength of cast iron housing

Though gray cast iron has many superior features as machine parts material, it is fragile against impact load. Therefore, prior to use of it, level, direction, and property of load applied to it must be fully examined.

Allowable load of gray cast iron housing can be found by using static destruction strength of the housing, taking safety factor into consideration.

Table 9.1 shows the safety factor of gray cast iron products against load, and Fig. 9.1 to Fig. 9.7 show the outline values of static destruction strength of pillow block type, flange type and take-up type housings.

Table 9.1 Safety factor of gray cast iron products (recommended)

Property of load	Safety factor of gray cast iron
Static load	4
With vibration	10
With impact	15

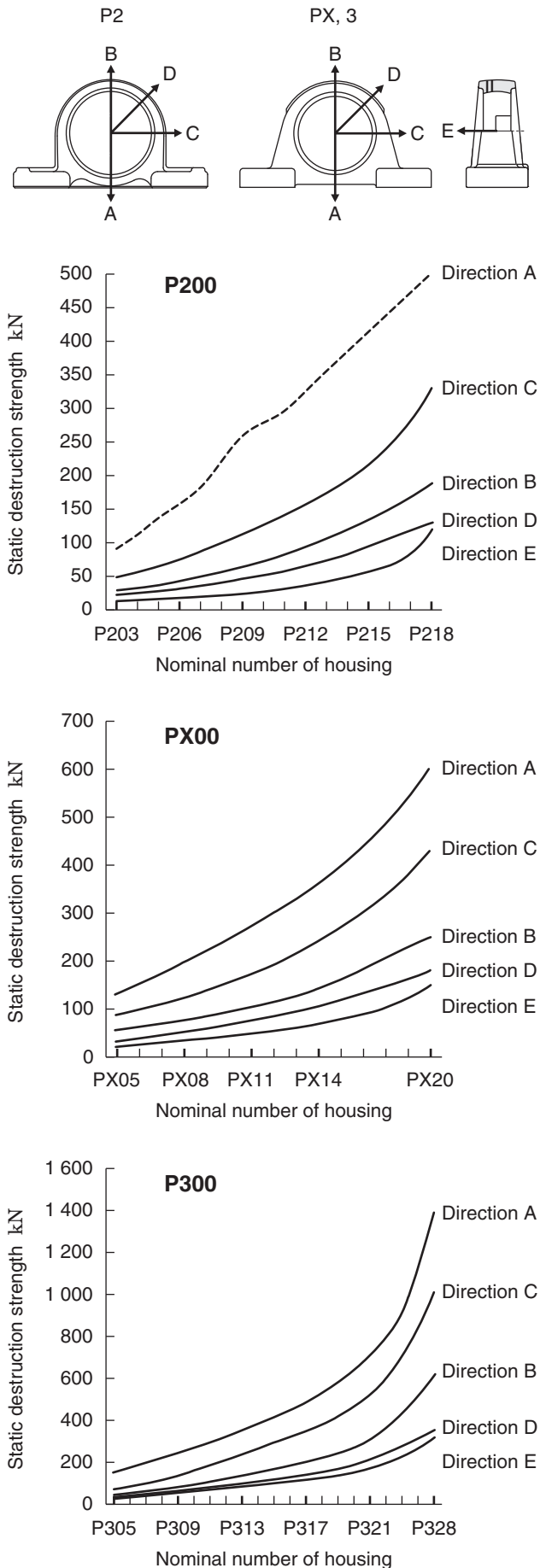


Fig. 9.1 Static destruction strength of pillow block type housing (P)

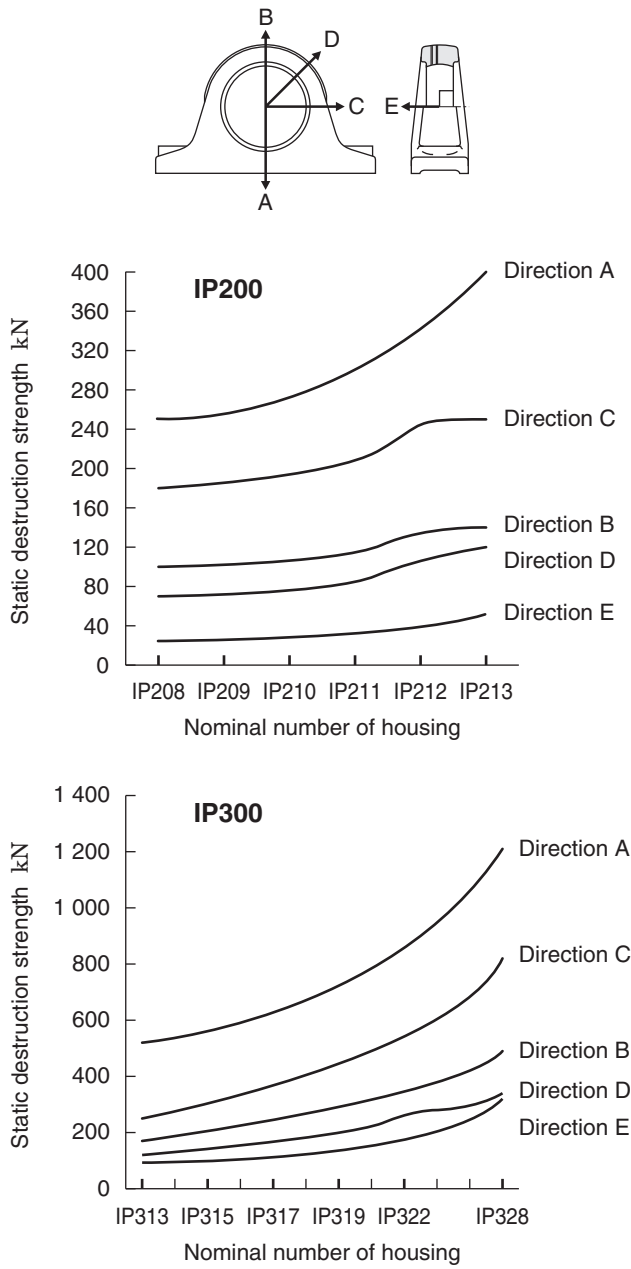


Fig. 9.2 Static destruction strength of thick section pillow block type housing (IP)

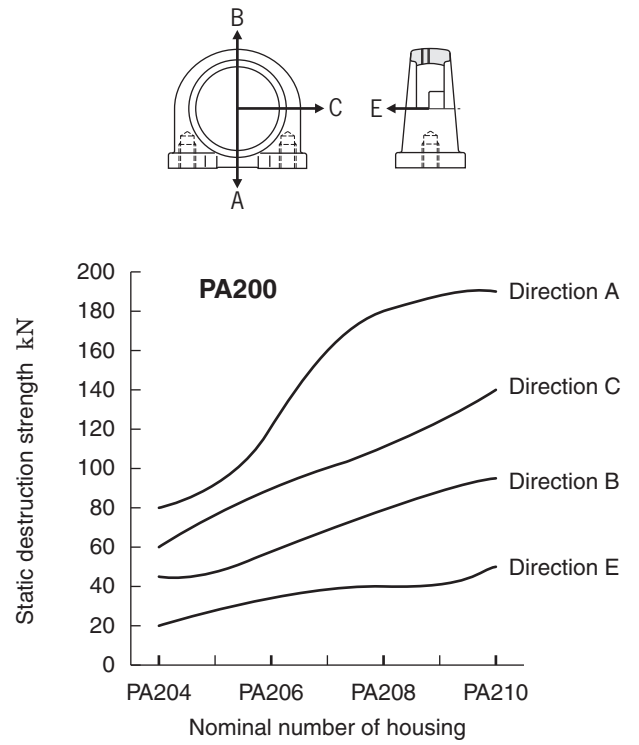


Fig. 9.3 Static destruction strength of tapped-base pillow block type housing (PA)

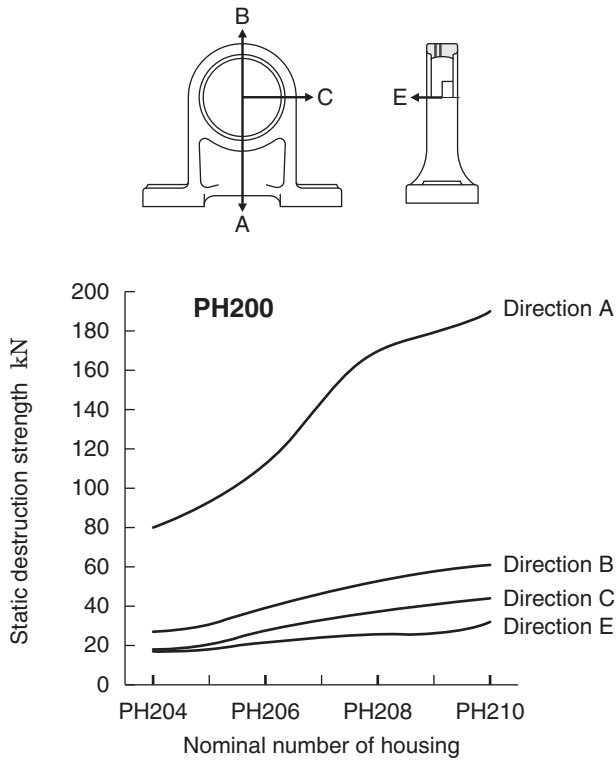


Fig. 9.4 Static destruction strength of higher centerheight pillow block type housing (PH)

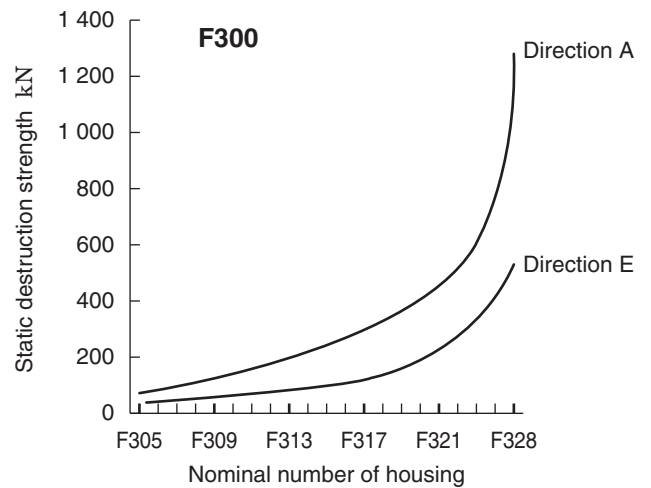
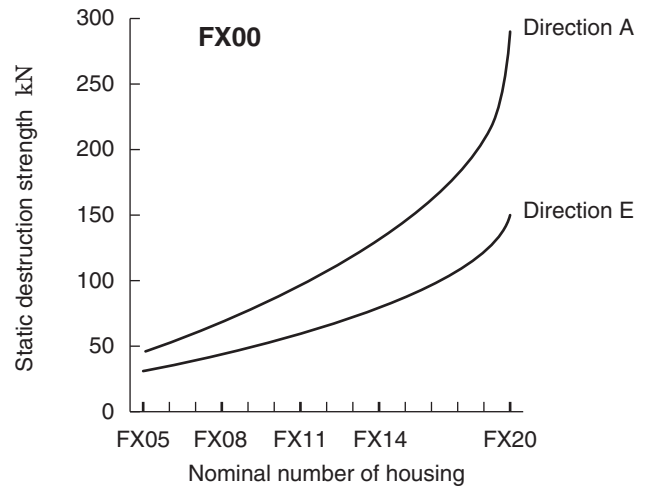
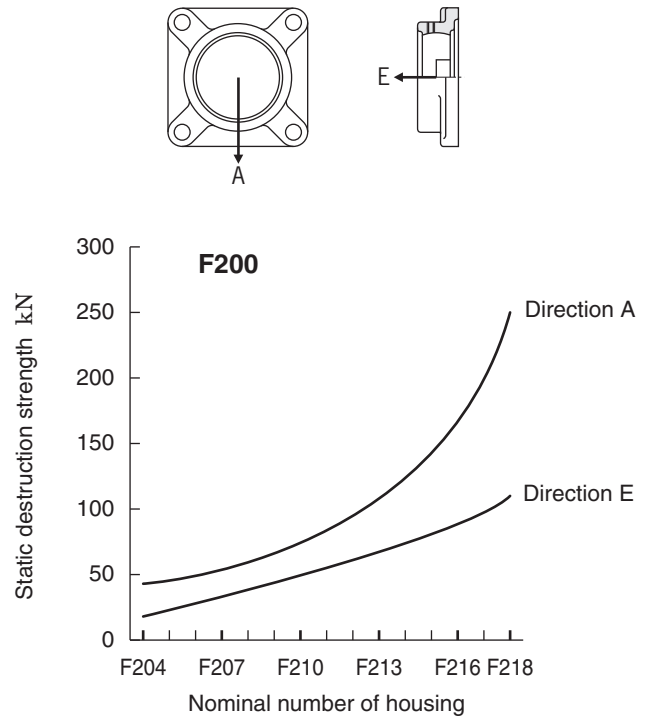


Fig. 9.5 Static destruction strength of square-flanged type housing (F)

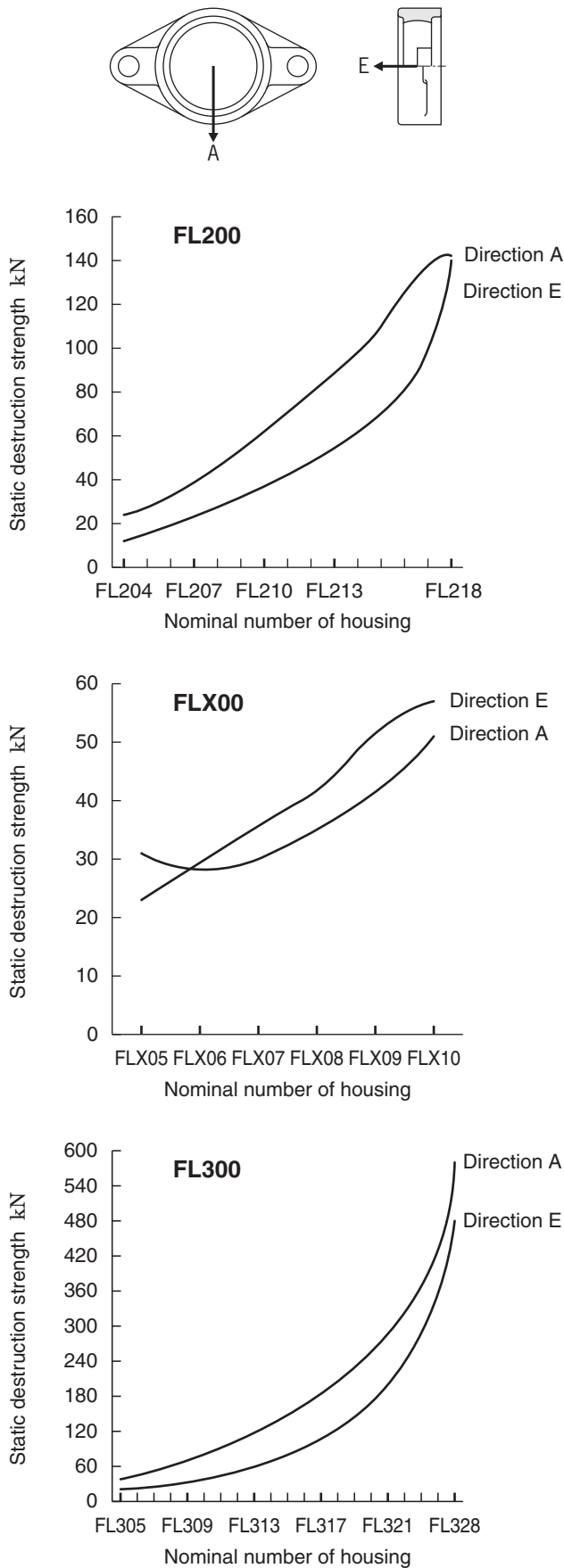


Fig. 9.6 Static destruction strength of rhombic-flanged type housing (FL)

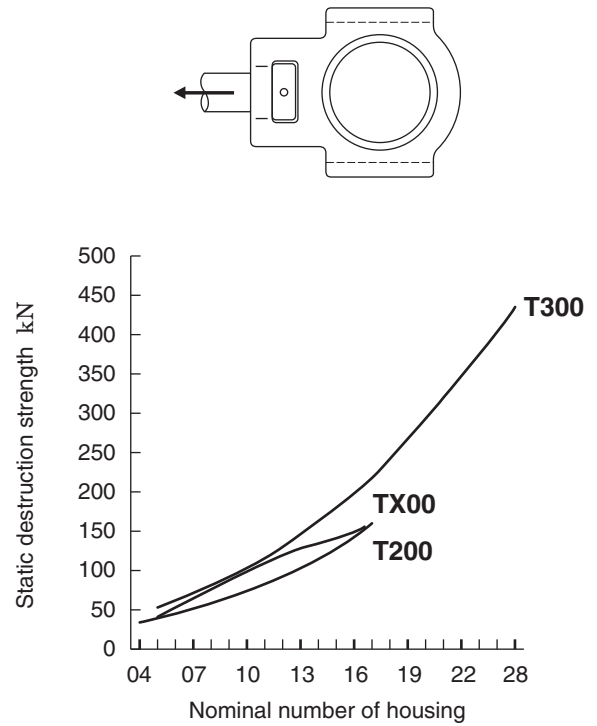


Fig. 9.7 Static destruction strength of take-up type housing (T)

9.2 Strength of steel housing

The precisely pressed steel housing is highly rigid, but great deformation occurs when load is applied until it is broken. Thus, allowable load of the pressed steel housing must be the value deformation of the housing caused by load does not influence on actual use.

Table 9.2 shows the allowable load of the pressed steel housing.

Table 9.2 Allowable load of pressed steel housing (recommended)

Load direction	Allowable load of pressed steel housing
Radial	Approx. 1/6 of basic dynamic radial load rating of bearing (C_r)
Axial	Approx. 1/18 of basic dynamic radial load rating of bearing (C_r)

9.3 Strength of stainless steel housing

To find the allowable load of a stainless steel housing, use the static destruction strength of a housing, taking safety factor into consideration.

Table 9.3 shows the safety factors for stainless steel products. As for the basic values of the static destruction strength of SP200H1, SPA200H1, SF200H1, SFL200H1, ST200H1 type housings, apply P200 of Fig. 9.1, PA200 of Fig. 9.3, F200 of Fig. 9.5, FL200 of Fig. 9.6 and T200 of Fig. 9.7. For the basic values of the static destruction strength of the SP000 and SFL000 type housings, see P000 of Fig. 9.8 and FL000 of Fig. 9.9 and multiply them by 1.5 respectively.

Table 9.3 Safety factor of stainless steel products

Property of load	Safety factor of stainless steel products
Static load	3
With vibration	5
With impact	10

9.4 Strength of “compact” series housing

The “compact” series housing is made of zinc alloy die-cast, but great deformation occurs when load is applied until it is broken.

Table 9.4 shows safety factor for zinc alloy die-cast, and Fig. 9.8 and 9.9 show the outline values of the static destruction strength of the zinc alloy die-cast housing.

Table 9.4 Safety factor of zinc alloy die-cast products

Property of load	Safety factor of die-cast products
Static load	8
With vibration	15
With impact	20

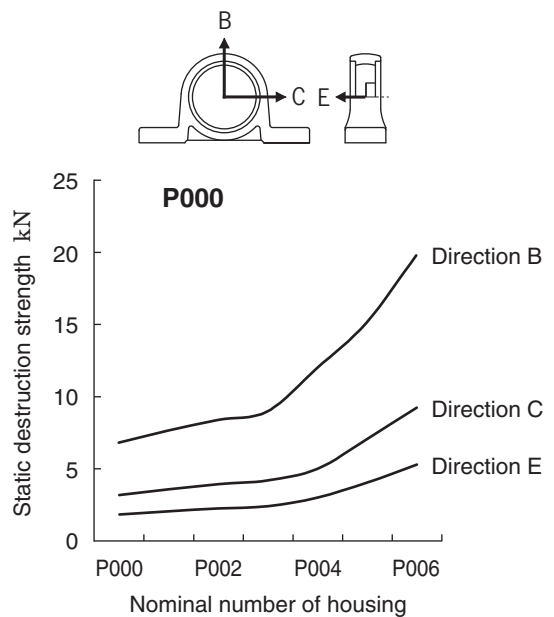


Fig. 9.8 Static destruction strength of “compact” housing (P)

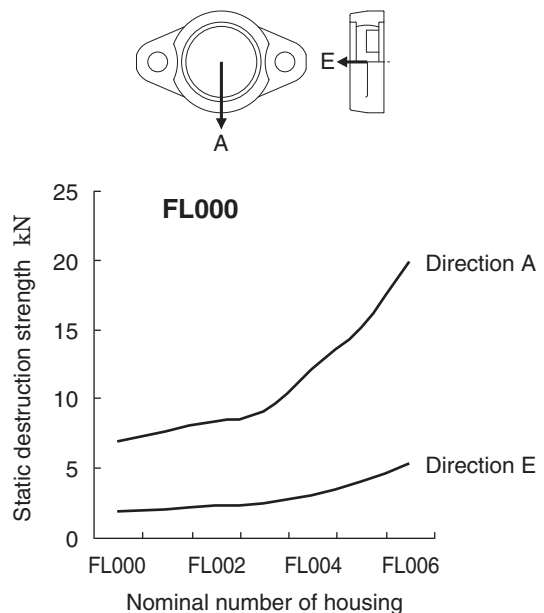


Fig. 9.9 Static destruction strength of “compact” housing (FL)

10 Design of shaft and base

10.1 Design of shaft

For intrinsic performance of a ball bearing unit and maintenance of it for a long time, selection of the shaft optimal for operating conditions is important. Use the shaft with enough rigidity but free from bend, scratch, or burr.

10.1.1 Tolerance of shaft

(1) Tolerance of shaft used for cylindrical bore bearing with set screws

For the cylindrical bore bearing with set screws, use the shaft of the tolerance class leading to relatively loose fitting to simplify the mounting procedures. The fitting clearance between the bearing inner ring and the shaft should be decreased as the rotational speed of the shaft

is increased.

Table 10.1 shows the guideline for the tolerance class of the rotational speed of the cylindrical bore bearing with set screws and the shaft used.

If the cylindrical bore bearing with set screws is exposed to heavy load ($P_r/C_r > 0.12$), vibration, or impact, use shaft of the tolerance class leading to relatively tight fitting to prevent creep or fretting to be occurred to the fitting surface of the bearing inner ring and the shaft.

To use tight fitting of the cylindrical bore bearing with set screws, see **Table 10.2** showing the guideline for the tolerance class of the shaft used.

Table 10.3 shows the recommended deviation from circular and cylindrical forms of the shaft used.

Table 10.1 Tolerance of shaft used for cylindrical bore bearing with set screws (recommended) (clearance fitting or transition fitting)

Unit : μm

Shaft diameter (mm)		Tolerance of shaft							
		j6		h6		h7		h8	
over	up to	upper	lower	upper	lower	upper	lower	upper	lower
6	10	+ 7	- 2	0	- 9	0	-15	0	-22
10	18	+ 8	- 3	0	-11	0	-18	0	-27
18	30	+ 9	- 4	0	-13	0	-21	0	-33
30	50	+11	- 5	0	-16	0	-25	0	-39
50	80	+12	- 7	0	-19	0	-30	0	-46
80	120	+13	- 9	0	-22	0	-35	0	-54
120	180	+14	-11	0	-25	0	-40	0	-63
Applicable rotational speed $dn^{1)}$		Over 120 000		Over 100 000, up to 120 000		Over 60 000, up to 100 000		up to 60 000	

Note 1) $dn = d$ (bearing bore, mm) $\times n$ (rotational speed, min^{-1})

Table 10.2 Tolerance of shaft used for cylindrical bore bearing with set screws (recommended) (transition fitting or interference fitting)

Unit : μm

Shaft diameter (mm)		Tolerance of shaft					
		k6		k7		m6	
over	up to	upper	lower	upper	lower	upper	lower
6	10	+10	+1	+16	+1	+15	+ 6
10	18	+12	+1	+19	+1	+18	+ 7
18	30	+15	+2	+23	+2	+21	+ 8
30	50	+18	+2	+27	+2	+25	+ 9
50	80	+21	+2	+32	+2	+30	+11
80	120	+25	+3	+38	+3	+35	+13
120	180	+28	+3	+43	+3	+40	+15

Table 10.3 Tolerance of shaft used for ball bearing units (recommended)

Unit : μm

Shaft diameter (mm)		Deviation from circular and cylindrical forms
6	10	6
10	18	8
18	30	9
30	50	11
50	80	13
80	120	15
120	180	18

(2) Tolerance of shaft used for bearing for blower (cylindrical bore with set screws)

In the bearing for blower (special code S5), smaller internal clearance of bearing (C2) and once-class-higher bearing tolerance reduce vibration and noise during high-speed rotation.

Therefore, use of the shaft in the tolerance class shown in **Table 10.4** as the bearing for blower (cylindrical bore with set screws) used is recommended.

Table 10.4 Tolerance of shaft used for bearing for blower (cylindrical bore with set screws) (recommended)

Unit : μm

Shaft diameter (mm)		Tolerance of shaft			
		h5		j5	
over	up to	upper	lower	upper	lower
10	18	0	- 8	+5	- 3
18	30	0	- 9	+5	- 4
30	50	0	-11	+6	- 5
50	80	0	-13	+6	- 7
80	120	0	-15	+6	- 9
120	180	0	-18	+7	-11

(3) Tolerance of shaft used for tapered bore bearing (with adapter)

Since the tapered bore bearing is fixed to a shaft with the adapter, the shaft in the tolerance class allowing relatively loose fitting should be selected, for easier mounting.

Table 10.5 shows the tolerance of shaft used for the tapered bore bearing (with adapter).

Table 10.5 Tolerance of shaft used for tapered bore bearing (with adapter) (recommended)

Unit : μm

Shaft diameter (mm)		Tolerance of shaft			
		h8		h9	
over	up to	upper	lower	upper	lower
18	30	0	-33	0	- 52
30	50	0	-39	0	- 62
50	80	0	-46	0	- 74
80	120	0	-54	0	- 87
120	180	0	-63	0	-100

(4) Tolerance of shaft used for cylindrical bore bearing with eccentric locking collar

As for the cylindrical bore bearing with eccentric locking collar, if the fitting clearance between the bearing inner ring and the shaft is great, the shaft may be installed with being tilted because of its structure.

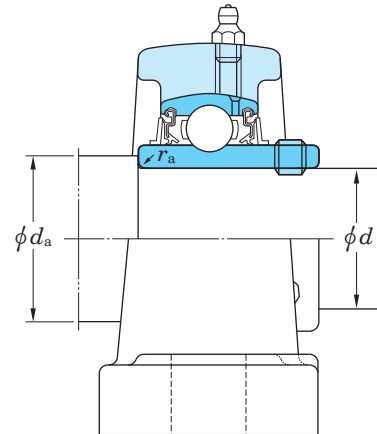
Therefore, for cylindrical bore bearing with eccentric locking collar, use of the shaft in the same tolerance class (h5 or j5) as that used with the bearing for blower (special code S5) is recommended (see **Table 10.4**).

10.1.2 Dimensions of shouldered shaft

When using the cylindrical bore bearing in the environment exposed to a great axial load, excessive vibration, or impact, adopt the shouldered shaft, and tighten the bearing inner ring with the nut.

Table 10.6 shows the shoulder diameter and the fillet radius of the shouldered shaft.

Table 10.6 Shoulder diameter and fillet radius of shouldered shaft (recommended)



Unit : mm

Bore dia. No.	Nominal bearing bore dia. d	UC200, UCX00		UC300	
		Shoulder dia. d_a	Fillet radius r_a (max.)	Shoulder dia. d_a	Fillet radius r_a (max.)
01	12	17	0.6		
02	15	20	0.6		
03	17	22	0.6		
04	20	30	1	-	-
05	25	35	1	35	1
06	30	40	1	40	1
07	35	45	1	45	1.5
08	40	50	1	50	1.5
09	45	55	1	55	1.5
10	50	60	1	60	2
11	55	65	1.5	65	2
12	60	70	1.5	75	2
13	65	75	1.5	80	2
14	70	80	1.5	85	2
15	75	85	1.5	90	2
16	80	90	2	95	2
17	85	95	2	100	2.5
18	90	100	2	105	2.5
19	95	-	-	110	2.5
20	100	115	2	115	2.5
21	105	-	-	120	2.5
22	110			125	2.5
24	120			135	2.5
26	130			150	3
28	140			160	3

10.1.3 Countermeasures against heat

In general, two or more ball bearing units are used for a shaft. If installation distance for the ball bearings is small or expansion and contraction of the shaft due to temperature are a little, install each of the bearing unit to the fixed side.

However, if installation distance is great and the shaft is exposed to heat, the shaft to be installed should be positioned with a bearing unit to be on the fixed side, and another bearing unit should be installed with it to be on the free side.

Because, if the shaft is exposed to heat, it is expanded in the axial direction, leading to a great axial load to the bearing, and it causes premature breakage of the bearing. Therefore, expansion of the shaft is absorbed by the bearing unit on the free side.

Equation (10.1) shows the relation of temperature increase to expansion of the shaft.

$$\Delta l = \alpha \cdot \Delta t \cdot l \dots\dots\dots (10.1)$$

Whereas,

- Δl : Expansion of shaft mm
- α : Linear expansion coefficient of shaft
in the case of standard steel $11\sim 12 \times 10^{-6}$
- Δt : Temperature increase °C
- l : Installation distance of unit mm

Countermeasures against great expansion of shaft as a result of exposure to heat are shown below.

(1) Installation with full dog point set screw on the free side

If the shaft is exposed to heat and expanded in axial direction, the bearing unit must be installed so that it or the shaft can freely move in axial direction.

If the rotational speed is relatively slow, provide the shaft with key groove, attach the full dog point set screw (special code G6) to the bearing, and use it as the free side unit. Fit the tip on the dog point of the set screw to the key groove on the shaft to guide the move of the shaft in axial direction.

Fig. 10.1 shows the structure example of bearing unit with key groove on shaft and full dog point set screw and use as free side unit. Table 10.7 shows the dimensions of key groove for the full dog point set screw.

If a bearing unit is used as the free side bearing unit by adopting this method, h7 is recommended as the tolerance class of the shaft to be used.

If temperature of the shaft is higher than that in the bearing, the shaft in the tolerance class allowing a greater fitting clearance must be used.

If a bearing unit is used as the free side unit by adopting the above method, fretting corrosion may occur to the fitting surface between the bearing inner ring and the shaft. In order to prevent fretting corrosion, application of grease onto the bore surface of the bearing when the bearing unit is installed.

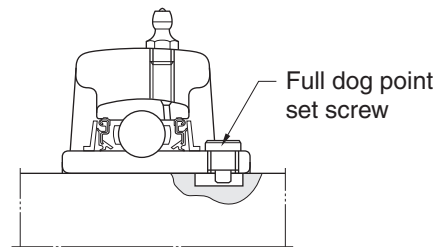
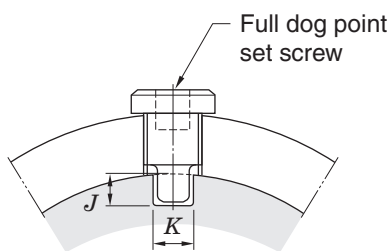


Fig. 10.1 Use on free side with full dog point set screw

Table 10.7 Dimensions of key groove for full dog point set screw (use on free side)

Nominal size of set screw	Dimensions of key groove (mm)		Applicable nominal bearing number		
	J	K (Min.)	UC200	UCX00	UC300
M6 × 0.75	5	4	201–206	X05	305, 306
M8 × 1	6	6	207–209	X06–X08	307
M10 × 1.25	6.5	7	210–212	X09–X11	308, 309
M12 × 1.5	7	9	213–218	X12–X17	310–314
M14 × 1.5	7	10		X18	315, 316
M16 × 1.5	8	12		X20	317–319
M18 × 1.5	8	13			320–324
M20 × 1.5	8	15			326, 328



Allowable tolerance of key groove dimension “K” (Recommended value : 0~+0.2)

(2) Use of cartridge type unit on free side

In the environment the rotational speed is relatively high or the bearing unit is exposed to vibration, use of the cartridge type unit as the free side unit and move of the bearing unit between the mounting bore on a machine and the outside surface of the housing in axial direction are recommended.

Fig. 10.2 shows the example of structure of the cartridge type unit as the free side unit.

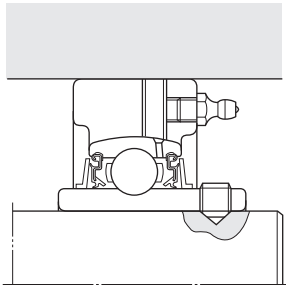


Fig. 10.2 Use of cartridge type unit on free side

If a ball bearing unit is exposed to heat, countermeasures against expansion of the shaft in axial direction as well as calculation of decrease in the internal clearance of the bearing to select the internal clearance of the bearing appropriately (see “8 Operating temperature and bearing specifications”).

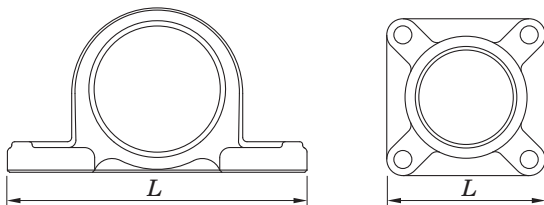
10.2 Design of base

10.2.1 Rigidity of base and flatness of mounting surface

If rigidity of the base that a ball bearing unit is to be installed is low or the flatness of the mounting surface is poor, vibration or abnormal noise may occur to the bearing unit during operation, leading to premature breakage or lower strength of the housing.

Therefore, the base that the ball bearing unit is to be installed must have enough rigidity, and the mounting surface must be finished with accuracy allowing elimination of deformation on the bearing or housing.

Fig. 10.3 shows the recommended values for flatness of the mounting surface of the base that the ball bearing unit is to be installed.



Max. : $L / 1\,000$ mm

Fig. 10.3 Flatness of mounting surface of base (recommended)

10.2.2 Mounting bore of cartridge type unit

The cartridge type unit is directly fit to the cylindrical bore of the base.

Under the standard operating conditions, select H7 as the tolerance class of cylindrical hole on the base that the cartridge type unit is to be installed. For such purposes that the shaft and the bearing inner ring are hot, select G7 as the tolerance class of cylindrical bore on the base.

In the environment the bearing unit is exposed to vibration or impact, selection of the tolerance class allowing smaller fitting clearance between the cylindrical bore of the base and the bearing unit is recommended.

Table 10.8 shows the tolerance of cylindrical bore of the base that the cartridge type unit is to be installed.

Table 10.8 Tolerance of cylindrical bore for mounting cartridge type unit (recommended)

Unit : μm

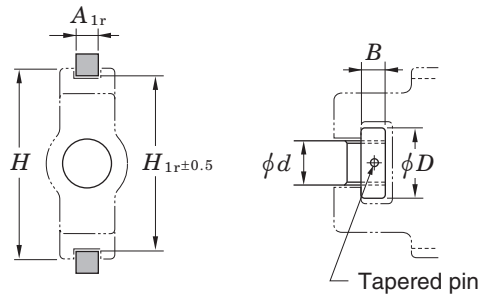
Nominal bore dia. of cylindrical bore (mm)		Tolerance of cylindrical bore			
		H7		G7	
over	up to	upper	lower	upper	lower
50	80	+30	0	+40	+10
80	120	+35	0	+47	+12
120	180	+40	0	+54	+14
180	250	+46	0	+61	+15
250	315	+52	0	+69	+17
315	400	+57	0	+75	+18

10.2.3 Dimensions relative to installation of take-up type unit

The take-up type unit is incorporated between the two guide rails on the base side, and enables adjustment of the support position with the shaft center by the adjuster bolt.

Table 10.9 shows the dimensions of the guide rail, adjuster bolt, and round nut to install the take-up type unit to the base.

Table 10.9 Dimensions relative to installation of take-up type unit (recommended)



Unit : mm

Nominal housing No.	Dimensions of guide rail			Dimensions of adjuster bolt and round nut		
	A_{1r}	H_{1r}	H (Reference)	d	D	B
T204 T205	11	77	89	16	28	14
T206 T207	11	90	102	18	32	14
T208	15	103	114	24	42	16
T209 T210	15	103	117	24	42	16
T211 T212	20	131	146	30	55	20 27
T213 T214 T215	24	152	167	36	60	27
T216	24	166	184	36	60	27
T217	28	174	198	42	60	30
TX05 TX06	11	90	102	18	32	14
TX07	15	103	114	24	42	16
TX08 TX09	15	103	117	24	42	16
TX10 TX11	20	131	146	30	55	20 27
TX12 TX13 TX14	24	152	167	36	60	27
TX15	26	166	184	36	60	27
TX16 TX17	26	174	198	42	60	30

Unit : mm

Nominal housing No.	Dimensions of guide rail			Dimensions of adjuster bolt and round nut		
	A_{1r}	H_{1r}	H (Reference)	d	D	B
T305	11	81	89	22	32	12
T306 T307	15	91 101	100 111	24 26	36 40	14
T308 T309	16	113 126	124 138	28 30	45 50	16 18
T310	18	141	151	32	55	20
T311 T312	20	151 161	163 178	34 36	60 65	22 24
T313 T314 T315	24	171 181 193	190 202 216	38 40 40	65 80 80	26 28 28
T316	28	205	230	46	90	34
T317 T318	30	216 230	240 255	46 50	90 95	34 38
T319	32	242	270	50	95	38
T320 T321	32	262	290	52	100	40
T322	36	287	320	55	110	44
T324	42	322	355	60	120	50
T326 T328	47	352 382	385 415	65 70	130 140	55 60

10.3 Machining dimensions of holes for housing dowel pins

The pillow block type, square-flanged type, and rhombic-flanged type housing have the dowel pin seat. If accurate positioning of the housing is required, install it with the dowel pin.

As for the position of the pin for fixing the housing and pin diameter, see the **Supplementary 5** at the end of this catalogue.

11 Tolerances and internal clearance

Tolerances of a ball bearing unit is specified in JIS B 1558 (ball bearing for ball bearing unit) and JIS B 1559 (housing for ball bearing unit). JTEKT produces products conforming to these standards.

11.1 Tolerances of bearing

Table 11.1 to Table 11.4 show the tolerance of a ball bearing for ball bearing unit.

Ball bearings for blower unit (special code S5) are produced with higher accuracy than standard types (see Table 11.3).

Table 11.5 shows the permissible values for chamfer dimensions of cylindrical bore bearing inner ring.

Table 11.2 Tolerances and permissible values of outer ring of ball bearing for ball bearing unit

Unit : μm

Nominal bearing outer dia. D (mm)		Mean outside diameter deviation ΔD_m		Radial runout of assembled bearing outer ring K_{ea}
over	up to	upper	lower	max.
18	30	0	-9	15
30	50	0	-11	20
50	80	0	-13	25
80	120	0	-15	35
120	150	0	-18	40
150	180	0	-25	45
180	250	0	-30	50
250	315	0	-35	60

[Remark] Values in Italics are prescribed in JTEKT standards.

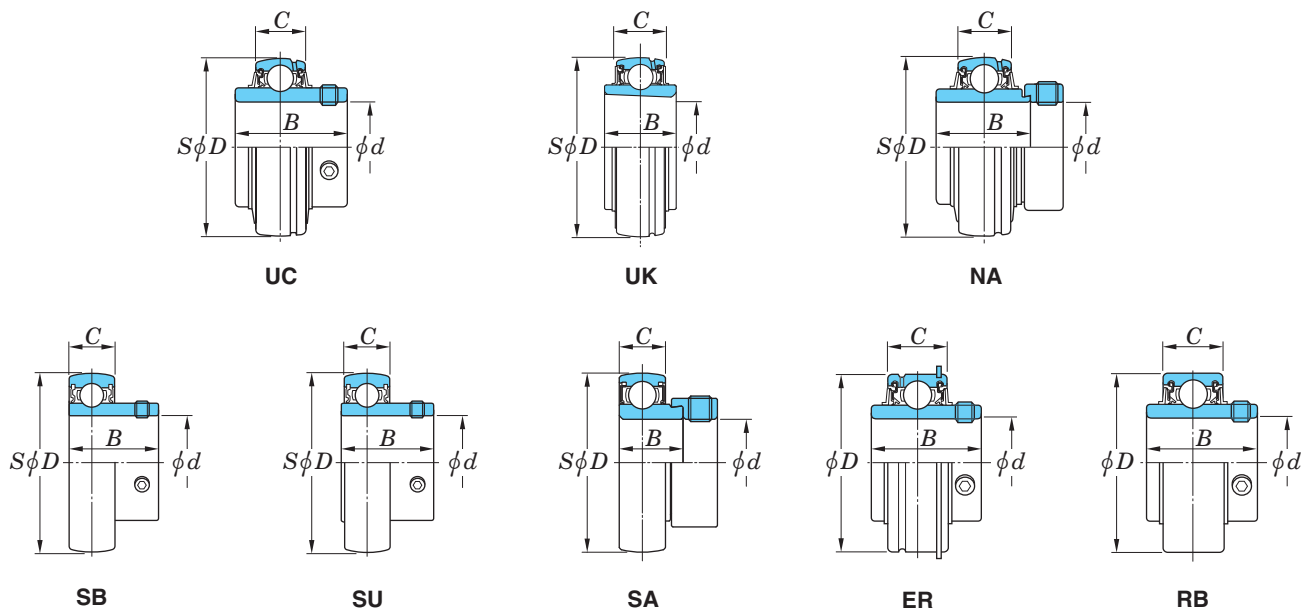


Table 11.1 Tolerances and permissible values of inner rings of ball bearings for ball bearing units

Unit : μm

Nominal bearing bore dia. d (mm)		Single plane mean bore diameter deviation Δd_{mp}		Single plane bore diameter variation V_{dsp}	eccentricity deviation of eccentric surface of inner ring and eccentric locking collar ΔH_s		Single inner (outer) ring width deviation $\Delta B_s (\Delta C_s)$		Radial runout of assembled bearing inner ring K_{ia}
over	up to	upper	lower	max.	upper	lower	upper	lower	max.
-	10	+15	0	10	+100	-100	0	-120	10
10	18	+15	0	10	+100	-100	0	-120	15
18	31.75	+18	0	12	+100	-100	0	-120	18
31.75	50.8	+21	0	14	+100	-100	0	-120	20
50.8	80	+24	0	16	+100	-100	0	-150	25
80	120	+28	0	19	+100	-100	0	-200	30
120	180	+33	0	22	+100	-100	0	-250	35

[Remark] Values in Italics are prescribed in JTEKT standards.

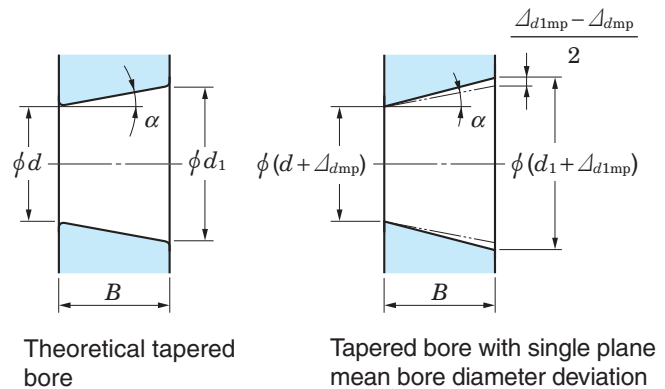
Table 11.3 Tolerances and permissible values of inner ring of ball bearing for blower unit (S5)

Unit : μm

Nominal bearing bore dia. d (mm)		Single plane mean bore diameter deviation Δ_{dmp}		Single plane bore diameter variation V_{dsp}	Radial runout of assembled bearing inner ring K_{ia}
over	up to	upper	lower	max.	max.
10 ¹⁾	18	+13	0	6	7
18	31.75	+13	0	6	8
31.75	50.8	+13	0	10	10
50.8	80	+15	0	10	10
80	120	+18	0	14	13
120	180	+23	0	14	18

Note 1) 10 mm should be included in this category.

Table 11.4 Tolerances and permissible values for tapered bore of bearing



Theoretical tapered bore

Tapered bore with single plane mean bore diameter deviation

Unit : μm

Nominal bearing bore dia. d , mm		Δ_{dmp}		$\Delta_{d1mp} - \Delta_{dmp}$		V_{dsp} ¹⁾
over	up to	upper	lower	upper	lower	max.
18	30	+33	0	+21	0	13
30	50	+39	0	+25	0	16
50	80	+46	0	+30	0	19
80	120	+54	0	+35	0	22
120	180	+63	0	+40	0	40

Note 1) To be applied to all the radial planes of tapered bore

[Remarks] 1. Applicable range

Applicable to tapered bore of inner ring of tapered bore radial bearing that standard value of taper ratio is 1/12

2. Amount code

d_1 : Standard diameter at theoretical large end of tapered bore $d_1 = d + \frac{1}{12} B$

Δ_{dmp} : Single plane mean bore diameter deviation at theoretical small end of tapered bore

Δ_{d1mp} : Single plane mean bore diameter deviation at theoretical large end of tapered bore

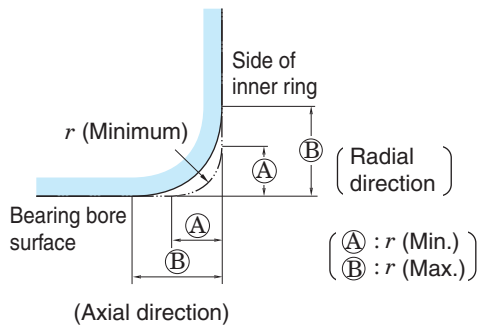
V_{dsp} : Single plane bore diameter variation (a tolerance for the diameter variation given by a maximum value applying in any radial plane of the bore)

B : Nominal inner ring width

α : 1/2 of nominal tapered angle of tapered bore

$$\begin{aligned} \alpha &= 2^\circ 23' 9.4'' \\ &= 2.38594^\circ \\ &= 0.041643 \text{ rad} \end{aligned}$$

Table 11.5 Permissible values for chamfer dimensions of inner ring of bearing with cylindrical bore



Unit : mm

r (Min.)	r (Max.)	
	Radial direction	Axial direction
0.6	1	2
1	1.5	3
1.1	2	3.5
1.5	2.3	4
2	3	4.5
2.1	4	6.5
2.5	3.8	6
3	5	8
4	6.5	9

[Remark] There shall be no specification for the accuracy of the shape of the chamfer surface, but its outline in the axial plane shall not be situated outside of the imaginary circle arc with a radius of r_{min} or $r_{1 min}$ which contacts the inner ring side face and bore, or the outer ring side face and outside surface.

11.2 Tolerances of housing

As the tolerance of the housing for a ball bearing unit, tolerance of the diameter of spherical bearing seat fit to the bearing, and tolerance and permissible value of dimensions relative to installation of the housing are specified.

Table 11.6 shows the tolerance of diameter of the spherical bearing seat of housing. Usually, select tolerance class J7 that allows transition fitting of the housing and the bearing.

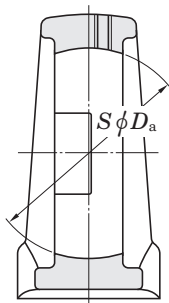
If priority should be given to operability in installation to a machine, select tolerance class H7 allowing clearance fitting. The unit conforming JIS of tolerance class H7 is equipped with the detent to the outer ring to prevent turning of the outer ring.

If rotating outer ring load occurs or the bearing is rotated while the shaft is stopped, select the tolerance K7 allowing interference fit.

Fig. 11.1 shows the representative example of dimensions relative to installation of the housing with tolerance and permissible value. Respective dimensional tables show the tolerance and permissible values of dimensions relative to installation of the housing.

Table 11.6 Tolerances of spherical bearing seat diameter of housing

Unit : μm



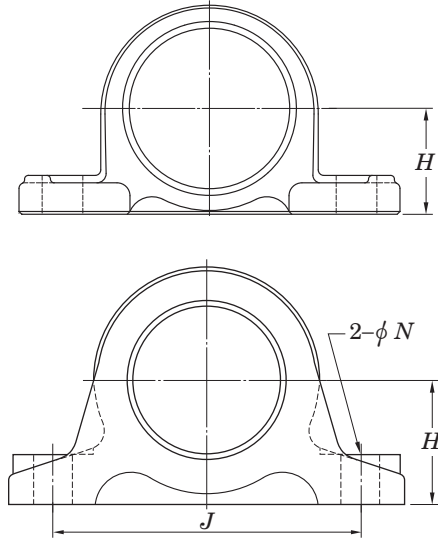
Nominal dia. of spherical bearing seat D_a (mm)		Tolerance class H7		Tolerance class J7		Tolerance class K7	
		Deviation of spherical bearing seat dia. ΔD_{am}		Deviation of spherical bearing seat dia. ΔD_{am}		Deviation of spherical bearing seat dia. ΔD_{am}	
over	up to	upper	lower	upper	lower	upper	lower
18	30	+21	0	+12	-9	+6	-15
30	50	+25	0	+14	-11	+7	-18
50	80	+30	0	+18	-12	+9	-21
80	120	+35	0	+22	-13	+10	-25
120	180	+40	0	+26	-14	+12	-28
180	250	+46	0	+30	-16	+13	-33
250	315	+52	0	+36	-16	+16	-36

[Remark] JTEKT generally applies class J to housing designs.

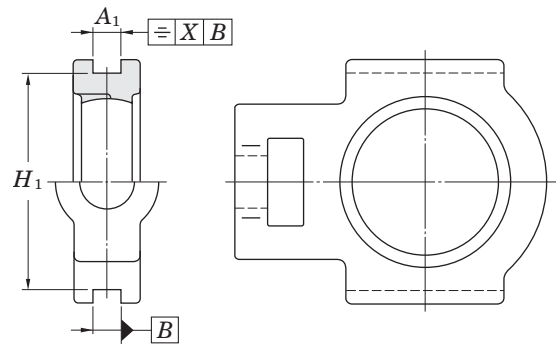
Class H and class K can also be applied depending on the application.

Fig. 11.1 Dimensions relative to installation of housing with tolerance and permissible value (representative example)

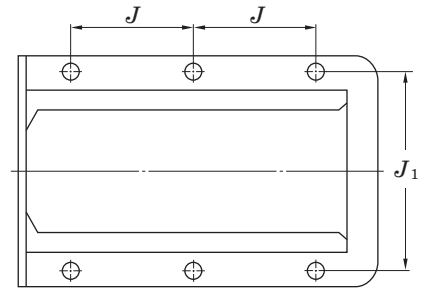
Pillow block type housing



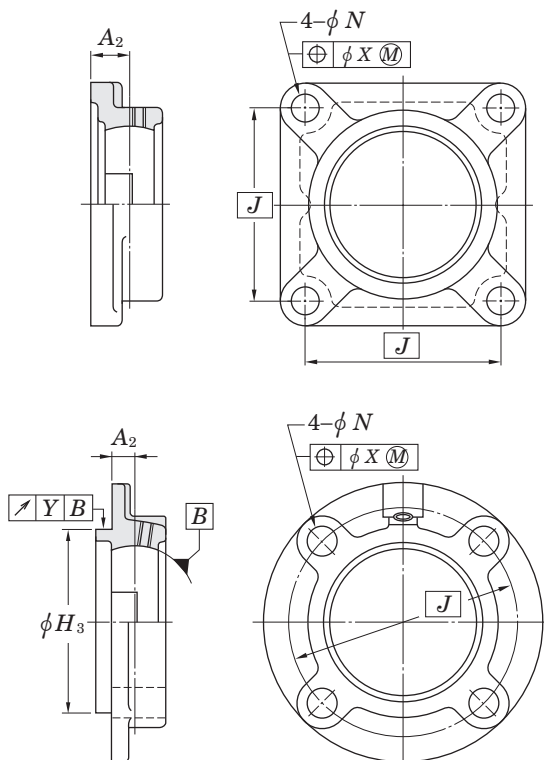
Take-up type housing



Frame for take-up type unit



Flange type housing



Cartridge type housing

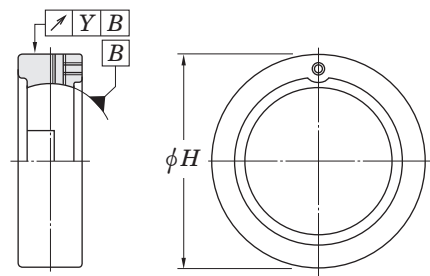


Table 11.7 shows standard tolerance of cut or cast portions not specified in this catalogue.

Table 11.7 Standard tolerance not specified respectively

Item	Standard No.	Class
Cutting	JIS B 0405	Medium
Casting of cast iron	JIS B 0403	Standard
Casting of cast steel	JIS B 0403	Standard

[Remark] Respective tolerances and permissible values for housing are shown in dimensional tables.

11 Tolerances and internal clearance

11.3 Bearing internal clearance

Ball bearing internal clearance for ball bearing unit is specified by the move at the time the inner ring or outer ring is moved in the radial direction (radial internal clearance). Value of internal clearance during operation (to be called operation clearance) gives a great influence on rolling fatigue life of the bearing, heat, noise, and vibration.

If the bearing inner ring is installed to the shaft with interference, the internal clearance of bearing must be fixed taking expansion of the bearing inner ring into consideration. If transmission heat to the shaft is high or hot steam runs through the hollow of the shaft, calculate the decrease of internal clearance, and appropriately select the internal clearance of bearing (see “8 Operating temperature and bearing specifications”).

Table 11.8 shows the internal clearance applicable to specifications of ball bearing for Koyo Ball Bearing Unit, and Table 11.9 shows the standard values of bearing internal clearance.

Table 11.8 Internal clearance applicable to types of ball bearing for ball bearing unit

Type	Applicable internal clearance	
	Bearing with cylindrical bore	Bearing with tapered bore
Standard type	CN	C3
Stainless steel type	C3	–
Heat resistant type (special code : D1K2)	C4	C5
Cold resistant type (special code : D2K2)	CN	C3
High speed type (special code : K3)	CN	C3
For blower (special code : S5)	C2	C3

[Remark] For the bearings that the internal clearance in this table is applied, no clearance code is indicated.

Table 11.9 Standard values for internal clearance of ball bearing for ball bearing unit

Unit : μm

Nominal bearing bore dia. d (mm)		Internal clearance											
		C2		CN		GN		C3		C4		C5	
over	up to	lower	upper	lower	upper	lower	upper	lower	upper	lower	upper	lower	upper
6	10	0	7	2	13	–	–	8	23	14	29	20	37
10	18	0	9	3	18	10	25	11	25	18	33	25	45
18	24	0	10	5	20	12	28	13	28	20	36	28	48
24	30	1	11	5	20	12	28	13	28	23	41	30	53
30	40	1	11	6	20	13	33	15	33	28	46	40	64
40	50	1	11	6	23	14	36	18	36	30	51	45	73
50	65	1	15	8	28	18	43	23	43	38	61	55	90
65	80	1	15	10	30	20	51	25	51	46	71	65	105
80	100	1	18	12	36	24	58	30	58	53	84	75	120
100	120	2	20	15	41	28	66	36	66	61	97	90	140
120	140	2	23	18	48	33	81	41	81	71	114	105	160

- [Remarks] 1. Radial internal clearance in this table conforms to JIS B 1558 (ball bearing for ball bearing unit).
 2. Increase in radial internal clearance generated by measured load conforms to the table below.
 Smaller correction of C2 clearance is applicable to the lower clearance, while larger correction is applicable to the upper clearance.

Unit : μm

Nominal bearing bore dia. d (mm)		Measured load	Correction of clearance				
over	up to		N	C2	CN	GN, C3	C4
2.5	18	24.5	3 – 4	4		4	
18	50	49	4 – 5	5		6	
50	280	147	6 – 8	8		9	

12 Materials

12.1 Materials of bearing

Ball bearings for ball bearing unit are made of the following materials : bearing rings (outer and inner rings) and rolling elements (balls) are made of steel, and cages are made of pressed steel.

These bearing materials need the features shown below.

- (1) Higher elastic limit is required, since high contact stress occurs partially.
- (2) Higher rolling fatigue strength is required, since great contact load occurs repeatedly.
- (3) Superior hardness
- (4) Superior wear resistance
- (5) Superior toughness against impact load
- (6) Superior stability of dimensions

As the material of bearing rings (outer and inner rings) and rolling elements (balls) of the ball bearing for Koyo Ball Bearing Unit, high carbon chromium bearing steel specified in JIS is used.

For more reliability of bearing, vacuum degassing is executed against high carbon chromium bearing steel to reduce non-metallic inclusion and included oxygen. After the materials of bearing are made into the specified form, quench-and-temper is executed until its hardness is 60HRC.

Table 12.1 shows the chemical components of high carbon chromium bearing steel. As the material of bearing rings and rolling elements of the ball bearings for stainless-series unit (special code : S6), stainless steel with superior corrosion resistance is used. Cages are made of cold-reduced carbon steel sheets and strips specified in JIS.

Table 12.2 shows the chemical compositions of cold-reduced carbon steel sheets and strips specified in JIS.

12.2 Materials of housing

A housing for ball bearing unit is mainly made of gray iron casting products, carbon steel casting products, structural steel, cold-reduced carbon steel sheets and strips.

Gray iron casting is the most popular as the material of housing for ball bearing unit, featuring absorption of vibration, damping superior to other materials, easy and varied forming by casting, appropriate strength, and excellent heat property.

Table 12.3 shows the mechanical properties of gray iron casting.

If superior strength is required for the housing for ball bearing unit, select carbon steel casting products with higher rupture strength, carbon steel casting, or general structural rolled steel with higher strength against impact.

For the material of housings of the “compact” series unit, zinc alloy die-cast is used, and corrosion-resistant cast steel products are used for housings of the stainless series unit. Cold-reduced carbon steel sheets and strips are used as the material of housings for the pressed steel unit.

Table 12.4 to **12.8** show the mechanical properties of these housing materials.

Spheroidal graphite iron casting (FCD450-10 of JIS G 5502) may be used, as well as these materials.

Table 12.1 Chemical compositions of high carbon chromium bearing steel (JIS G 4805)

Code	Chemical components (%)						
	C	Si	Mn	P	S	Cr	Mo
SUJ 2	0.95– 1.10	0.15– 0.35	0.50 or less	0.025 or less	0.025 or less	1.30– 1.60	0.08 or less
SUJ 3	0.95– 1.10	0.40– 0.70	0.90– 1.15	0.025 or less	0.025 or less	0.90– 1.20	0.08 or less

Table 12.2 Chemical compositions of cold-reduced carbon steel sheets and strips (SPCC) (JIS G 3141)

Code	Chemical components (%)						
	C	Si	Mn	P	S	Ni	Cr
SPCC	0.15 or less	–	0.60 or less	0.100 or less	0.035 or less	–	–
SPCD	0.10 or less	–	0.50 or less	0.040 or less	0.035 or less	–	–

Table 12.3 Mechanical properties of gray iron casting (FC200) (JIS G 5501)

Type code	Tensile strength N/mm ²	Hardness HB
FC200	200 or more	223 or less

Table 12.4 Mechanical properties of general structural rolled steel (SS400) (JIS G 3101)

Type code	Yielding point or bearing force N/mm ²			Tensile strength MPa	Thickness of steel mm	Tensile test piece	Elongation %	Bendability		
	Thickness of steel mm							Bending angle	Inside dia.	Test piece
	incl. 16	Over 16 incl. 40	Over 40							
SS400	245 or more	235 or more	215 or more	400– 510	Over 5, 16 max.	No.1A	17 or more	180°	1.5 times of thickness	No.1
					Over 16, 40 max.	No.1A	21 or more			
					Over 40	No.4	23 or more			

Table 12.5 Mechanical properties of zinc alloy die-cast (ZDC02) (JIS H 5301) (Reference)

Code	Tensile strength MPa	Elongation %	Impact MJ/m ²	Hardness HB
ZDC2	285	10	1.4	82

Table 12.6 Mechanical properties of corrosion-resistant cast steel (SCS13) (JIS G 5121)

Type code	Bearing force MPa	Tensile strength MPa	Elongation %	Hardness HB
SCS13	185 or more	440 or more	30 or more	183 or more
SCS14	185 or more	440 or more	28 or more	183 or less

Table 12.7 Mechanical properties of cold-reduced carbon steel sheets and strips (SPCC) (JIS G 3141)

Type code	Tensile strength MPa	Elongation %
SPCC	270 or more	34 or more
SPCD	270 or more	36 or more

Table 12.8 Mechanical properties of ductile cast iron (FCD450-10) (JIS G 5502)

Type code	Tensile strength N/mm ²	Elongation %
FCD	450 or more	10 or more

12.3 Materials of parts and accessories

Table 12.9 shows materials of parts and accessories of a ball bearing unit.

Table 12.9 Materials of parts and accessories of ball bearing units

Designations	Materials	Code	Standard code
Oil seal (standard type)	Nitrile rubber	NBR	–
Oil seal (heat resistant, cold resistant)	Silicone rubber	VMQ	–
Flinger (slinger)	Cold-reduced carbon steel sheets and strips	SPCC	JIS G 3141
Stainless steel Flinger (slinger)	Cold rolled stainless steel plate and steel strip	SUS304-CP, SUS304-CS	JIS G 4305
Pressed steel cover	Cold-reduced carbon steel sheets and strips	SPCD	JIS G 3141
Pressed stainless steel cover	Cold rolled stainless steel plate and steel strip	SUS304-CP, SUS304-CS	JIS G 4305
Cast iron cover	Gray casting iron products	FC200	JIS G 5501
Hexagon socket set screw	Chrome molybdenum steel	SCM435	JIS G 4053
Stainless steel hexagon socket set screw	Stainless bar steel	SUS304	JIS G 4303
Adapter sleeve for bearing	Mechanical structural carbon steel	S17C	JIS G 4051
Lock nut for bearing	Mechanical structural carbon steel	S17C	JIS G 4051
Washer for bearing	Cold-reduced carbon steel sheets and strips	SPCC	JIS G 3141
Eccentric locking collar	Mechanical structural carbon steel	S17C	JIS G 4051
Grease nipple	Copper and copper alloy rod	SUM24L	JIS G 4804

13 Performance

13.1 Friction torque of bearing

Friction torque of a ball bearing for ball bearing unit is the synthesis of rolling friction between the rolling elements (balls) and the bearing rings (outer and inner rings), sliding friction between the rolling elements and the cages, agitating resistance of lubricants, and friction resistance of oil seal.

Greatness of friction torque is influenced by the type, dimensions, load, and rotational speed of bearing, and lubricating conditions.

For the ball bearing unit, oil seals with especially superior dustproof performance are adopted to improve sealing performance of the bearing. Thus, friction resistance of the oil seal greatly depends on the friction torque of the bearing.

Friction torque of the ball bearing for ball bearing unit can be found by the Equations below.

$$M = M_p + M_k \dots\dots\dots (13.1)$$

$$M_p = \mu \cdot P \cdot \frac{d}{2} \dots\dots\dots (13.2)$$

Whereas,

M :	Friction torque of bearing	mN · m
M_p :	Friction torque of sections changed by load	mN · m
M_k :	Friction torque of sections changed by rotational speed	mN · m
μ :	Friction coefficient (0.001 5 to 0.002)	
P :	Load applied to bearing	N
d :	Nominal bearing bore dia.	mm

Note that the agitating resistance of lubricants and the friction resistance of oil seal are difficult to be calculated, since they are fluctuated by rotational speed.

Fig. 13.1 shows the result of measurement of friction torque of the typical ball bearing unit.

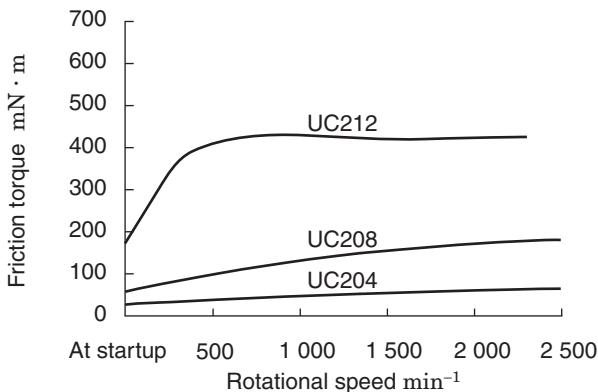


Fig. 13.1 Example of measurement result of ball bearing unit

13.2 Increase in temperature of bearing

Increase in temperature of the ball bearing for ball bearing unit is indicated as heat energy converted from the friction torque in the bearing during operation. Temperature of the bearing during operation increases in proportion to the greatness of friction torque and rotational speed (friction torque increases in proportion to the greatness of load).

Increase in temperature of the ball bearing for ball bearing unit depends on the heating value generated by friction in the bearing and that discharged outside from the surface of the bearing and housing. Therefore, increase in temperature of the ball bearing for ball bearing unit is influenced by the environmental conditions of the location that the ball bearing unit is installed (quality of heat radiation environment).

Temperature of the ball bearing unit is increased gradually after the startup of operation, and reaches the maximum level after one or two hours, if no abnormality occurs. Then, it is decreased a little, and enters the steady-state (see Fig. 13.2).

In this manner, if the operating conditions are not changed, bearing temperature is virtually constant, and therefore, measurement of temperature and assumption of the status of bearing are enabled.

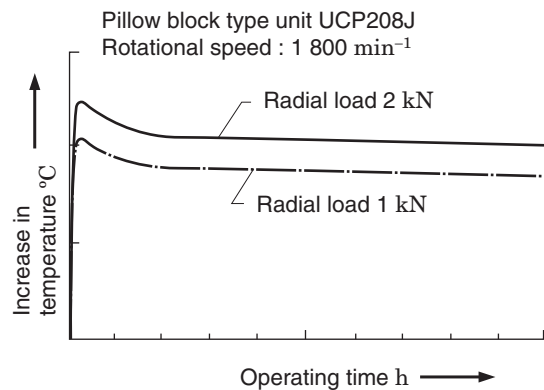


Fig. 13.2 Example of temperature measurement during operation of pillow block type unit

Increase in temperature during operation of the ball bearing unit depends on the type of oil seal used for the bearing as well as friction torque.

Increase in temperature of the triple-lip seal type (supplementary code L3) is greater than the standard type, and that of the non-contact seal type (special code K3, S5) is smaller than the standard type.

The bearing units for high speed and blower are equipped with the non-contact type oil seals for high speed use and reduction of heat, vibration, and noise.

13.3 Dustproof and waterproof performance

JTEKT executes various tests to check dustproof and waterproof performance of the ball bearing unit. Representative test results are shown below.

13.3.1 Dust sprinkle rotating test (dust preventive performance)

Use the drum type dust sprinkle rotating test machine for this test. Directly sprinkle dusts onto the ball bearing unit while it is being operated, and then, judge the dust preventive performance of the product.

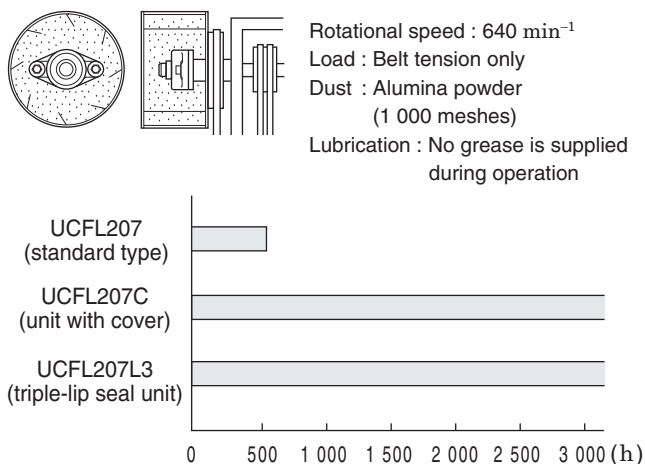


Fig. 13.3 Example of result of dust sprinkle rotating test (dust preventive performance)

In the case of the standard type, abnormal noise occurred about 500 hours after operation was started, and ingress of dusts was recognized.

On the other hand, no abnormality was found in the triple-lip seal type (supplementary code L3) and the covered type (supplementary code C) even after about 3 000 hours after operation was started, and superior dust proof performance was recognized.

13.3.2 Dust bury rotating test (dust preventive performance)

Bury the ball bearing unit into dusts, and run it with the impeller installed to the shaft while stirring dusts, and judge the dust preventive performance of the product. This test is executed under the severest conditions among the operating conditions of the ball bearing unit.

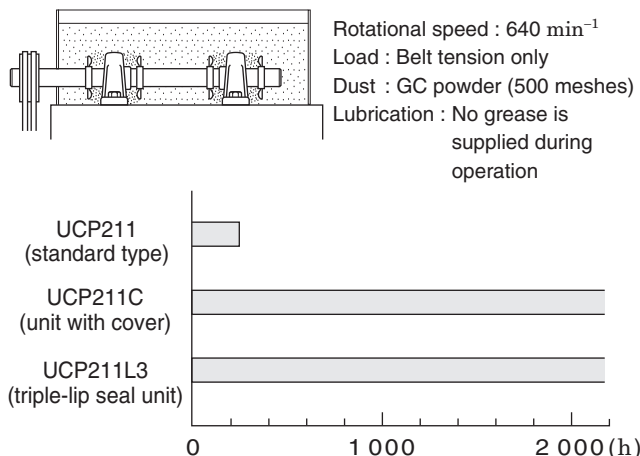


Fig. 13.4 Example of result of dust bury rotating test (dust preventive performance)

In the case of the standard type, abnormal noise occurred about 200 hours after operation was started, and ingress of dusts was recognized.

On the other hand, no abnormality was found in the triple-lip seal type (supplementary code L3) and the covered type (supplementary code C) even after about 2 000 hours after operation was started, and superior dust preventive performance was recognized.

13.3.3 Waterproof performance test

In this test, water is splashed directly impellers installed on the shaft.

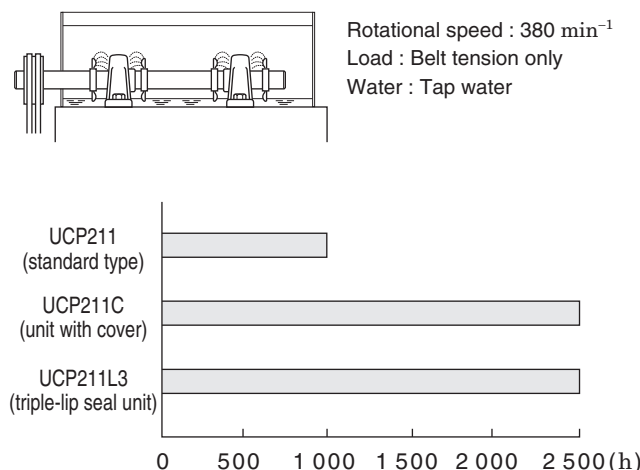


Fig. 13.5 Example result of waterproof performance test

In the case of the standard type, rust was found on the balls and raceway surface (outer and inner rings) about 1 000 hours after operation was started.

On the other hand, rust of equal level to the standard type was found in the triple-lip seal type (supplementary code L3) and the covered type (supplementary code C) after about 2 500 hours after operation was started.

14 Handling

The most significant feature of the ball bearing unit is simplicity of handling and installation. However, if handling or installation is wrong, premature breakage may occur to the ball bearing unit.

Therefore, handle and install it appropriately for genuine performance of the ball bearing unit.

14.1 Installation

14.1.1 Installation of unit with set screws

When installing the unit to the shaft with the set screws, it is enough to tighten the two set screws of the bearing inner ring with the specified torque.

However, if the environment is exposed to impact or vibration, the shaft is rotated in normal and reverse directions, or the machine is started and stopped frequently and repeatedly, grind the surface of the shaft where the set screw contacts with a file so that the flat seat (**Fig. 14.1**) or drilled seat (**Fig. 14.2**) is provided. It improves the tightening effect of the set screw substantially.

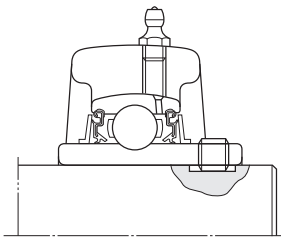


Fig. 14.1 Flat seat provided for shaft
(for improvement in set screw tightening effect)

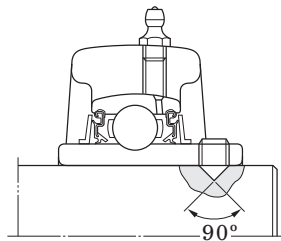


Fig. 14.2 Drilled seat provided for shaft
(for improvement in set screw tightening effect)

If the environment is exposed to a great axial load or excessive vibration, use the shouldered shaft, and tighten the bearing inner ring with the nut (**Fig. 14.3**).

As for the dimensions of the shouldered shaft, see “10 Design of shaft and base”.

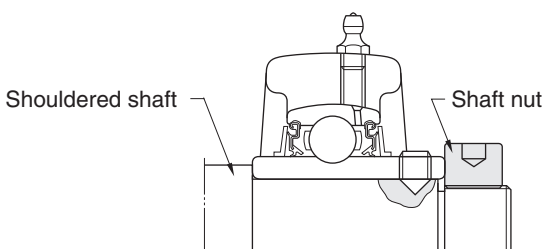





Fig. 14.3 Example of installation with using shouldered shaft and nut

The standard Koyo Ball Bearing Unit is equipped with the Bullet Point set screw featuring secure tightening to shaft. Other set screws are also available depending on your purposes and operating conditions (see **Table 14.1**).

Table 14.1 Set screw of ball bearing for unit

Designations (code)	Details
Bullet Point (no indication)  *Bullet Point is developed by NIPPON PILLOW BLOCK CO., LTD. (FYH).	The tip of the Bullet Point setscrew has a ball shape, and it is designed to firmly grip the shaft by expanding its threads outward against the threads of the inner ring of the bearing as it is tightened. When shock or vibration are problems, the Bullet Point setscrew can remain affixed to the shaft longer than other set screw styles including double point, ball point, or others.
Pointed (G4) 	The cone point set screw has a 90° angle and fits a drilled cone seat in the shaft. It allows correct positioning on the shaft and prevents shaft movement in an axial direction.
Full dog point cap (G6) 	The full dog point set screw fits into the key groove in the shaft and allows for expansion and contraction of the shaft.

Procedures for installation of the ball bearing unit with set screw are shown below.

- (1) Inspect the unit to ensure that the rigidity of the base, flatness of the mounting surface, variation of tolerance of the shaft meet the standards. Check for bend, flaw, or burr on the shaft.
- (2) Make sure that the tip of the set screw does not exceed the bearing bore diameter surface.
- (3) Fit the bearing unit to the shaft, and place it to the specified position. To fit it to the shaft with tight fitting, press-fit the bearing unit to the shaft with a press, cold-fit by cooling the shaft, or shrink-fit the bearing unit by warming it with air bath (100 °C or less).

Avoid hitting the side of the bearing inner ring with a hammer to press-fit the bearing to the shaft.

- (4) Place the bearing unit to the specified position on the base, and fix it with bolts (**Fig. 14.4**).

Tighten the mounting bolt of the housing with the specified torque by a torque wrench. As for the tighten-

ing torque of the mounting bolt, see the **Supplementary table 2** at the end of this catalogue.

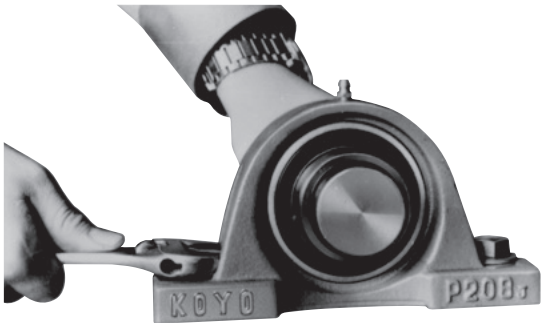


Fig. 14.4 Fixing ball bearing unit to base

(5) Tighten the set screws (two) of a bearing inner ring with the specified tightening torque evenly (**Fig. 14.5**).

As for the tightening torque of the set screw, see the **Supplementary table 3** at the end of this catalogue.

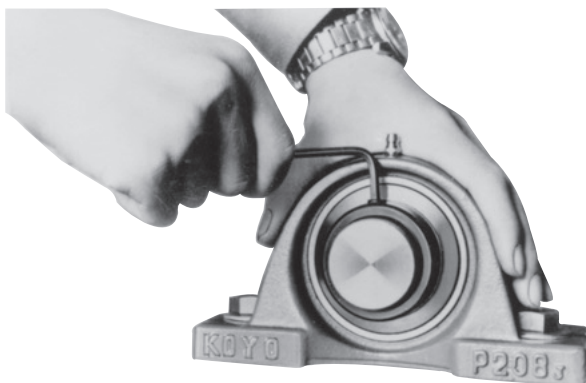


Fig. 14.5 Tightening of set screw

(6) Turn the shaft with your hands, and tighten the set screws (two) of another bearing inner ring with the specified torque.

(7) At last, turn the shaft with your hands, and check for abnormality in turning status of the bearing.

14.1.2 Installation of unit with adapter

To install the bearing with tapered bore to the shaft, set the adapter assembly (sleeve, locknut and washer) between the bearing bore diameter and the shaft. The bearing can be securely fixed even in the environment exposed to excessive vibration or impact.

If tightening of the locknut is loose, fitting to the shaft may be loosened during operation, and slippage occurs to the fitting surface, leading to wear on the shaft or parts. On the contrary, if tightening of the locknut is excessive, the bearing inner ring is expanded, and internal clearance of the bearing is too small, causing abnormal heat or premature breakage. Therefore, pay close attention to installation of the bearing with adapter.

Procedures for installation of the ball bearing unit with adapter assembly are shown below.

(1) Inspect the unit to ensure that the rigidity of the base, flatness of the installing surface, and variation of tolerance of the shaft meet the standards. Check for bend, flaw, or burr on the shaft.

(2) Fit the adapter sleeve to the shaft, and move the adapter sleeve to the installing position of the bearing unit.

If the fitting is too tight to insert the adapter sleeve, put a screwdriver into the cutout of the adapter sleeve, and expand the cutout for easier fitting.

(3) Fit the bearing unit to the shaft.

Then, place the cylindrical backing plate to the whole side of the bearing inner ring that the locknut is to be attached, and tap all around the large diameter side end face to fit the bore diameter surface of the bearing inner ring to the tapered surface of the adapter sleeve closely (**Fig. 14.6**).

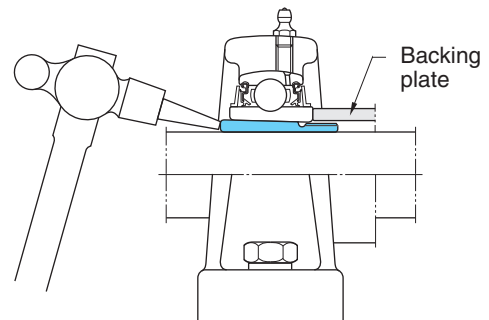


Fig. 14.6 Fitting adapter sleeve to bearing with tapered bore

(4) Fit the washer and locknut to the adapter sleeve, and tighten the locknut with your hands.

(5) Place the bearing unit to the specified position of the base, and fix it with the bolts.

Tighten the mounting bolt of the housing with the specified torque by a torque wrench.

As for the tightening torque of the set screw, see the **Supplementary table 2** at the end of this catalogue.

(6) Tighten the locknut of the adapter.

When tightening the locknut, tighten it with a wrench for tightening, or place a jig onto the cutout of the locknut outer surface, and tap the jig with a hammer and turn the locknut by 1/4 to 1/3 turn (**Fig. 14.7**).

As for the tightening torque of the locknut, see the **Supplementary table 4** at the end of this catalogue.



Fig. 14.7 Tightening locknut

- (7A) For the pillow block type unit, loosen the mounting bolts on a housing, adjust the position of the bearing unit in the axial direction while turning the shaft by your hands, and then, tighten the mounting bolt on the housing with the specified torque again.
- (7B) For the flange type unit, positions of the bearing and housing in the axial direction must be fit completely. Therefore, pay close attention and tighten the locknut to prevent any error of the position of bearing inner ring.
- (8) Bend the outer tab on a washer that fits to the position of cutout on the outer surface of the locknut, and lock the locknut (**Fig. 14.8**).



Fig. 14.8 Bending outer tab of washer (Locking locknut)

- (9) At last, turn the shaft with your hands, and check for abnormality in the rotating status of the bearing.

14.1.3 Installing unit with eccentric locking collar

When installing the bearing to the shaft with the eccentric ring, fit the eccentric section of the end outside surface of the bearing inner ring to the eccentric recessed section provided on the eccentric locking collar, turn the eccentric locking collar, and tighten the set screw of the eccentric locking collar to fix the bearing to the shaft.

Since the rotating force of the shaft increases the tightening force of the eccentric ring to the shaft, the unit with eccentric locking collar allows secure fixing of the bearing (**Fig. 14.9**).

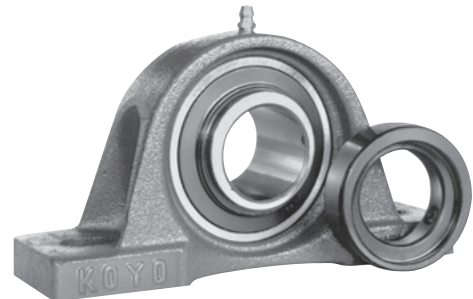


Fig. 14.9 Ball bearing unit with eccentric locking collar

Procedures for installation of the ball bearing unit with eccentric locking collar are shown below.

- (1) Inspect the unit to ensure that the rigidity of the base, flatness of the mounting surface, and variation of tolerance of the shaft meet the standards. Check for bend, flaw, or burr on the shaft.
- (2) Fit the bearing unit to the shaft, and place it on the specified position.
- (3) Install the bearing unit to the specified position of the base, and fix it with the bolts.

Tighten the mounting bolts for the housing with the specified torque with a torque wrench.

For the tightening torque of the mounting bolt, see the **Supplementary table 2** at the end of this catalogue.

- (4) Fit the eccentric section of the bearing inner ring to the eccentric recessed section provided on the eccentric locking collar, turn the eccentric locking collar in the shaft turning direction, and tighten the set screw of the eccentric locking collar with the specified torque (**Fig. 14.10**).

For the tightening torque of the set screw, see the **Supplementary table 3** at the end of this catalogue.



Fig. 14.10 Installing eccentric locking collar

- (5) Turn the shaft with your hands. Then, fix the eccentric locking collar of another bearing unit to the bearing inner ring, and tighten the set screw of the eccentric locking collar with the specified torque.
- (6) At last, turn the shaft with your hands, and check for abnormality in the rotating status of the bearing.

14.1.4 Installing unit with cover

Covers for ball bearing unit are available in two types, pressed steel and cast iron. Install both the covers at last after installation of the bearing and housing is complete.

Procedures for installation of the ball bearing unit with cover are shown below.

- (1) Apply grease all around the seal lip of the cover, and pack the internal space of the cover with grease (approximately 1/3 to 1/2 of the space capacity) (Fig. 14.11).

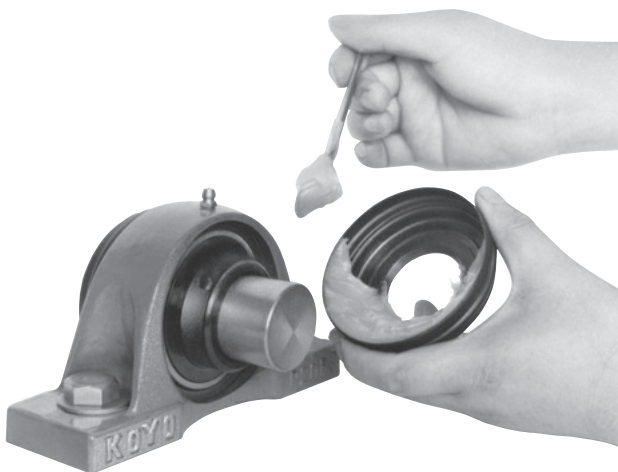
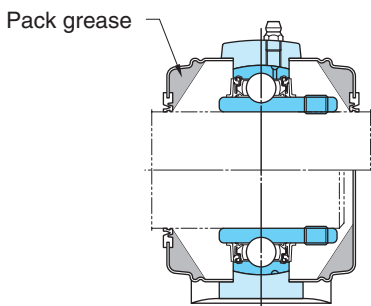


Fig. 14.11 Packing grease in internal space and seal lip of cover

- (2) Put a cover through the shaft, and then, fit the bearing unit to the shaft.
- (3) Fit the cover through the shaft to the cover groove on the housing, and fix it.
- (4A) For the pressed steel cover, tap all around the cover evenly with a synthetic resin hammer to prevent deformation, and install it to the housing (Fig. 14.12).

To remove the pressed steel cover, put a screwdriver into the groove on the periphery of the cover, and slightly pry it.

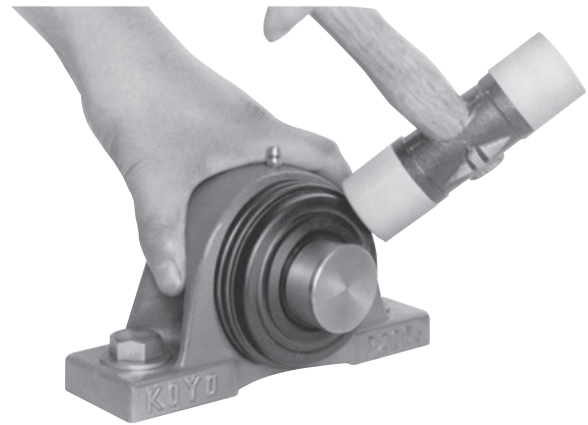


Fig. 14.12 Installing steel plate cover

- (4B) When installing the cast iron cover, fit the cover to the cover groove of the housing, and fix it with the bolt. For the tightening torque of the cast iron cover mounting bolt, see the **Supplementary table 2** at the end of this catalogue.
- (5) Install another cover to the housing in a similar manner.
- (6) Check for abnormality of the installed cover.
- (7) At last, turn the shaft with your hands, and check for abnormality in the rotating status of the bearing.

14.2 Test run inspection

After installation of the ball bearing unit is complete, execute the test run inspection to ensure that it is done appropriately.

The test run inspection should be executed by following the procedures below. Check for abnormality in the bearing unit.

- (1) Turn the shaft with your hands, and make sure that the bearing is rotated smoothly. If any jam, vibration, great rotation torque (heavy), or uneven rotation is found, the bearing is judged to be faulty.
- (2) Execute power run with no load and at a low speed, and check for abnormal noise and vibration.
- (3) Carry out power run under the specified conditions, and check for abnormal noise, vibration, and temperature increase.

Table 14.2 shows the main faults that may occur during the test run inspection of the ball bearing unit and causes.

Table 14.2 Main faults occurred during test run inspection and their causes

Faults	Causes
Excessively great torque, uneven rotating torque	(1) Faulty installation, leading to preload onto bearing in axial direction (2) Inappropriate handling or installation, leading to interference of oil seal with flinger (slinger) (3) Excessive tightening of locknut (adapter), leading to too small internal clearance of bearing
Abnormal noise, abnormal vibration	(1) Insufficient tightening of set screw of bearing inner ring or mounting bolt of housing (2) Excessively large internal clearance of bearing (3) Bend on shaft, deviation of shaft center of shouldered shaft (4) Faulty accuracy of shaft (5) Insufficient rigidity or faulty flatness of base
Abnormal temperature increase	(1) Excessively small internal clearance of bearing (2) Inappropriate installation, leading to preload onto bearing in axial direction (3) Great load applied (4) Allowable rotational speed is exceeded (5) Faulty flatness of base (6) Inappropriate handling or installation, leading to interference of oil seal with flinger (slinger)

14.3 Periodic inspection

Koyo Ball Bearing Units do not need to be inspected, as well as standard sealed bearings. However, for especially important purposes, periodic inspection must be executed with appropriate intervals for safe operation of the bearing unit.

Since a ball bearing unit cannot be disassembled for inspection of internal status, check the appearance and operating status as shown below, and ensure that the bearing unit is free from fault or not.

- (1) Appearance
- (2) Looseness of set screw of bearing inner ring or mounting bolt of housing
- (3) Vibration, noise
- (4) Temperature
- (5) Grease supply interval, check of supplied amount

Table 14.3 shows the main faults found during the periodic inspection of ball bearing unit and their causes.

If any fault is found in the ball bearing unit during the periodic inspection, immediately provide countermeasures against them, and carry out them. If the unit is judged to be difficult to be used, replace the bearing unit. It is important to replace the bearing unit to prevent expanding damage to other parts.

Table 14.3 Main faults found during periodic inspection and their causes

Faults	Causes
Excessively great torque (heavy)	(1) Degraded grease (2) Interference of oil seal with flinger (slinger) due to excessive supply of grease (3) Deformation of flinger (slinger), leading to interference with oil seal (4) Abnormal load due to expansion of shaft
Abnormal noise, abnormal vibration	(1) Insufficient tightening of set screw of bearing inner ring or mounting bolt of housing (2) Wear on fitting surface of shaft and bearing inner ring due to creep or fretting (3) Ingress of foreign matters into bearing (4) Damage to raceway surface or rolling contact surface of rolling element by rolling fatigue (5) Dent on raceway surface or rolling contact surface of rolling element by excessive load (6) Excessive warp or bend of shaft
Abnormal temperature increase	(1) Degraded grease (2) Interference of oil seal with flinger (slinger) due to excessive supply of grease (3) Deformation of flinger (slinger), leading to interference with oil seal (4) Looseness of set screw or locknut (adapter) of bearing inner ring (5) Abnormal load due to expansion of shaft (6) Damage to raceway surface or rolling contact surface of rolling element by rolling fatigue

14.4 Supply of grease

In Koyo Ball Bearing Unit, grease of good quality is packed with high quality oil seal. Therefore, grease life is long under standard operating conditions, and use without lubrication is enabled.

If the operating temperature is high or the unit is used in the environment exposed to dusts or high humidity, grease may be degraded faster, leading to faulty lubrication in a short period.

Since Koyo Ball Bearing Units are lubricated type bearings, fresh grease must be periodically supplied to the bearings, if they are used for such purposes that premature degradation of grease is expected.

The ball bearing units can maintain normal lubricated status and longer service life by supplying fresh grease.

14.4.1 Grease life and supply intervals

Grease life of a packed grease ball bearing, like a ball bearing unit, can be found by **Equation (5.10)** in page 34. It is recommended to supply grease with the intervals of 1/4 to 1/3 of grease life found by the calculation shown above to ball bearing units, taking peculiarity of lubricating method and safety of bearing unit into consideration.

If the bearing unit is used under severe environmental conditions, including much dust and high humidity, the greasing intervals must be further shortened, taking these influences into consideration.

If operating conditions of the ball bearing unit are not clear or the unit is operated under standard conditions, consider the greasing intervals shown in **Table 14.4** as the guideline.

14.4.2 Greasing amount

Initial greasing amount of Koyo Ball Bearing Unit is approximately 30 to 35% of the internal space capacity of the bearing. If amount of grease supplied in the bearing is excessive, agitating resistance of grease increases, leading to abnormal heat or grease leak. DO NOT exceed the initial greasing amount.

Table 14.5 shows the recommended values of greasing amount of Koyo Ball Bearing Unit.

If the unit is used at a low speed, supply grease of double amount of that shown in **Table 14.5** is recommended to increase dust preventive performance.

- [Remarks] 1. For greasing amount of the UK type bearing, use this table, too.
 2. For greasing amount of the triple-lip seal type, 1.5 times of the values shown in this table are recommended.
 3. Values shown in this table are applicable to standard grease (specific gravity : 0.9 g/ml). If you use greases of other specific gravity, adopt values converted with the same volume.

Table 14.5 Greasing amount of ball bearing unit (recommended)

Bore dia. code	Greasing amount, g		
	Diameter Series ¹⁾		
	UC200	UCX00	UC300
01	0.7		
02	0.7		
03	0.7		
04	0.7		
05	0.8	1.3	1.8
06	1.3	1.8	2.5
07	1.8	2.3	3.4
08	2.3	2.8	4.6
09	2.8	3.2	6.3
10	3.2	4.3	8.1
11	4.3	5.5	11
12	5.5	6.8	14
13	6.8	7.7	17
14	7.7	9	21
15	9	11	25
16	11	14	29
17	14	17	34
18	17	21	40
19	–	–	47
20	–	29	61
21	–	–	69
22	–	–	84
24	–	–	98
26	–	–	126
28	–	–	151

Table 14.4 Greasing intervals of ball bearing unit (recommended)

Operating temperature, °C		Grease Intervals			Bearing used	Grease supplied
over	up to	Substantially clean	Much dust	Much dust and muddy water		
	50	(3 months) not necessary	(2 months) 1 year	(1 month) 4 months	(Low temperature D2K2) ¹⁾	(Lithium) Lithium
50	70	1 year	4 months	1 month	Standard bearing	
70	100	6 months	2 months	2 weeks		
100	120	2 months	2 weeks	5 days	High temperature D1K2	Lithium
120	150	2 weeks	5 days	2 days		
150	180	1 week	2 days	1 day		

Note 1) Greasing intervals in parentheses are applicable to the cold resistant type (D2K2).

[Remark] Greasing intervals shown in this table are applicable to the unit to be operated for 8 to 10 hours a day. If operating hour is out of this range, find the greasing interval proportionally by this table.

14.4.3 Types of grease supplied

Though various types of greases used for ball bearing units are available, if dissimilar grease, especially grease of which soap base is different, is mixed, lubricating performance may be significantly degraded.

Therefore, the same grease to be supplied as the initially packed grease must be used, and avoid use of dissimilar grease.

It is recommended to supply the same grease to Koyo Ball Bearing Unit as the initially packed grease (see **Table 3.3**). If you have no choice but to use other greases, you have to use grease of the same type (thickener) as the initially packed grease, if not the worst.

14.4.4 Supplying grease

When supplying grease to a ball bearing unit, use the grease nipple and grease gun installed to the housing (**Fig. 14.13**).

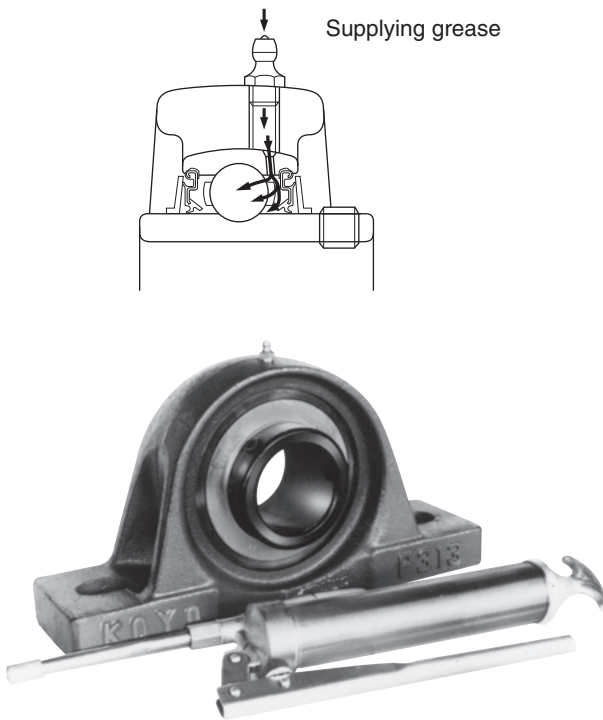


Fig. 14.13 Supplying grease to ball bearing unit

- (1) Clean the grease nipple and area around it to prevent ingress of foreign matters.
- (2) Clean the grease gun, and pack clean grease.
- (3) Supply grease.

When supplying grease to the ball bearing unit, turning of the shaft with your hands or turning of the bearing unit at a low speed is recommended.

It allows appropriate discharge of old grease and even supply of fresh grease into the bearing.

If the grease supply with the grease nipple of the standard type (type A) is difficult because of the structure of the machine, grease nipples of the type B or type C are also available. Contact JTEKT.

Fig. 14.14 shows the types of grease nipples.

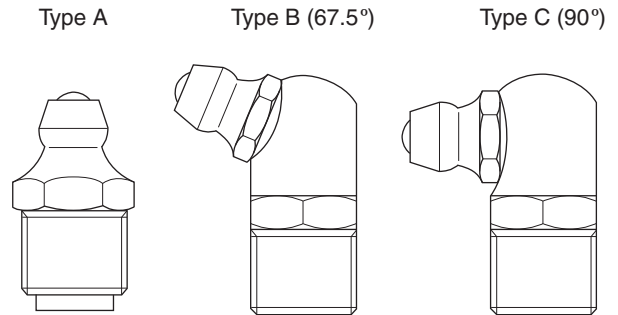


Fig. 14.14 Types of grease nipple for ball bearing unit

When supplying many ball bearing units with the centralized lubricating device, use soft grease with consistency from about 300 to 380, and provide piping appropriately so that grease of the specified amount is supplied.

Piping to the ball bearing unit should be provided with the tapped hole of the grease nipple of the housing. However, if size of the tapped hole on the housing differs from that of thread of the piping, use the reducing socket.

Fig. 14.15 shows the structure of the reducing socket for centralized lubricating.

When executing centralized lubricating, it is effective for the lubricating surface of the bearing to supply grease of the amount shown in **Table 14.5** by dividing into several times.

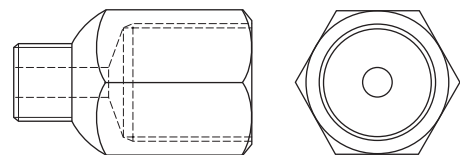


Fig. 14.15 Reducing socket for centralized lubricating

For details of grease nipples and reducing sockets, see “16 Parts and accessories”.

14.5 Replacing bearing

Since the bearings and the housings of Koyo ball bearing units are compatible, if a bearing is faulty, it can be replaced and used continuously.

Replacing procedures of the bearing of the ball bearing unit are shown below.

- (1) Remove the bearing unit from the shaft and the base.
- (2) Screw in the set screw so that the head of the set screw does not project out from the outside diameter surface of the inner ring of the bearing.
Head of the set screw may be hooked on the housing when the bearing is tilted.
- (3) Turn the bearing by 90° with a handle of a hammer until the bearing is horizontal.
- (4) Take out the bearing from the bearing groove of the housing.

To fit a new bearing to the housing, reverse the removing procedures.

15 Specification tables of ball bearing units

1 Pillow block type

Pillow block type

UCP (*d* 12 ~ 140) 74
 NAP (*d* 12 ~ 75) 80
 NAPK (*d* 12 ~ 75) 82
 UKP (*d*₁ 20 ~ 125) 84

Thick section pillow block type

UCIP (*d* 40 ~ 140) 90
 UKIP (*d*₁ 35 ~ 125) 92

Tapped-base pillow block type

UCPA (*d* 12 ~ 50) 94

Higher centerheight pillow block type

UCPH (*d* 12 ~ 50) 96

Light duty pillow block type

BLP (*d* 12 ~ 40) 98
 ALP (*d* 12 ~ 40) 98

“Compact” series pillow block type

UP (*d* 10 ~ 30) 100

Stainless-series pillow block type

UCSP-H1S6 (*d* 20 ~ 50) 102
 UCSPA-H1S6 (*d* 20 ~ 40) 104
 USP-S6 (*d* 10 ~ 30) 106

Pressed steel pillow block type

SBPP (*d* 12 ~ 30) 108
 SAPP (*d* 12 ~ 30) 108

2 Square-flanged type

Square-flanged type

UCF (*d* 12 ~ 140) 110
 UCF-E (*d* 12 ~ 85) 116
 NANF (*d* 12 ~ 60) 120
 UKF (*d*₁ 20 ~ 125) 122

Square-flanged type with spigot joint

UCFS (*d* 25 ~ 140) 128
 UKFS (*d*₁ 20 ~ 125) 130

Stainless-series square-flanged type

UCSF-H1S6 (*d* 20 ~ 50) 132

3 Rhombic flanged type

Rhombic-flanged type

UCFL (*d* 12 ~ 120) 134
 UCFL-E (*d* 12 ~ 85) 140
 NANFL (*d* 12 ~ 55) 144
 UKFL (*d*₁ 20 ~ 110) 146

Adjustable rhombic-flanged type

UCFA (*d* 12 ~ 55) 150

Three-bolt flange type

UCFB (*d* 12 ~ 50) 152

Light duty rhombic-flanged type

BLF (*d* 12 ~ 35) 154
 ALF (*d* 12 ~ 35) 154

“Compact” series rhombic-flanged type

UFL (*d* 8 ~ 30) 156

Stainless-series rhombic-flanged type

UCSFL-H1S6 (*d* 20 ~ 50) 158
 USFL-S6 (*d* 10 ~ 30) 160

4 Round-flanged type with spigot joint

Round-flanged type with spigot joint

UCFC (*d* 12 ~ 100) 162
 UCFCX-E (*d* 25 ~ 100) 166
 UKFC (*d*₁ 20 ~ 90) 168

5 Pressed steel flange type

Pressed steel round-flanged type

SBPF (*d* 12 ~ 35) 172
 SAPF (*d* 12 ~ 35) 172

Pressed steel rhombic-flanged type

SBPFL (*d* 12 ~ 35) 174
 SAPFL (*d* 12 ~ 35) 174

6 Take-up type

Take-up type

UCT (*d* 12 ~ 140) 176
 UCT-E (*d* 12 ~ 85) 182
 UKT (*d*₁ 20 ~ 125) 186

Stainless-series take-up type

UCST-H1S6 (*d* 20 ~ 50) 190

Section steel frame take-up type

UCTH (*d* 12 ~ 65) 192

Channel steel frame take-up type

UCTL (*d* 20 ~ 45) 194
 UCTU (*d* 40 ~ 90) 196

Pressed steel frame take-up type

SBPTH (*d* 12 ~ 25) 200
 SBNPTH (*d* 12 ~ 25) 202

7 Other units

Cartridge type

UCC (d 12 ~ 140)	204
UKC (d_1 20 ~ 125)	208

Hanger type

UCHA (d 12 ~ 75)	210
---------------------------	-----

8 Ball bearings for units

Cylindrical bore (with set screws)

UC, SB, SU (d 8 ~ 140)	212
---------------------------------	-----

(Stainless-series)

Cylindrical bore (with set screws)

UC-S6, SU-S6 (d 10 ~ 50)	218
-----------------------------------	-----

Cylindrical bore

(with eccentric locking collar)

SA, SA-F, NA (d 12 ~ 75)	220
-----------------------------------	-----

Tapered bore (with adapter)

UK (d_1 20 ~ 125)	224
----------------------------	-----

Cylindrical bore (with set screws)

Cylindrical outside surface

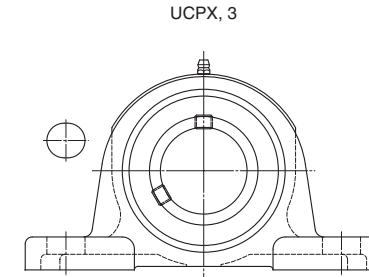
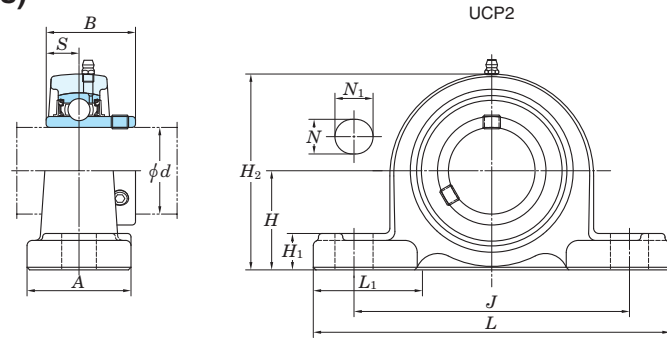
ER, RB (d 12 ~ 60)	230
-----------------------------	-----

9 Adapter assemblies

H2300X (d_1 20 ~ 125)	232
--------------------------------	-----

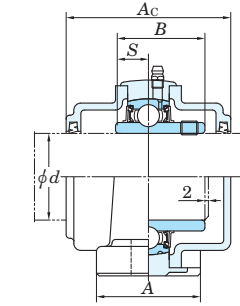
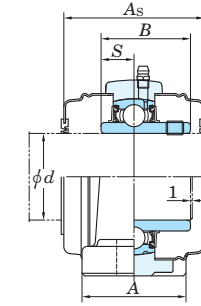
Pillow block type

UCP
Cylindrical bore (with set screws)
d 12 ~ (45) mm



With Pressed Steel Covers

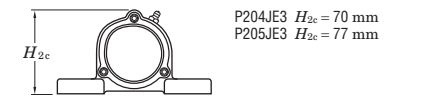
With Cast Iron Covers



Variations of tolerance of distance from mounting bottom to center of spherical bore (ΔH_s)

Housing No.	ΔH_s
P203-P210	± 0.15
P211-P218	± 0.2
PX20	± 0.3
P305-P310	± 0.2
P311-P318	± 0.2
P319-P328	± 0.3

Forms and dimensions of H_{2c} of P204JE3 and P205JE3 (housing with cast iron covers) are shown below.



Shaft Dia. mm inch d	Dimensions inch mm												Bolt Size inch mm	Standard			Mass kg	Basic Load Ratings kN		Fatigue Load Limit kN C_u	Factor f_0	With Pressed Steel Covers				With Cast Iron Covers										
	H	L	A	J	N	N_1	H_1	H_2	L_1	B	S	Unit No.		Housing No.	Bearing No.	Open Ends Type		Closed End Type	Dimension mm inch A_s			Mass kg	Open Ends Type	Closed End Type	Dimension mm inch A_c	Mass kg										
12 15 17	1/2 5/8	1 3/16	5	1 1/2	3 3/4	1/2	23/32	5/8	2 3/8	1 13/32	1.220	0.500	3/8	P203	UC201	UC201-8	0.63	12.8	6.65	0.302	13.2	UCP201C	UCP201CD	45	1 25/32	0.63	-	-	-	-						
		30.2	127	38	95	13	18	16	60	36	31	12.7	M10		UC202							UC202-10	0.61	12.8	6.65	0.302	13.2	UCP202C	UCP202CD	45	1 25/32	0.61	-	-	-	-
		1 3/4	5	1 1/2	3 3/4	1/2	23/32	5/8	2 9/16	1 13/32	1.220	0.500	3/8		P204							UC203	UC203	0.60	12.8	6.65	0.302	13.2	UCP203C	UCP203CD	45	1 25/32	0.60	-	-	-
20	3/4	1 5/16	5	1 1/2	3 3/4	1/2	23/32	5/8	2 9/16	1 13/32	1.220	0.500	3/8	P204	UC204-12	UC204	0.66	12.8	6.65	0.302	13.2	UCP204C	UCP204CD	45	1 25/32	0.66	UCP204FC	UCP204FCD	62	2 7/16	0.96					
		33.3	127	38	95	13	18	16	65	36	31	12.7	M10		UC205-14							UC205-15	0.80	12.8	6.65	0.302	13.2	UCP204C	UCP204CD	45	1 25/32	0.66	-	-	-	-
		1 7/8	5 1/2	1 1/2	4 1/8	1/2	23/32	5/8	2 3/4	1 1/2	1.343	0.563	3/8		P205							UC205	UC205-16	0.80	14.0	7.85	0.357	13.9	UCP205C	UCP205CD	49	1 15/16	0.80	UCP205FC	UCP205FCD	66
25	1	1 3/4	6 1/4	2	4 11/16	21/32	31/32	5/8	3 3/8	1 27/32	1.500	0.626	1/2	PX05	UCX05	UCX05-16	1.5	19.5	11.3	0.514	13.9	UCPX05C	UCPX05CD	53	2 3/32	1.5	-	-	-	-						
		44.4	159	51	119	17	25	16	86	47	38.1	15.9	M14		UC305							UC305-16	1.7	21.2	10.9	0.495	12.6	-	-	-	-	-	-	-		
		1 49/64	6 7/8	1 3/4	5 3/16	21/32	25/32	5/8	3 11/32	2 5/32	1.496	0.591	1/2		P305							UC305-16	1.7	21.2	10.9	0.495	12.6	-	-	-	-	-	-	-	-	
30	1 1/8 1 3/16 1 1/4	1 11/16	6 1/2	1 7/8	4 3/4	21/32	13/16	21/32	3 5/16	1 7/8	1.500	0.626	1/2	P206	UC206-18	UC206	1.3	19.5	11.3	0.514	13.9	UCP206C	UCP206CD	53	2 3/32	1.3	UCP206FC	UCP206FCD	70	2 3/4	1.8					
		42.9	165	48	121	17	21	17	84	48	38.1	15.9	M14		UC206-19							UC206-20	1.3	19.5	11.3	0.514	13.9	-	-	-	-	-	-	-		
		1 7/8	6 7/8	2 1/4	5	21/32	31/32	21/32	3 21/32	2 5/32	1.689	0.689	1/2		PX06							UCX06	UCX06-19	2.1	25.7	15.4	0.700	13.9	UCPX06C	UCPX06CD	60	2 3/8	2.1	-	-	-
35	1 1/4 1 5/16 1 3/8 1 7/16 1 3/8 1 7/16	1 31/32	7 3/32	1 31/32	5 1/2	21/32	25/32	21/32	3 3/4	2 3/32	1.693	0.669	1/2	P306	UC306	UC306	2.2	26.7	15.0	0.682	13.3	-	-	-	-	-	UCP306C	UCP306CD	82	3 7/32	2.8					
		50	180	50	140	17	20	17	95	53	43	17	M14		UC207-20							UC207-21	1.6	25.7	15.4	0.700	13.9	-	-	-	-	-	-	-		
		1 7/8	6 9/16	1 7/8	5	21/32	13/16	23/32	3 3/4	1 27/32	1.689	0.689	1/2		P207							UC207-22	UC207-23	1.6	25.7	15.4	0.700	13.9	UCP207C	UCP207CD	60	2 3/8	1.6	UCP207FC	UCP207FCD	78
40	1 1/2 1 9/16 1 1/2	2 1/8	8	2 1/4	5 21/32	21/32	1 3/16	3/4	4 1/8	2 17/32	1.937	0.748	1/2	PX07	UCX07-22	UCX07	2.7	29.1	17.8	0.809	14.0	UCPX07C	UCPX07CD	69	2 23/32	2.7	-	-	-	-	-					
		54	203	57	144	17	30	19	105	64	49.2	19	M14		UC208-24							UC208-25	2.0	33.4	19.3	0.877	13.2	-	-	-	-	-	-	-		
		1 15/16	7 1/4	2 1/8	5 13/32	21/32	13/16	23/32	3 27/32	2 3/32	1.937	0.748	1/2		P208							UC208	UC208	2.0	29.1	17.8	0.809	14.0	UCP208C	UCP208CD	69	2 23/32	2.0	UCP208FC	UCP208FCD	86
45	1 5/8 1 11/16 1 3/4	2 5/16	8 3/4	2 5/8	6 9/32	25/32	1 1/4	13/16	4 1/2	2 25/32	1.937	0.748	5/8	PX08	UCX08-24	UCX08	3.5	34.1	21.3	0.968	14.0	UCPX08C	UCPX08CD	69	2 23/32	3.5	-	-	-	-						
		58.7	222	67	156	20	32	21	114	71	49.2	19	M16		UC308-24							UC308	3.8	40.7	24.0	1.09	13.2	-	-	-	-	-	-			
		1 23/64	8 21/32	2 3/8	6 11/16	21/32	1 1/16	3/4	4 21/32	2 9/16	2.047	0.748	1/2		P308							UC308	UC308	3.8	40.7	24.0	1.09	13.2	-	-	-	-	-	-	-	
45	1 5/8 1 11/16 1 3/4	2 5/16	8 3/4	2 5/8	6 9/32	25/32	1 5/16	13/16	4 9/16	2 25/32	2.031	0.748	5/8	PX09	UCX09-28	UCX09	3.7	35.1	23.3	1.06	14.4	UCPX09C	UCPX09CD	74	2 23/32	3.7	-	-	-	-						
		58.7	222	67	156	20	33	21	116	71	51.6	19	M16		UC209-26							UC209-27	2.2	34.1	21.3	0.968	14.0	-	-	-	-	-	-			
		1 1/2	7 15/32	2 1/8	5 3/4	21/32	13/16	25/32	4 3/16	2 3/32	1.937	0.748	1/2		P209							UC209-28	UC209	2.2	34.1	21.3	0.968	14.0	UCP209C	UCP209CD	69	2 23/32	2.2	UCP209FC	UCP209FCD	88

Remarks 1. In Part No. of unit and units with covers, fitting codes follow bore diameter numbers. (See Table 2.5 in P.11.)

2. Part No. of applicable grease nipples are shown below.

A-1/4-28UNF 201-210, X05-X09, 305-308

A-R1/8 211-218, X10-X20, 309-328

3. As for the triple-lip seal type product (from 201 to 205 are the double-lip seal type products), supplementary code L3 (or L2) follows the Part No. of unit or bearing. (Example of Part No. : UCP206JL3, UC206L3)

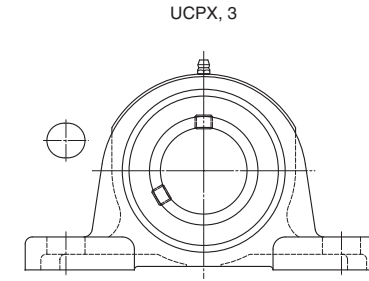
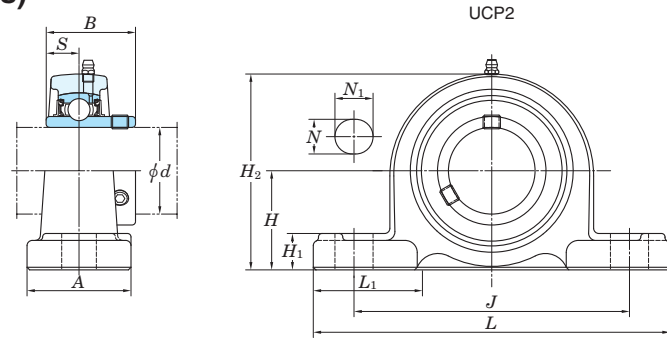
4. For the dimensions and forms of applicable bearings, see the dimensional tables of ball bearing for unit.

5. Representative examples of the forms of housing are indicated.

6. Housings of spheroidal graphite iron casting are also available.

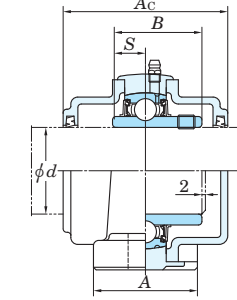
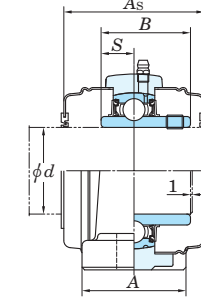
Pillow block type

UCP
Cylindrical bore (with set screws)
d (45) ~ (75) mm



With Pressed Steel Covers

With Cast Iron Covers



Variations of tolerance of distance from mounting bottom to center of spherical bore (ΔH_b)

Housing No.	ΔH_b
P203-P210	± 0.15
P211-P218	± 0.2
PX05-PX10	± 0.2
PX11-PX18	± 0.2
P305-P310	± 0.2
P311-P318	± 0.2
PX20	± 0.3
P319-P328	± 0.3

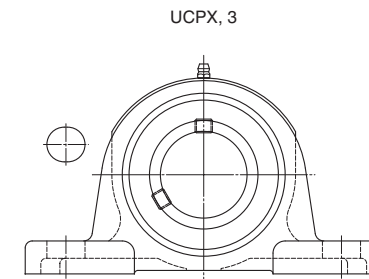
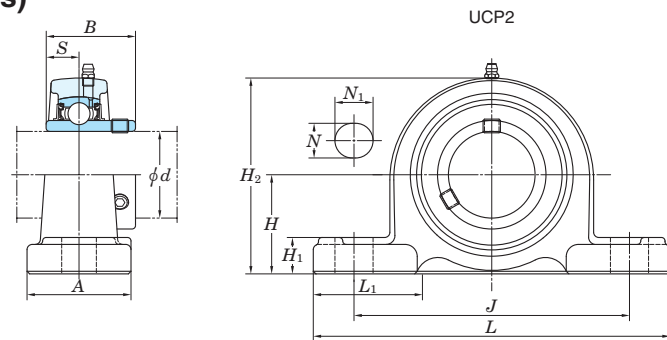
Unit: mm

Shaft Dia. mm inch	Dimensions												Bolt Size inch mm	Standard			Basic Load Ratings kN	Fatigue Load Limit kN	Factor f_0	With Pressed Steel Covers				With Cast Iron Covers														
	H	L	A	J	N	N_1	H_1	H_2	L_1	B	S	Unit No.		Housing No.	Bearing No.	Mass kg				C_r	C_{or}	C_u	Unit No.	Dimension mm inch	Mass kg	Unit No.	Dimension mm inch	Mass kg										
45 1 3/4	2 41/64	9 21/32	2 5/8	7 15/32	25/32	1 3/16	13/16	5 3/16	2 15/16	2.244	0.866	5/8	UCP309-28 UCP309	P309	UC309-28 UC309	4.9	48.9	29.5	1.34	13.3	-	-	-	-	-	-	-	-	-									
	67	245	67	190	20	30	21	132	75	57	22	M16									UCP309C	UCP309CD	102	4 1/32	6.2	UCP309C	UCP309CD	102	4 1/32	6.2								
50 1 7/8 1 15/16 2 1 15/16	2 1/4	8 1/8	2 3/8	6 1/4	25/32	7/8	13/16	4 7/16	2 3/8	2.031	0.748	5/8	UCP210-30 UCP210-31 UCP210 UCP210-32	P210	UC210-30 UC210-31 UC210 UC210-32	2.9	35.1	23.3	1.06	14.4	-	-	-	-	-	-	-	-	-	-	-	-	-	-	-			
	57.2	206	60	159	20	22	21	113	60	51.6	19	M16									UCP210C	UCP210CD	74	2 29/32	2.9	UCP210C	UCP210CD	74	2 29/32	2.9								
	2 1/2	9 1/2	2 7/8	6 23/32	25/32	1 13/32	7/8	4 31/32	3	2.189	0.874	5/8									UCPX10-31 UCPX10 UCPX10-32	PX10	UCX10-31 UCX10 UCX10-32	4.6	43.4	29.4	1.34	14.4	-	-	-	-	-	-	-	-	-	
	63.5	241	73	171	20	36	22	126	76	55.6	22.2	M16																	UCPX10C	UCPX10CD	76	3	4.6	UCPX10C	UCPX10CD	76	3	4.6
2	2 61/64	10 13/16	2 15/16	8 11/32	25/32	1 3/8	15/16	5 13/16	3 15/32	2.402	0.866	5/8	UCP310	P310	UC310	6.6	62.0	38.3	1.74	13.2	-	-	-	-	-	-	-	-	-									
55 2 2 1/8 2 3/16 2 3/16 2 1/4 2	2 1/2	8 5/8	2 3/8	6 23/32	25/32	7/8	29/32	4 29/32	2 9/16	2.189	0.874	5/8	UCP211-32 UCP211-34 UCP211 UCP211-35	P211	UC211-32 UC211-34 UC211 UC211-35	3.6	43.4	29.4	1.34	14.4	-	-	-	-	-	-	-	-	-	-	-	-	-	-	-	-		
	63.5	219	60	171	20	22	23	125	65	55.6	22.2	M16									UCP211C	UCP211CD	76	3	3.6	UCP211C	UCP211CD	76	3	3.6								
	2 3/16	2 3/4	10 1/4	3 1/8	7 1/4	31/32	1 13/32	1 3/32	5 15/32	3 9/32	2.563	1.000									3/4	UCPX11-35 UCPX11-36	PX11	UCX11 UCX11-35 UCX11-36	6.5	52.4	36.2	1.65	14.4	UCPX11C	UCPX11CD	89	3 1/2	6.5	-	-	-	-
	69.8	260	79	184	25	36	28	139	83	65.1	25.4	M20									UCPX11C									UCPX11CD	89	3 1/2	6.5	UCPX11C	UCPX11CD	89	3 1/2	6.5
2 1/4	3 5/32	12 7/32	3 5/32	9 9/32	25/32	1 1/2	1 1/16	6 7/32	3 17/32	2.598	0.984	5/8	UCP311-32 UCP311	P311	UC311-32 UC311	7.9	71.6	45.0	2.05	13.2	-	-	-	-	-	-	-	-	-									
2 3/16	80	310	80	236	20	38	27	158	90	66	25	M16									UCP311C	UCP311CD	114	4 1/2	7.9	UCP311C	UCP311CD	114	4 1/2	7.9								
60 2 1/4 2 3/8 2 7/16 2 7/16	2 3/4	9 1/2	2 3/4	7 1/4	25/32	31/32	31/32	5 7/16	2 7/8	2.563	1.000	5/8	UCP212-36 UCP212 UCP212-38 UCP212-39	P212	UC212-36 UC212 UC212-38 UC212-39	4.9	52.4	36.2	1.65	14.4	-	-	-	-	-	-	-	-	-	-	-	-	-	-	-			
	69.8	241	70	184	20	25	25	138	73	65.1	25.4	M16									UCP212C	UCP212CD	89	3 1/2	4.9	UCP212C	UCP212CD	89	3 1/2	4.9								
	2 7/16	3	11 1/4	3 1/4	8	31/32	1 9/16	1 3/32	5 31/32	3 15/32	2.563	1.000									3/4	UCPX12 UCPX12-39	PX12	UCX12 UCX12-39	7.7	57.2	40.1	1.82	14.4	UCPX12C	UCPX12CD	89	3 1/2	7.7	-	-	-	-
	76.2	286	83	203	25	40	28	152	88	65.1	25.4	M20									UCPX12C									UCPX12CD	89	3 1/2	7.7	UCPX12C	UCPX12CD	89	3 1/2	7.7
2	3 11/32	13	3 11/32	9 27/32	31/32	1 1/2	1 5/32	6 9/16	4 1/16	2.795	1.024	3/4	UCP312	P312	UC312	9.5	81.9	52.2	2.37	13.2	-	-	-	-	-	-	-	-										
65 2 1/2 2 1/2 2 1/2	3	10 7/16	2 3/4	8	31/32	1 3/16	1 1/16	5 29/32	3 1/16	2.563	1.000	3/4	UCP213-40 UCP213 UCPX13-40 UCPX13	P213	UC213-40 UC213 UCX13-40 UCX13	5.9	57.2	40.1	1.82	14.4	-	-	-	-	-	-	-	-	-	-	-	-	-	-	-			
	76.2	265	70	203	25	30	27	150	78	65.1	25.4	M20									UCP213C	UCP213CD	89	3 1/2	5.9	UCP213C	UCP213CD	89	3 1/2	5.9								
	2 1/2	3	11 1/4	3 1/4	8	31/32	1 9/16	1 3/32	6 3/32	3 15/32	2.937	1.189									3/4	UCP313-40 UCP313	PX13	UC313-40 UC313	8.1	62.2	44.1	2.01	14.5	UCPX13C	UCPX13CD	99	3 29/32	8.1	-	-	-	-
	76.2	286	83	203	25	40	28	155	88	74.6	30.2	M20									UCPX13C									UCPX13CD	99	3 29/32	8.1	UCPX13C	UCPX13CD	99	3 29/32	8.1
2 1/2	3 35/64	13 3/8	3 17/32	10 1/4	31/32	1 1/2	1 1/4	6 15/16	4 11/32	2.953	1.181	3/4	UCP314-44 UCP314	P314	UC314-44 UC314	10.7	92.7	59.9	2.68	13.2	-	-	-	-	-	-	-	-	-									
2 3/8	90	340	90	260	25	38	32	176	110	75	30	M20									UCP314C	UCP314CD	122	4 13/16	10.7	UCP314C	UCP314CD	122	4 13/16	10.7								
70 2 3/4 2 3/4 2 3/4	3 1/8	10 15/32	2 27/32	8 9/32	31/32	1 3/16	1 1/16	6 3/16	2 15/16	2.937	1.189	3/4	UCP214-44 UCP214 UCPX14-44 UCPX14	P214	UC214-44 UC214 UCX14-44 UCX14	6.8	62.2	44.1	2.01	14.5	-	-	-	-	-	-	-	-	-	-	-	-	-	-				
	79.4	266	72	210	25	30	27	157	75	74.6	30.2	M20									UCP214C	UCP214CD	99	3 29/32	6.8	UCP214C	UCP214CD	99	3 29/32	6.8								
	2 3/4	3 1/2	13	3 1/2	9	1 1/16	1 31/32	1 1/4	6 23/32	3 27/32	3.063	1.331									7/8	UCP314-44 UCP314	PX14	UC314-44 UC314	10.2	67.4	48.3	2.17	14.5	UCPX14C	UCPX14CD	99	3 29/32	10.2	-	-	-	-
	88.9	330	89	229	27	50	32	171	98	77.8	33.3	M22									UCPX14C									UCPX14CD	99	3 29/32	10.2	UCPX14C	UCPX14CD	99	3 29/32	10.2
2 3/4	3 47/64	14 3/16	3 17/32	11 1/32	1 1/16	1 9/16	1 3/8	7 5/16	4 11/32	3.071	1.299	7/8	UCP315-47 UCP315	P315	UC315-47 UC315	12.4	104	68.2	2.96	13.2	-	-	-	-	-	-	-	-										
95	360	90	280	27	40	35	186	110	78	33	M22	UCP315C									UCP315CD	124	4 7/8	12.4	UCP315C	UCP315CD	124	4 7/8	12.4									
75 2 15/16 3 2 15/16	3 1/4	10 13/16	2 29/32	8 17/32	31/32	1 3/16	1 3/32	6 3/8	3 1/16	3.063	1.311	3/4	UCP215-47 UCP215 UCP215-48	P215	UC215-47 UC215 UC215-48	7.4	67.4	48.3	2.17	14.5	-	-	-	-	-	-	-	-										
	82.6	275	74	217	25	30	28	162	78	77.8	33.3	M20									UCP215C	UCP215CD	99	3 29/32	7.4	UCP215C	UCP215CD	99	3 29/32	7.4								
3	3 1/2	13	3 1/2	9	1 1/16	1 31/32	1 1/4	6 7/8	3 29/32	3.252	1.311	7/8	UCPX15-47 UCPX15 UCPX15-48	PX15	UCX15-47 UCX15 UCX15-48	10.8	72.7	53.0	2.30	14.6	UCPX15C	UCPX15CD	109	4 9/32	10.8	-	-	-	-									
2 15/16	88.9	330	89	229	27	50	32	175	99	82.6	33.3	M22									UCPX15C	UCPX15CD	109	4 9/32	10.8	UCPX15C	UCPX15CD	109	4 9/32	10.8								

Remarks 1. In Part No. of unit and units with covers, fitting codes follow bore diameter numbers. (See Table 2.5 in P.11.)
2. Part No. of applicable grease nipples are shown below.
A-1/4-28UNF 201-210, X05-X09, 305-308
A-R1/8 211-218, X10-X20, 309-328

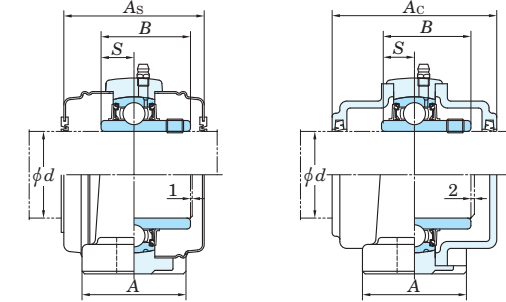
3. As for the triple-lip seal type product (from 201 to 205 are the double-lip seal type products), supplementary code L3 (or L2) follows the Part No. of unit or bearing. (Example of Part No. : UCP206JL3, UC206L3)
4. For the dimensions and forms of applicable bearings, see the dimensional tables of ball bearing for unit.
5. Representative examples of the forms of housing are indicated.
6. Housings of spheroidal graphite iron casting are also available.

UCP
Cylindrical bore (with set screws)
 d (75) ~ 140 mm



With Pressed Steel Covers

With Cast Iron Covers



Variations of tolerance of distance from mounting bottom to center of spherical bore (ΔH_s)

Housing No.	ΔH_s
P203-P210	±0.15
P211-P218	±0.2
PX05-PX10	±0.3
PX11-PX18	±0.3
P305-P310	±0.3
P311-P318	±0.3
P319-P328	±0.3

Unit: mm

Shaft Dia. mm inch d	Dimensions inch mm												Bolt Size inch mm	Standard			Mass kg	Basic Load Ratings kN		Fatigue Load Limit kN C_u	Factor f_0	With Pressed Steel Covers				With Cast Iron Covers															
	H	L	A	J	N	N_1	H_1	H_2	L_1	B	S	Unit No.		Housing No.	Bearing No.	Open Ends Type		Closed End Type	Dimension mm inch A_s			Mass kg	Open Ends Type	Closed End Type	Dimension mm inch A_c	Mass kg															
75 2 15/16 3	3 15/16	14 31/32	3 15/16	11 13/32	1 1/16	1 9/16	1 3/8	2 25/32	4 7/32	3.228	1.260	7/8	UCP315-47 UCP315 UCP315-48	P315	UC315-47 UC315 UC315-48	14.8 14.8 14.8	113 77.2	3.24	13.2	-	-	-	-	-	-	-	-	-	-	-	-	-	-	-							
	4	15	4	11 1/8	1 1/16	2 9/32	1 11/32	7 11/16	4 9/16	3.374	1.343	3/4								UCP216-50 UCP216	P216	UC216-50 UC216	9.0 9.0	72.7 53.0	2.30	14.6	UCP216C	UCP216CD	109	4 9/32	9.0	UCP216FC	UCP216FCD	138	5 7/16	11.4					
	101.6	381	102	283	27	58	34	195	116	85.7	34.1	M22															UCPX16	PX16	UCX16	15.3	84.0	61.9	2.60	14.5	UCPX16C	UCPX16CD	113	4 7/16	15.3	-	-
80 3 1/8	4 11/64	15 3/4	4 11/32	11 13/16	1 1/16	1 9/16	1 3/8	8 7/32	4 23/32	3.386	1.339	7/8	UCP316	P316	UC316	18.5	123	86.7	3.53	13.3	-	-	-	-	-	-	-	-	-	-	-	-	-	-	-						
	106	400	110	300	27	40	35	209	120	86	34	M22									UCP316	P316	UC316	18.5	123	86.7	3.53	13.3	-	-	-	-	-	-	-	-	-	-	-	-	-
	101.6	381	102	283	27	60	34	200	116	96	39.7	M22									UCPX17	PX17	UCX17	16.1	96.1	71.5	2.91	14.5	UCPX17C	UCPX17CD	123	4 27/32	16.1	-	-	-	-	-	-	-	-
85 3 3/4	4 13/32	16 17/32	4 11/32	12 19/32	1 5/16	1 25/32	1 9/16	8 21/32	4 23/32	3.780	1.575	1	UCP317	P317	UC317	20.3	133	96.8	3.82	13.3	-	-	-	-	-	-	-	-	-	-	-	-	-	-	-	-					
	112	420	110	320	33	45	40	220	120	96	40	M27									UCP317	P317	UC317	20.3	133	96.8	3.82	13.3	-	-	-	-	-	-	-	-	-	-	-	-	
	101.6	327	88	262	27	40	33	198	94	96	39.7	M22									UCP218-56 UCP218	P218	UC218-56 UC218	13.9 13.9	96.1	71.5	2.91	14.5	UCP218C	UCP218CD	123	4 27/32	13.9	UCP218FC	UCP218FCD	152	6	17.0			
101.6	381	111	283	27	60	38	204	116	104	42.9	M22	UCPX18	PX18	UCX18	19.1	109	81.9	3.23	14.4	-	-								-	-	-	-	-	-	-	-	-				
90 3 1/2	4 41/64	16 15/16	4 11/32	13	1 5/16	1 25/32	1 9/16	9 7/32	4 23/32	3.780	1.575	1	UCP318-56 UCP318	P318	UC318-56 UC318	22.8 22.8	143	107	4.11	13.3	-	-	-	-	-	-	-	-	-	-	-	-	-	-	-						
	118	430	110	330	33	45	40	234	120	96	40	M27									UCP318	P318	UC318	22.8	143	107	4.11	13.3	-	-	-	-	-	-	-	-	-	-	-		
	101.6	327	88	262	27	40	33	198	94	96	39.7	M22									UCP318	P318	UC318	22.8	143	107	4.11	13.3	-	-	-	-	-	-	-	-	-	-	-		
95 3 7/16	4 59/64	18 1/2	4 23/32	14 3/16	1 13/32	1 31/32	1 13/16	9 3/4	4 29/32	4.055	1.614	1 1/8	UCP319	P319	UC319	29.0	153	119	4.45	13.3	-	-	-	-	-	-	-	-	-	-	-	-	-	-	-						
	125	470	120	360	36	50	46	248	125	103	41	M30									UCP319	P319	UC319	29.0	153	119	4.45	13.3	-	-	-	-	-	-	-	-	-	-			
	101.6	381	102	283	27	60	34	200	116	96	39.7	M22									UCPX20-63 UCPX20-64	PX20	UCX20-63 UCX20-64	30.4 30.4 30.4	133	105	3.91	14.4	-	-	-	-	-	-	-	-	-	-	-		
118	430	110	330	33	45	40	234	120	96	40	M27	UCP319	P319	UC319	29.0	153	119	4.45	13.3	-	-								-	-	-	-	-	-	-						
100 3 15/16 4	5 33/64	19 9/32	4 23/32	14 31/32	1 13/32	1 31/32	1 13/16	10 3/4	5 1/2	4.252	1.654	1 1/8	UCP320 UCP320-63 UCP320-64	P320	UC320 UC320-63 UC320-64	35.1 35.1 35.1	173	141	5.08	13.2	-	-	-	-	-	-	-	-	-	-	-	-	-								
	140	490	120	380	36	50	46	273	140	108	42	M30									UCP320	P320	UC320	35.1	173	141	5.08	13.2	-	-	-	-	-	-	-	-	-	-			
	101.6	381	102	283	27	60	34	200	116	96	39.7	M22									UCP320	P320	UC320	35.1	173	141	5.08	13.2	-	-	-	-	-	-	-	-	-	-			
105 4 1/8	5 29/32	20 15/32	5 1/2	15 3/4	1 9/16	2 5/32	1 31/32	11 21/32	5 29/32	4.606	1.811	1 1/4	UCP321	P321	UC321	37.6	184	153	5.41	13.2	-	-	-	-	-	-	-	-	-	-	-	-	-								
	140	490	120	380	36	50	46	278	140	112	44	M30									UCP321	P321	UC321	37.6	184	153	5.41	13.2	-	-	-	-	-	-	-	-	-				
	101.6	381	102	283	27	60	34	200	116	96	39.7	M22									UCP321	P321	UC321	37.6	184	153	5.41	13.2	-	-	-	-	-	-	-	-	-				
110 4 1/4	6 19/64	22 7/16	5 1/2	17 23/32	1 9/16	2 5/32	1 31/32	12 7/16	6 5/16	4.961	2.008	1 1/4	UCP322	P322	UC322	44.0	205	180	6.15	13.2	-	-	-	-	-	-	-	-	-	-	-	-									
	150	520	140	400	40	55	50	296	150	117	46	M33									UCP322	P322	UC322	44.0	205	180	6.15	13.2	-	-	-	-	-	-	-	-	-				
	101.6	381	102	283	27	60	34	200	116	96	39.7	M22									UCP322	P322	UC322	44.0	205	180	6.15	13.2	-	-	-	-	-	-	-	-	-				
120 4 7/8	7 3/32	23 5/8	5 1/2	18 29/32	1 9/16	2 5/32	1 31/32	13 21/32	7 11/16	5.315	2.126	1 1/4	UCP324	P324	UC324	55.4	207	185	6.10	13.5	-	-	-	-	-	-	-	-	-	-	-	-									
	160	570	140	450	40	55	50	316	160	126	51	M33									UCP324	P324	UC324	55.4	207	185	6.10	13.5	-	-	-	-	-	-	-	-	-				
	101.6	381	102	283	27	60	34	200	116	96	39.7	M22									UCP324	P324	UC324	55.4	207	185	6.10	13.5	-	-	-	-	-	-	-	-	-				
130 4 1/2	7 7/8	24 13/32	5 1/2	19 11/16	1 9/16	2 5/32	1 31/32	15 15/32	7 7/32	5.709	2.323	1 1/4	UCP326	P326	UC326	72.1	229	214	6.79	13.6	-	-	-	-	-	-	-	-	-	-	-	-									
	180	600	140	480	40	55	50	355	195	135	54	M33									UCP326	P326	UC326	72.1	229	214	6.79	13.6	-	-	-	-	-	-	-	-	-				
	101.6	381	102	283	27	60	34	200	116	96	39.7	M22									UCP326	P326	UC326	72.1	229	214	6.79	13.6	-	-	-	-	-	-	-	-	-				
140 4 3/4	7 7/8	24 13/32	5 1/2	19 11/16	1 9/16	2 5/32	1 31/32	15 15/32	7 7/32	5.709	2.323	1 1/4	UCP328	P328	UC328	92.5	253	246	7.54	13.6	-	-	-	-	-	-	-	-	-	-	-	-									
	200	620	140	500	40	55	60	393	185	145	59	M33									UCP328	P328	UC328	92.5	253	246	7.54	13.6	-	-	-	-	-	-	-	-					
	101.6	381	102	283	27	60	34	200	116	96	39.7	M22									UCP328	P328	UC328	92.5	253	246	7.54	13.6	-	-	-	-	-	-	-	-					

Remarks 1. In Part No. of unit and units with covers, fitting codes follow bore diameter numbers. (See Table 2.5 in P.11.)

2. Part No. of applicable grease nipples are shown below.

A-1/4-28UNF 201-210, X05-X09, 305-308

A-R1/8 211-218, X10-X20, 309-328

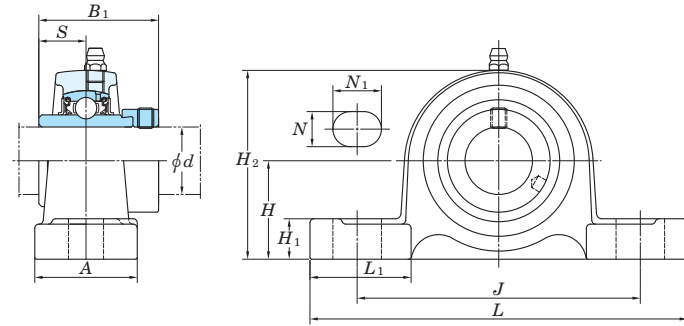
3. As for the triple-lip seal type product (from 201 to 205 are the double-lip seal type products), supplementary code L3 (or L2) follows the Part No. of unit or bearing. (Example of Part No. : UCP206JL3, UC206L3)

4. For the dimensions and forms of applicable bearings, see the dimensional tables of ball bearing for unit.

5. Representative examples of the forms of housing are indicated.

6. Housings of spheroidal graphite iron casting are also available.

NAP
Cylindrical bore
(with eccentric locking collar)
 d 12 ~ 75 mm



Variations of tolerance of distance from mounting bottom to center of spherical bore (ΔH_s)

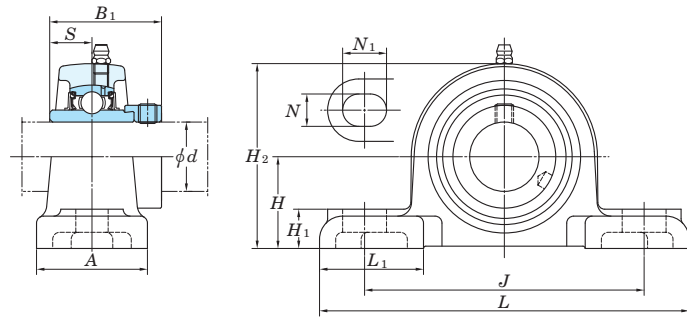
Housing No.	ΔH_s
P203-P210	± 0.15
P211-P215	± 0.2

Shaft Dia. mm inch d	Dimensions inch mm											Bolt Size inch mm	Unit No.	Housing No.	Bearing No.	Basic Load Ratings kN		Fatigue Load Limit kN C_u	Factor f_0	Mass kg
	H	L	A	J	N	N_1	H_1	H_2	L_1	B_1	S					C_r	C_{or}			
12 1/2	1 3/16	5	1 1/2	3 3/4	1/2	23/32	5/8	2 3/8	1 13/32	1.720	0.673	3/8	NAP201 NAP201-8 NAP202 NAP202-10 NAP203	P203	NA201 NA201-8 NA202 NA202-10 NA203	12.8	6.65	0.302	13.2	0.71 0.69 0.66
15 5/8	30.2	127	38	95	13	18	16	60	36	43.7	17.1	M10								
17 3/4	1 5/16	5	1 1/2	3 3/4	1/2	23/32	5/8	2 9/16	1 13/32	1.720	0.673	3/8	NAP204-12 NAP204	P204	NA204-12 NA204	12.8	6.65	0.302	13.2	0.73
20	33.3	127	38	95	13	18	16	65	36	43.7	17.1	M10								
25 7/8 15/16	1 7/16	5 1/2	1 1/2	4 1/8	1/2	23/32	5/8	2 3/4	1 1/2	1.748	0.689	3/8	NAP205-14 NAP205-15 NAP205 NAP205-16	P205	NA205-14 NA205-15 NA205 NA205-16	14.0	7.85	0.357	13.9	0.87
25	36.5	140	38	105	13	18	16	70	38	44.4	17.5	M10								
30 1 1/8	1 11/16	6 1/2	1 7/8	4 3/4	21/32	13/16	21/32	3 5/16	1 7/8	1.906	0.720	1/2	NAP206-18 NAP206 NAP206-19 NAP206-20	P206	NA206-18 NA206 NA206-19 NA206-20	19.5	11.3	0.514	13.9	1.4
30	42.9	165	48	121	17	21	17	84	48	48.4	18.3	M14								
35 1 1/4 1 5/16 1 3/8	1 7/8	6 9/16	1 7/8	5	21/32	13/16	23/32	3 3/4	1 27/32	2.012	0.740	1/2	NAP207-20 NAP207-21 NAP207-22 NAP207 NAP207-23	P207	NA207-20 NA207-21 NA207-22 NA207 NA207-23	25.7	15.4	0.700	13.9	1.8
35	47.6	167	48	127	17	21	18	95	47	51.1	18.8	M14								
40 1 1/2 1 9/16	1 15/16	7 1/4	2 1/8	5 13/32	21/32	13/16	23/32	3 27/32	2 3/32	2.217	0.843	1/2	NAP208-24 NAP208-25 NAP208	P208	NA208-24 NA208-25 NA208	29.1	17.8	0.809	14.0	2.1
40	49.2	184	54	137	17	21	18	98	53	56.3	21.4	M14								
45 1 5/8 1 11/16 1 3/4	2 1/8	7 15/32	2 1/8	5 3/4	21/32	13/16	25/32	4 3/16	2 5/32	2.217	0.843	1/2	NAP209-26 NAP209-27 NAP209-28 NAP209	P209	NA209-26 NA209-27 NA209-28 NA209	34.1	21.3	0.968	14.0	2.4
45	54	190	54	146	17	21	20	106	55	56.3	21.4	M14								
50 1 7/8 1 15/16	2 1/4	8 1/8	2 3/8	6 1/4	25/32	7/8	13/16	4 7/16	2 3/8	2.469	0.969	5/8	NAP210-30 NAP210-31 NAP210 NAP210-32	P210	NA210-30 NA210-31 NA210 NA210-32	35.1	23.3	1.06	14.4	3.1
50	57.2	206	60	159	20	22	21	113	60	62.7	24.6	M16								
55 2 2 1/8	2 1/2	8 5/8	2 3/8	6 23/32	25/32	7/8	29/32	4 29/32	2 9/16	2.811	1.094	5/8	NAP211-32 NAP211-34 NAP211 NAP211-35	P211	NA211-32 NA211-34 NA211 NA211-35	43.4	29.4	1.34	14.4	3.9
55	63.5	219	60	171	20	22	23	125	65	71.4	27.8	M16								
60 2 3/8 2 7/16	2 3/4	9 1/2	2 3/4	7 1/4	25/32	31/32	31/32	5 7/16	2 7/8	3.063	1.220	5/8	NAP212-36 NAP212 NAP212-38 NAP212-39	P212	NA212-36 NA212 NA212-38 NA212-39	52.4	36.2	1.65	14.4	5.2
60	69.8	241	70	184	20	25	25	138	73	77.8	31	M16								
65 2 1/2	3	10 7/16	2 3/4	8	31/32	1 3/16	1 1/16	5 29/32	3 1/16	3.374	1.343	3/4	NAP213-40 NAP213	P213	NA213-40 NA213	57.2	40.1	1.82	14.4	6.5
65	76.2	265	70	203	25	30	27	150	78	85.7	34.1	M20								
70 2 3/4	3 1/8	10 15/32	2 27/32	8 9/32	31/32	1 3/16	1 1/16	6 3/16	2 15/16	3.374	1.343	3/4	NAP214-44 NAP214	P214	NA214-44 NA214	62.2	44.1	2.01	14.5	7.7
70	79.4	266	72	210	25	30	27	157	75	85.7	34.1	M20								
75 2 15/16	3 1/4	10 13/16	2 29/32	8 17/32	31/32	1 3/16	1 3/32	6 3/8	3 1/16	3.626	1.469	3/4	NAP215-47 NAP215	P215	NA215-47 NA215	67.4	48.3	2.17	14.5	7.9
75	82.6	275	74	217	25	30	28	162	78	92.1	37.3	M20								

Remarks 1. In Part No. of unit, fitting codes follow bore diameter numbers. (See Table 2.5 in P.11.)
2. Part No. of applicable grease nipples are shown below.
A-1/4-28UNF..... 201~210
A-R1/8..... 211~215

3. As for the triple-lip seal type product (from 201 to 205 are the double-lip seal type products), supplementary code L3 (or L2) follows the Part No. of unit or bearing. (Example of Part No. : NAP206JL3, NA206L3)
4. For the dimensions and forms of applicable bearings, see the dimensional tables of ball bearing for unit.
5. Representative examples of the forms of housing are indicated.
6. Housings of spheroidal graphite iron casting are also available.

NAPK
Cylindrical bore
(with eccentric locking collar)
 d 12 ~ 75 mm



Variations of tolerance of distance from mounting bottom to center of spherical bore (ΔH_s)

Housing No.	Unit: mm
PK204~PK210	±0.15
PK211~PK215	±0.2

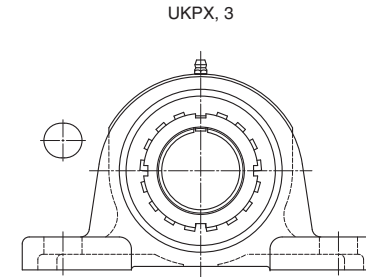
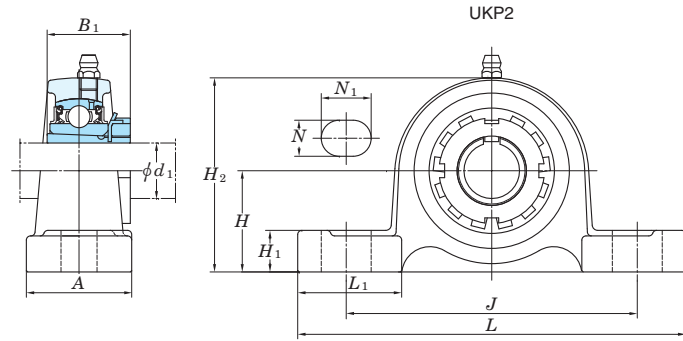
Shaft Dia mm inch d	Dimensions inch mm											Bolt Size inch	Unit No.	Housing No.	Bearing No.	Basic Load Ratings kN		Fatigue Load Limit kN C_u	Factor f_0	Mass kg
	H	L	A	J	N	N_1	H_1	H_2	L_1	B_1	S					C_r	C_{or}			
12 15 17 20	1 1/4 31.8	5 1/4 133	1 5/8 41	3 27/32 98	7/16 11	9/16 14	9/16 14	2 15/32 63	1 25/32 45	1.72 43.7	0.673 17.1	3/8	NAPK201 NAPK201-8 NAPK202 NAPK202-10 NAPK203 NAPK204-12 NAPK204	PK204	NA201 NA201-8 NA202 NA202-10 NA203 NA204-12 NA204	12.8	6.65	0.302	13.2	0.82
25	1 5/16 33.3	5 1/2 140	1 23/32 44	4 1/8 105	7/16 11	9/16 14	5/8 16	2 11/16 68	1 25/32 45	1.748 44.4	0.689 17.5	3/8	NAPK205-14 NAPK205-15 NAPK205 NAPK205-16	PK205	NA205-14 NA205-15 NA205 NA205-16	14.0	7.85	0.357	13.9	1
30	1 9/16 39.7	6 5/16 160	1 7/8 48	4 3/4 121	9/16 14	3/4 19	2 1/32 17	3 5/32 80	1 25/32 45	1.906 48.4	0.72 18.3	1/2	NAPK206-18 NAPK206 NAPK206-19 NAPK206-20	PK206	NA206-18 NA206 NA206-19 NA206-20	19.5	11.3	0.514	13.9	1.4
35	1 13/16 46	6 9/16 167	1 7/8 48	5 127	9/16 14	3/4 19	3/4 19	3 5/8 92	1 25/32 45	2.012 51.1	0.74 18.8	1/2	NAPK207-20 NAPK207-21 NAPK207-22 NAPK207 NAPK207-23	PK207	NA207-20 NA207-21 NA207-22 NA207 NA207-23	25.7	15.4	0.700	13.9	2
40	1 15/16 49.2	7 1/8 181	2 1/8 54	5 3/8 136.5	9/16 14	1 1/32 26.3	3/4 19	3 15/16 100	1 31/32 50	2.217 56.3	0.843 21.4	1/2	NAPK208-24 NAPK208-25 NAPK208	PK208	NA208-24 NA208-25 NA208	29.1	17.8	0.809	14.0	2.5
45	1 11/16 52.4	7 15/32 190	2 1/8 54	5 7/8 149.2	9/16 14	1 1/8 28.6	25/32 20	4 3/16 106	2 1/16 52	2.217 56.3	0.843 21.4	1/2	NAPK209-26 NAPK209-27 NAPK209-28 NAPK209	PK209	NA209-26 NA209-27 NA209-28 NA209	34.1	21.3	0.968	14.0	2.7
50	1 7/8 55.6	8 203	2 1/4 57	6 1/4 159	9/16 14	3/4 19	7/8 22	4 13/32 112	25/32 55	2.469 62.7	0.969 24.6	1/2	NAPK210-30 NAPK210-31 NAPK210 NAPK210-32	PK210	NA210-30 NA210-31 NA210 NA210-32	35.1	23.3	1.06	14.4	3.2
55	2 7/16 61.9	9 1/8 232	2 3/8 60	7 1/8 181	23/32 18	15/16 24	3 1/32 25	4 7/8 124	2 19/32 66	2.811 71.4	1.094 27.8	5/8	NAPK211-32 NAPK211-34 NAPK211 NAPK211-35	PK211	NA211-32 NA211-34 NA211 NA211-35	43.4	29.4	1.34	14.4	4.6
60	2 11/16 68.3	9 1/2 241	2 17/32 64	7 17/32 191	23/32 18	15/16 24	13/32 28	5 11/32 136	2 9/16 65	3.063 77.8	1.22 31	5/8	NAPK212-36 NAPK212 NAPK212-38 NAPK212-39	PK212	NA212-36 NA212 NA212-38 NA212-39	52.4	36.2	1.65	14.4	5.2
75	2 15/16 84.1	11 31/32 304	3 7/32 82	9 1/2 241	7/8 22	1/4 32	1 1/2 38	6 1/2 165	3 7/16 87	3.626 92.1	1.469 37.3	3/4	NAPK215-47 NAPK215	PK215	NA215-47 NA215	67.4	48.3	2.17	14.5	9.6

Remarks 1. In Part No. of unit and units with covers, fitting codes follow bore diameter numbers. (See Table 2.5 in P.11.)
2. Part No. of applicable grease nipples are shown below.
A-1/4-28UNF 201~210
A-R1/8 211~215

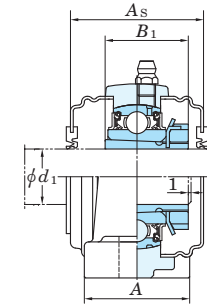
3. For the dimensions and forms of applicable bearings, see the dimensional tables of ball bearing for unit.
4. Representative examples of the forms of housing are indicated.
5. Housings of spheroidal graphite iron casting are also available.

Pillow block type

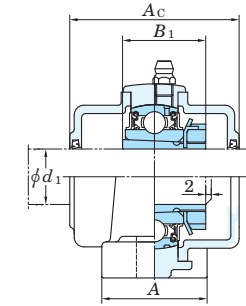
UKP
Tapered bore (with adapter)
d₁ 20 ~ (50) mm



With Pressed Steel Covers



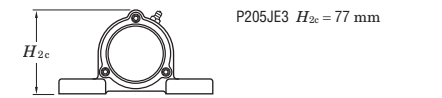
With Cast Iron Covers



Variations of tolerance of distance from mounting bottom to center of spherical bore (ΔH_s)

Housing No.	ΔH _s
P205-P210	±0.15
P211-P218	±0.2
PX20	±0.3
P305-P310	±0.15
P311-P318	±0.2
P319-P328	±0.3

Forms and dimensions of H_{2c} of P205JE3 (housing with cast iron covers) are shown below.



Shaft Dia. mm inch	Dimensions inch mm											Bolt Size inch mm	Standard			Basic Load Ratings kN	Fatigue Load Limit kN	Factor f ₀	With Pressed Steel Covers				With Cast Iron Covers									
	d ₁	H	L	A	J	N	N ₁	H ₁	H ₂	L ₁	B ₁		Unit No.	Housing No.	Bearing No.				Adapter Assembly No.	Mass kg	C _r	C _{0r}	C _u	Open Ends Type	Closed End Type	Dimension mm inch	Mass kg	Open Ends Type	Closed End Type	Dimension mm inch	Mass kg	
20	3/4	1 7/16	5 1/2	1 1/2	4 1/8	1/2	23/32	5/8	2 3/4	1 1/2	1 3/8	3/8	UKP205	P205	UK205	HE2305X	0.84	14.0	7.85	0.357	13.9	-	-	-	-	-	-	-	-	-	-	
		36.5	140	38	105	13	18	16	70	38	35	M10	UKPX05	PX05	UKX05	HE2305X	1.5	19.5	11.3	0.514	13.9	-	-	-	-	-	-	-	-	-	-	-
	44.4	159	51	119	17	25	16	86	47	35	M14	UKP305	P305	UK305	H2305X	1.5	-	-	-	-	UKPX05C	UKPX05CD	53	2 3/32	1.5	-	-	-	-	-		
25	1	1 49/64	6 7/8	1 3/4	5 3/16	21/32	25/32	5/8	3 11/32	2 5/32	1 3/8	1/2	UKP206	P206	UK206	HE2306X	1.7	21.2	10.9	0.495	12.6	-	-	-	-	-	-	-	-	-	-	-
		45	175	45	132	17	20	16	85	55	35	M14	UKPX06	PX06	UKX06	H2306X	1.7	-	-	-	-	-	-	-	-	-	-	-	-	-	-	
	42.9	165	48	121	17	21	17	84	48	38	M14	UKP306	P306	UK306	H2306X	1.4	19.5	11.3	0.514	13.9	UKP206C	UKP206CD	53	2 3/32	1.4	-	-	-	-	-	-	
30	1	1 7/8	6 7/8	2 1/4	5	21/32	31/32	21/32	3 21/32	2 5/32	1 1/2	1/2	UKP207	P207	UK207	H2306X	2.1	25.7	15.4	0.700	13.9	-	-	-	-	-	-	-	-	-	-	-
		47.6	175	57	127	17	25	17	93	55	38	M14	UKPX07	PX07	UKX07	H2306X	2.1	-	-	-	-	-	-	-	-	-	-	-	-	-	-	
	47.6	167	48	127	17	21	18	95	47	43	M14	UKP307	P307	UK307	H2306X	2.3	26.7	15.0	0.682	13.3	UKP207C	UKP207CD	60	2 3/8	1.7	-	-	-	-	-	-	
35	1 1/8	1 7/8	6 9/16	1 7/8	5	21/32	13/16	23/32	3 3/4	1 27/32	1 11/16	1/2	UKP208	P208	UK208	HS2307X	1.7	25.7	15.4	0.700	13.9	-	-	-	-	-	-	-	-	-	-	-
		47.6	167	48	127	17	21	18	95	47	43	M14	UKPX08	PX08	UKX08	H2307X	1.7	-	-	-	-	-	-	-	-	-	-	-	-	-	-	
	47.6	167	48	127	17	21	18	95	47	43	M14	UKP308	P308	UK308	HS2307X	1.7	25.7	15.4	0.700	13.9	UKP207C	UKP207CD	60	2 3/8	1.7	-	-	-	-	-	-	
40	1 1/8	2 1/8	8	2 1/4	5 21/32	21/32	1 3/16	3/4	4 1/8	2 17/32	1 11/16	1/2	UKP209	P209	UK209	HS2307X	2.7	29.1	17.8	0.809	14.0	-	-	-	-	-	-	-	-	-	-	-
		54	203	57	144	17	30	19	105	64	43	M14	UKPX09	PX09	UKX09	H2307X	2.7	-	-	-	-	-	-	-	-	-	-	-	-	-	-	
	54	203	57	144	17	30	19	105	64	43	M14	UKP309	P309	UK309	H2307X	3.0	33.4	19.3	0.877	13.2	UKP209C	UKP209CD	69	2 29/32	2.7	-	-	-	-	-	-	-
45	1 1/4	1 15/16	7 1/4	2 1/8	5 13/32	21/32	13/16	23/32	3 27/32	2 3/32	1 13/16	1/2	UKP210	P210	UK210	HS2307X	3.0	33.4	19.3	0.877	13.2	-	-	-	-	-	-	-	-	-	-	-
		49.2	184	54	137	17	21	18	98	53	46	M14	UKPX10	PX10	UKX10	H2307X	3.0	-	-	-	-	-	-	-	-	-	-	-	-	-	-	
	49.2	184	54	137	17	21	18	98	53	46	M14	UKP310	P310	UK310	H2307X	3.0	33.4	19.3	0.877	13.2	UKP209C	UKP209CD	69	2 29/32	2.7	-	-	-	-	-	-	
50	1 3/8	2 5/16	8 3/4	2 5/8	6 5/32	25/32	1 1/4	13/16	4 1/2	2 25/32	1 13/16	5/8	UKP211	P211	UK211	HE2308X	2.0	29.1	17.8	0.809	14.0	-	-	-	-	-	-	-	-	-	-	-
		58.7	222	67	156	20	32	21	114	71	46	M16	UKPX11	PX11	UKX11	HS2308X	3.5	34.1	21.3	0.968	14.0	-	-	-	-	-	-	-	-	-	-	-
	58.7	222	67	156	20	32	21	114	71	46	M16	UKP311	P311	UK311	H2308X	2.0	29.1	17.8	0.809	14.0	UKP208C	UKP208CD	69	2 29/32	2.7	-	-	-	-	-	-	

Remarks 1. In Part No. of unit and units with covers, fitting codes follow bore diameter numbers. (See Table 2.5 in P.11.)

2. Part No. of applicable grease nipples are shown below.

A-1/4-28UNF..... 205-210, X05-X09, 305-308

A-R1/8..... 211-218, X10-X20, 309-328

3. In Part No. of unit with adapters and bearing with adapters, Part No. of applicable adapter follow the Part No. shown in the dimensional tables.

(Example of Part No. : UKP206J + H2306X, UK206 + H2306X)

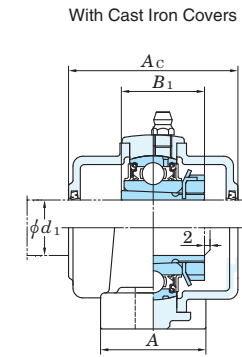
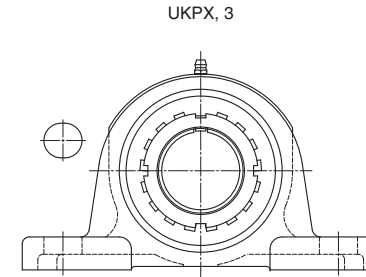
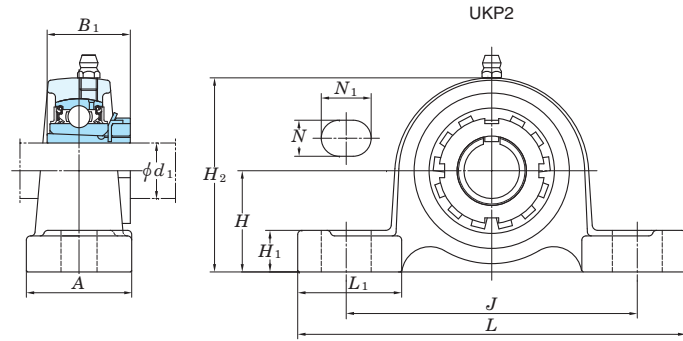
4. As for the triple-lip seal type product (205 is the double-lip seal type product), supplementary code L3 (or L2) follows the Part No. of unit or bearing.

5. For the dimensions and forms of applicable bearings and adapters, see the dimensional tables of ball bearing for unit and adapter assemblies.

6. Representative examples of the forms of housing are indicated.

7. Housings of spheroidal graphite iron casting are also available.

UKP
Tapered bore (with adapter)
 d_1 (90) ~ 125 mm



Variations of tolerance of distance from mounting bottom to center of spherical bore (ΔH_s) Unit: mm

Housing No.			ΔH_s
P205~P210	PX05~PX10	P305~P310	± 0.15
P211~P218	PX11~PX18	P311~P318	± 0.2
	PX20	P319~P328	± 0.3

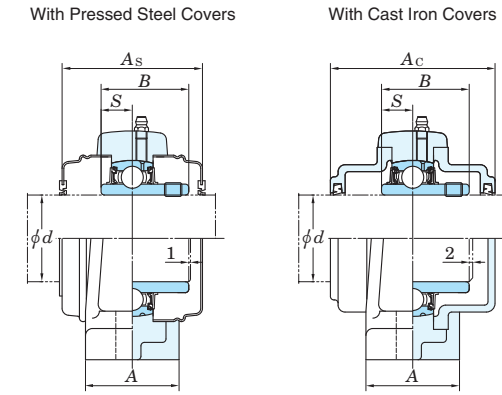
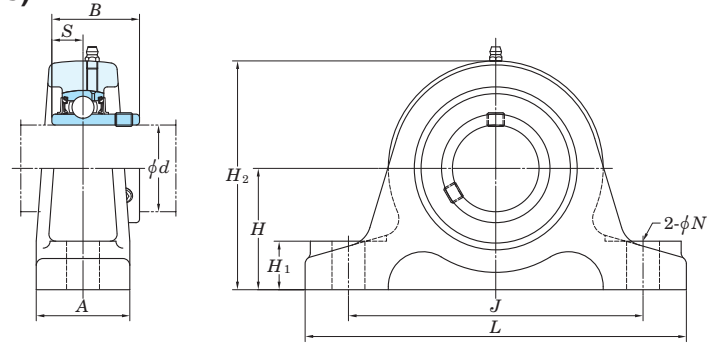
Shaft Dia. mm inch d_1	Dimensions inch mm											Bolt Size inch mm	Standard			Adapter Assembly No.	Mass kg	Basic Load Ratings kN		Fatigue Load Limit kN C_u	Factor f_0	With Pressed Steel Covers			With Cast Iron Covers							
	H	L	A	J	N	N_1	H_1	H_2	L_1	B_1	Unit No.		Housing No.	Bearing No.	Unit No.			Dimension mm inch A_s	Mass kg			Unit No.	Dimension mm inch A_c	Mass kg								
90 3 1/2	5 33/64	19 9/32	4 23/32	14 31/32	1 13/32	1 31/32	1 13/16	10 3/4	5 1/2	3 13/16	1 1/8	UKP320	P320	UK320	HE2320X H2320X	34.8 34.8	173	141	5.08	13.2	-	-	-	-	-	-	-	-	-	-	-	
	140	490	120	380	36	50	46	273	140	97	M30										UKP320C	UKP320CD	174	6 27/32	41.0	UKP320C	UKP320CD	174	6 27/32	41.0		
100 4	5 29/32	20 15/32	5 1/2	15 3/4	1 9/16	2 5/32	1 31/32	11 21/32	5 29/32	4 1/8	1 1/4	UKP322	P322	UK322	H2322X HE2322X	43.9 43.9	205	180	6.15	13.2	-	-	-	-	-	-	-	-	-	-	-	
	150	520	140	400	40	55	50	296	150	105	M33										UKP322C	UKP322CD	188	7 13/32	50.8	UKP322C	UKP322CD	188	7 13/32	50.8		
110 -	6 19/64	22 7/16	5 1/2	17 23/32	1 9/16	2 5/32	1 31/32	12 7/16	6 5/16	4 13/32	1 1/4	UKP324	P324	UK324	H2324	55.7	207	185	6.10	13.5	-	-	-	-	-	-	-	-	-	-	-	-
	160	570	140	450	40	55	50	316	160	112	M33										UKP324C	UKP324CD	196	7 23/32	66.0	UKP324C	UKP324CD	196	7 23/32	66.0		
115 4 1/2	7 3/32	23 5/8	5 1/2	18 29/32	1 9/16	2 5/32	1 31/32	13 21/32	7 11/16	4 3/4	1 1/4	UKP326	P326	UK326	HE2326 H2326	71.9 71.9	229	214	6.79	13.6	-	-	-	-	-	-	-	-	-	-	-	-
	180	600	140	480	40	55	50	355	195	121	M33										UKP326C	UKP326CD	214	8 7/16	85.2	UKP326C	UKP326CD	214	8 7/16	85.2		
125 -	7 7/8	24 13/32	5 1/2	19 11/16	1 9/16	2 5/32	2 3/8	15 15/32	7 9/32	5 5/32	1 1/4	UKP328	P328	UK328	H2328	92.5	253	246	7.54	13.6	-	-	-	-	-	-	-	-	-	-	-	-
	200	620	140	500	40	55	60	393	185	131	M33										UKP328C	UKP328CD	222	8 3/4	109	UKP328C	UKP328CD	222	8 3/4	109		

Remarks 1. In Part No. of unit and units with covers, fitting codes follow bore diameter numbers. (See Table 2.5 in P.11.)
 2. Part No. of applicable grease nipples are shown below.
 A-1/4-28UNF 205~210, X05~X09, 305~308
 A-R1/8 211~218, X10~X20, 309~328

3. In Part No. of unit with adapters and bearing with adapters, Part No. of applicable adapter follow the Part No. shown in the dimensional tables.
 (Example of Part No. : UKP206J + H2306X, UK206 + H2306X)
 4. As for the triple-lip seal type product (205 is the double-lip seal type product), supplementary code L3 (or L2) follows the Part No. of unit or bearing.
 5. For the dimensions and forms of applicable bearings and adapters, see the dimensional tables of ball bearing for unit and adapter assemblies.
 6. Representative examples of the forms of housing are indicated.
 7. Housings of spheroidal graphite iron casting are also available.

Thick section pillow block type

UCIP
Cylindrical bore (with set screws)
d 40 ~ 140 mm



Variations of tolerance of distance from mounting bottom to center of spherical bore (ΔH_b), variations of tolerance of distance between centers of bolt holes (ΔL_b) and variations of tolerance of bolt hole diameter (ΔN_b)

Housing No.	ΔH_b	ΔL_b	ΔN_b
IP208-IP210	± 0.15	± 0.5	± 0.2
IP211-IP213	± 0.2	± 0.7	± 0.3
IP313-IP318	± 0.2	± 0.7	± 0.3
IP319-IP328	± 0.3	± 0.7	± 0.3

Shaft Dia. mm inch d	Dimensions inch mm										Bolt Size inch mm	Standard			Basic Load Ratings kN C _r C _{0r}	Fatigue Load Limit kN C _u	Factor f ₀	With Pressed Steel Covers				With Cast Iron Covers							
	H	L	A	J	N	H ₁	H ₂	B	S	Unit No.		Housing No.	Bearing No.	Mass kg				Open Ends Type	Closed End Type	Dimension mm inch A _s	Mass kg	Open Ends Type	Closed End Type	Dimension mm inch A _c	Mass kg				
40 1 1/2 1 9/16	2 23/64 60	7 7/8 200	2 3/8 60	5 29/32 150	3/4 19	3 1/32 25	4 17/32 115	1.937 49.2	0.748 19	5/8 M16	UCIP208-24 UCIP208-25 UCIP208	IP208	UC208-24 UC208-25 UC208	3.4 3.4 3.4	29.1 17.8	0.809	14.0	-	-	-	-	-	-	-	-				
																		UCIP208C	UCIP208CD	69	2 23/32	3.4	UCIP208FC	UCIP208FCD	86	3 3/8	4.2		
																		-	-	-	-	-	-	-	-	-	-	-	-
45 1 5/8 1 11/16 1 3/4	2 3/4 70	8 9/32 210	2 3/8 60	6 19/64 160	3/4 19	3 1/32 25	5 1/32 128	1.937 49.2	0.748 19	5/8 M16	UCIP209-26 UCIP209-27 UCIP209-28 UCIP209	IP209	UC209-26 UC209-27 UC209-28 UC209	3.9 3.9 3.9 3.9	34.1 21.3	0.968	14.0	-	-	-	-	-	-	-	-	-	-		
																		UCIP209C	UCIP209CD	69	2 23/32	3.9	UCIP209FC	UCIP209FCD	88	3 15/32	4.7		
																		-	-	-	-	-	-	-	-	-	-	-	-
50 1 7/8 1 15/16 2	2 3/4 70	8 21/32 220	2 3/8 60	6 11/16 170	3/4 19	1 3/32 28	5 3/16 132	2.031 51.6	0.748 19	5/8 M16	UCIP210-30 UCIP210-31 UCIP210 UCIP210-32	IP210	UC210-30 UC210-31 UC210 UC210-32	4.8 4.8 4.8 4.8	35.1 23.3	1.06	14.4	-	-	-	-	-	-	-	-	-			
																		UCIP210C	UCIP210CD	74	2 29/32	4.8	UCIP210FC	UCIP210FCD	97	3 13/16	5.8		
																		-	-	-	-	-	-	-	-	-	-	-	-
55 2 2 1/8 2 3/16	3 5/32 80	9 1/16 230	2 3/8 60	7 3/32 180	3/4 19	1 3/32 28	5 13/16 148	2.189 55.6	0.874 22.2	5/8 M16	UCIP211-32 UCIP211-34 UCIP211 UCIP211-35	IP211	UC211-32 UC211-34 UC211 UC211-35	5.3 5.3 5.3 5.3	43.4 29.4	1.34	14.4	-	-	-	-	-	-	-	-	-			
																		UCIP211C	UCIP211CD	76	3	5.3	UCIP211FC	UCIP211FCD	99	3 29/32	6.3		
																		-	-	-	-	-	-	-	-	-	-	-	-
60 2 1/4 2 3/8 2 7/16	3 5/32 80	10 1/4 260	2 3/4 70	7 7/8 200	7/8 22	1 3/16 30	6 3/32 155	2.563 65.1	1.000 25.4	3/4 M20	UCIP212-36 UCIP212 UCIP212-38 UCIP212-39	IP212	UC212-36 UC212 UC212-38 UC212-39	7.2 7.2 7.2 7.2	52.4 36.2	1.65	14.4	-	-	-	-	-	-	-	-	-			
																		UCIP212C	UCIP212CD	89	3 1/2	7.2	UCIP212FC	UCIP212FCD	114	4 1/2	8.7		
																		-	-	-	-	-	-	-	-	-	-	-	-
65 2 1/2 2 1/2	3 35/64 90	11 1/32 280	2 3/4 70	8 21/32 220	7/8 22	1 3/16 30	6 25/32 172	2.563 65.1	1.000 25.4	3/4 M20	UCIP213-40 UCIP213 UCIP213-40 UCIP213	IP213	UC213-40 UC213 UC213-40 UC213	8.8 8.8 13.4 13.4	57.2 40.1	1.82	14.4	-	-	-	-	-	-	-	-	-			
																		UCIP213C	UCIP213CD	89	3 1/2	8.8	UCIP213FC	UCIP213FCD	114	4 1/2	10.5		
																		-	-	-	-	-	-	-	-	-	-	-	-
70 2 3/4 2 3/4	4 21/64 110	13 310	2 15/16 70	10 5/8 250	3 1/32 22	1 3/8 30	8 15/32 208	3.071 75	1.299 30	7/8 M20	UCIP314-44 UCIP314	IP314	UC314-44 UC314	15.3 15.3	104 68.2	2.96	13.2	-	-	-	-	-	-	-	-				
																		-	-	-	-	-	-	-	-	-	-	-	-
																		-	-	-	-	-	-	-	-	-	-	-	-
75 2 15/16 3	4 23/32 120	13 3/8 340	2 15/16 75	11 1/32 280	3 1/32 25	1 3/8 35	9 1/16 230	3.228 82	1.260 32	7/8 M22	UCIP315-47 UCIP315 UCIP315-48	IP315	UC315-47 UC315 UC315-48	17.6 17.6 17.6	113 77.2	3.24	13.2	-	-	-	-	-	-	-	-				
																		-	-	-	-	-	-	-	-	-	-	-	-
																		-	-	-	-	-	-	-	-	-	-	-	-
80 -	4 23/32 120	13 25/32 350	3 11/32 85	11 27/64 290	3 1/32 25	1 9/16 40	9 1/4 235	3.386 86	1.339 34	7/8 M22	UCIP316	IP316	UC316	20.3	123 86.7	3.53	13.3	-	-	-	-	-	-	-	-				
																		-	-	-	-	-	-	-	-	-	-	-	-
																		-	-	-	-	-	-	-	-	-	-	-	-
85 -	5 1/8 130	14 9/16 370	3 11/32 85	12 13/64 310	3 1/32 25	1 9/16 40	10 1/32 255	3.780 96	1.575 40	7/8 M22	UCIP317	IP317	UC317	25.9	133 96.8	3.82	13.3	-	-	-	-	-	-	-					
																		-	-	-	-	-	-	-	-	-	-	-	-
																		-	-	-	-	-	-	-	-	-	-	-	-
90 3 1/2	5 1/8 130	15 3/4 400	3 11/32 85	13 330	1 5/32 29	1 29/32 45	10 1/4 260	3.780 96	1.575 40	1 M27	UCIP318-56 UCIP318	IP318	UC318-56 UC318	28.6 28.6	143 107	4.11	13.3	-	-	-	-	-	-	-					
																		-	-	-	-	-	-	-	-	-	-	-	-
																		-	-	-	-	-	-	-	-	-	-	-	-
95 -	5 29/32 150	16 5/32 410	3 11/32 85	13 25/64 340	1 5/32 29	1 29/32 45	11 7/32 285	4.055 103	1.614 41	1 M27	UCIP319	IP319	UC319	31.7	153 119	4.45	13.3	-	-	-	-	-	-	-					
																		-	-	-	-	-	-	-	-	-	-	-	-
																		-	-	-	-	-	-	-	-	-	-	-	-
100 3 15/16 4	5 29/32 150	16 15/16 430	3 11/32 85	14 11/64 360	1 5/32 29	1 29/32 45	11 5/8 295	4.252 108	1.654 42	1 M27	UCIP320 UCIP320-63 UCIP320-64	IP320	UC320 UC320-63 UC320-64	36.9 36.9 36.9	173 141	5.08	13.2	-	-	-	-	-	-	-					
																		-	-	-	-	-	-	-	-	-	-	-	-
																		-	-	-	-	-	-	-	-	-	-	-	-
110 -	6 11/16 170	19 9/32 490	3 15/16 100	16 9/64 410	1 1/4 32	1 31/32 50	13 3/16 335	4.606 117	1.811 46	1 1/8 M30	UCIP322	IP322	UC322	52.4	205 180	6.15	13.2	-	-	-	-	-	-	-					
																		-	-	-	-	-	-	-	-	-	-	-	-
																		-	-	-	-	-	-	-	-	-	-	-	-
120 -	6 11/16 170	20 3/32 510	3 15/16 100	16 59/64 430	1 1/4 32	1 31/32 50	13 19/32 345	4.961 126	2.008 51	1 1/8 M30	UCIP324	IP324	UC324	58.7	207 185	6.10	13.5	-	-	-	-	-	-	-					
																		-	-	-	-	-	-	-	-	-	-	-	-
																		-	-	-	-	-	-	-	-	-	-	-	-
130 -	7 7/8 200	21 21/32 550	4 11/32 110	18 1/2 470	1 1/4 32	1 31/32 50	15 11/32 390	5.315 135	2.126 54	1 1/8 M30	UCIP326	IP326	UC326	76.2	229 214	6.79	13.6	-	-	-	-	-	-	-					
																		-	-	-	-	-	-	-	-	-	-	-	-
																		-	-	-	-	-	-	-	-	-	-	-	-
140 -	7 7/8 200	23 7/32 590	4 11/32 110	19 11/16 500	1 3/8 35	2 5/32 55	15 3/4 400	5.709 145	2.323 59	1 1/4 M33	UCIP328	IP328	UC328	87.0	253 246	7.54	13.6	-	-	-	-	-	-	-					
																		-	-	-	-	-	-	-	-	-	-	-	-
																		-	-	-	-	-	-	-	-	-	-	-	-

Remarks 1. In Part No. of unit and units with covers, fitting codes follow bore diameter numbers. (See Table 2.5 in P.11.)

2. Part No. of applicable grease nipples are shown below.

A-1/4-28UNF 208-210
A-R1/8 211-213, 313-328

3. As for the triple-lip seal type product, supplementary code L3 follows the Part No. of unit or bearing.

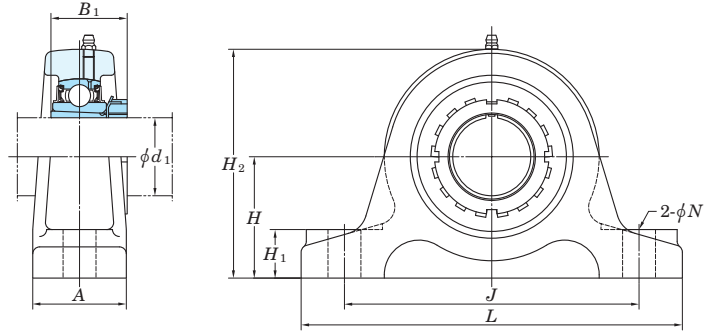
(Example of Part No. : UCIP208JL3, UC208L3)

4. As for the dimensions and forms of applicable bearings, see the dimensional tables of ball bearing for unit.

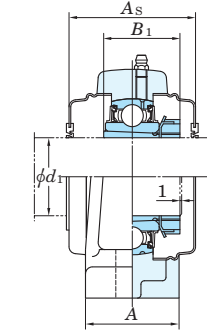
5. Housings of spheroidal graphite iron casting are also available.

Thick section pillow block type

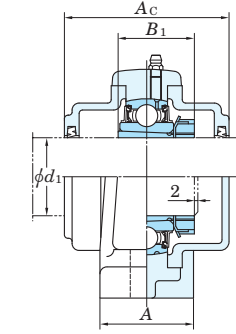
UKIP Tapered bore (with adapter) d_1 35 ~ 125 mm



With Pressed Steel Covers



With Cast Iron Covers



Variations of tolerance of distance from mounting bottom to center of spherical bore (ΔH_b), variations of tolerance of distance between centers of bolt holes (ΔL_b) and variations of tolerance of bolt hole diameter (ΔL_b)

Housing No.	ΔH_b	ΔL_b	ΔL_b	Unit: mm
IP208-IP210	±0.15	±0.5	±0.2	
IP211-IP213	±0.2	±0.7	±0.2	
IP313-IP318	±0.2	±0.7	±0.3	
IP319-IP328	±0.3	±0.7	±0.3	

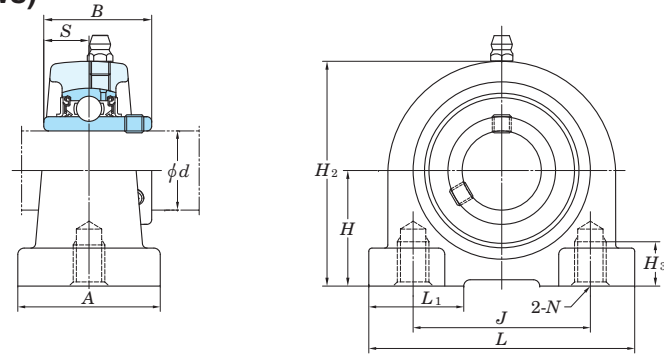
Shaft Dia. mm inch	Dimensions inch mm									Bolt Size inch mm	Standard				Mass kg	Basic Load Ratings kN		Fatigue Load Limit kN	Factor f_0	With Pressed Steel Covers				With Cast Iron Covers			
	d_1	H	L	A	J	N	H ₁	H ₂	B ₁		Unit No.	Housing No.	Bearing No.	Adapter Assembly No.		C _r	C _{0r}			C _u	Unit No.	Dimension mm inch	Mass kg	Unit No.	Dimension mm inch	Mass kg	
35 1 1/4 1 3/8	2 23/64 60	7 7/8 200	2 3/8 60	5 29/32 150	3/4 19	3 1/32 25	4 17/32 115	1 13/16 46	5/8 M16	UKIP208	IP208	UK208	HE2308X HS2308X H2308X	3.5 3.5 3.5	29.1 17.8	0.809	14.0	-	-	-	-	-	-	-	-		
																		UKIP208C	UKIP208CD	69	2 23/32	3.5	UKIP208FC	UKIP208FCD	86	3 3/8	4.4
																		-	-	-	-	-	-	-	-	-	
40 1 1/2	2 3/4 70	8 9/32 210	2 3/8 60	6 19/64 160	3/4 19	3 1/32 25	5 1/32 128	1 31/32 50	5/8 M16	UKIP209	IP209	UK209	HE2309X H2309X	4.0 4.0	34.1 21.3	0.968	14.0	-	-	-	-	-	-	-	-		
																		UKIP209C	UKIP209CD	69	2 23/32	4.0	UKIP209FC	UKIP209FCD	88	3 15/32	4.9
45 1 3/4	2 3/4 70	8 21/32 220	2 3/8 60	6 11/16 170	3/4 19	1 3/32 28	5 3/16 132	2 5/32 55	5/8 M16	UKIP210	IP210	UK210	HE2310X H2310X	4.8 4.8	35.1 23.3	1.06	14.4	-	-	-	-	-	-	-	-		
																		UKIP210C	UKIP210CD	74	2 29/32	4.8	UKIP210FC	UKIP210FCD	97	3 13/16	5.8
50 1 7/8 2	3 5/32 80	9 1/16 230	2 3/8 60	7 3/32 180	3/4 19	1 3/32 28	5 13/16 148	2 5/16 59	5/8 M16	UKIP211	IP211	UK211	HS2311X H2311X HE2311X	5.3 5.3 5.3	43.4 29.4	1.34	14.4	-	-	-	-	-	-	-	-		
																		UKIP211C	UKIP211CD	76	3	5.3	UKIP211FC	UKIP211FCD	99	3 29/32	5.9
																		-	-	-	-	-	-	-	-	-	
55 2 1/8	3 5/32 80	10 1/4 260	2 3/4 70	7 7/8 200	7/8 22	1 3/16 30	6 3/32 155	2 7/16 62	3/4 M20	UKIP212	IP212	UK212	HS2312X H2312X	7.1 7.1	52.4 36.2	1.65	14.4	-	-	-	-	-	-	-	-		
																		UKIP212C	UKIP212CD	89	3 1/2	7.1	UKIP212FC	UKIP212FCD	114	4 1/2	8.6
																		-	-	-	-	-	-	-	-	-	
60 2 1/4 2 3/8 2 1/4	3 35/64 90	11 1/32 280	2 3/4 70	8 21/32 220	7/8 22	1 3/16 30	6 25/32 172	2 9/16 65	3/4 M20	UKIP213	IP213	UK213	HE2313X H2313X HS2313X	8.7 8.7 8.7	57.2 40.1	1.82	14.4	-	-	-	-	-	-	-	-		
																		UKIP213C	UKIP213CD	89	3 1/2	8.7	UKIP213FC	UKIP213FCD	114	4 1/2	10.4
																		-	-	-	-	-	-	-	-	-	
65 2 1/2	4 23/32 120	13 3/8 340	2 15/16 75	11 1/32 280	3 1/32 25	1 3/8 35	9 1/16 230	2 7/8 73	7/8 M22	UKIP315	IP315	UK315	HE2315X H2315X	17.7 17.7	113 77.2	3.24	13.2	-	-	-	-	-	-	-			
																		UKIP315C	UKIP315CD	134	5 9/32	20.5					
70 2 3/4	4 23/32 120	13 25/32 350	3 11/32 85	11 27/64 290	3 1/32 25	1 9/16 40	9 1/4 235	3 1/16 78	7/8 M22	UKIP316	IP316	UK316	HE2316X H2316X	20.4 20.4	123 86.7	3.53	13.3	-	-	-	-	-	-	-			
																		UKIP316C	UKIP316CD	138	5 7/16	23.5					
75 3	5 1/8 130	14 9/16 370	3 11/32 85	12 13/64 310	3 1/32 25	1 9/16 40	10 1/32 255	3 7/32 82	7/8 M22	UKIP317	IP317	UK317	H2317X HE2317X	25.7 25.7	133 96.8	3.82	13.3	-	-	-	-	-	-	-			
																		UKIP317C	UKIP317CD	146	5 3/4	29.2					
80 -	5 1/8 130	15 3/4 400	3 11/32 85	13 330	1 5/32 29	1 25/32 45	10 1/4 260	3 3/8 86	1 M27	UKIP318	IP318	UK318	H2318X	28.7	143 107	4.11	13.3	-	-	-	-	-	-	-			
																		UKIP318C	UKIP318CD	150	5 29/32	32.9					
85 3 1/4	5 29/32 150	16 5/32 410	3 11/32 85	13 25/64 340	1 5/32 29	1 25/32 45	11 7/32 285	3 17/32 90	1 M27	UKIP319	IP319	UK319	HE2319X H2319X	32.0 32.0	153 119	4.45	13.3	-	-	-	-	-	-	-			
																		UKIP319C	UKIP319CD	162	6 3/8	36.7					
90 3 1/2	5 29/32 150	16 15/16 430	3 11/32 85	14 11/64 360	1 3/32 29	1 25/32 45	11 5/8 295	3 13/16 97	1 M27	UKIP320	IP320	UK320	HE2320X H2320X	36.6 36.6	173 141	5.08	13.2	-	-	-	-	-	-	-			
																		UKIP320C	UKIP320CD	174	6 27/32	42.8					
100 4	6 11/16 170	19 9/32 490	3 15/16 100	16 9/64 410	1 1/4 32	1 31/32 50	13 3/16 335	4 1/8 105	1 1/8 M30	UKIP322	IP322	UK322	H2322X HE2322X	52.2 52.2	205 180	6.15	13.2	-	-	-	-	-	-	-			
																		UKIP322C	UKIP322CD	188	7 13/32	59.1					
110 -	6 11/16 170	20 3/32 510	3 15/16 100	16 59/64 430	1 1/4 32	1 31/32 50	13 19/32 345	4 13/32 112	1 1/8 M30	UKIP324	IP324	UK324	H2324	59.0	207 185	6.10	13.5	-	-	-	-	-	-	-			
																		UKIP324C	UKIP324CD	196	7 23/32	69.3					
115 4 1/2	7 7/8 200	21 21/32 550	4 11/32 110	18 1/2 470	1 1/4 32	1 31/32 50	15 11/32 390	4 3/4 121	1 1/8 M30	UKIP326	IP326	UK326	HE2326 H2326	76.0 76.0	229 214	6.79	13.6	-	-	-	-	-	-	-			
																		UKIP326C	UKIP326CD	214	8 7/16	89.3					
125 -	7 7/8 200	23 7/32 590	4 11/32 110	19 11/16 500	1 3/8 35	2 5/32 55	15 3/4 400	4 5/32 131	1 1/4 M33	UKIP328	IP328	UK328	H2328	87.0	253 246	7.54	13.6	-	-	-	-	-	-				
UKIP328C	UKIP328CD	222	8 3/4	104																							

Remarks 1. In Part No. of unit and units with covers, fitting codes follow bore diameter numbers. (See Table 2.5 in P.11.)
 2. Part No. of applicable grease nipples are shown below.
 A-1/4-28UNF 208-210
 A-R1/8 211-213, 313-328

3. In Part No. of unit with adapters and bearing with adapters, Part No. of applicable adapter follow the Part No. shown in the dimensional tables.
 (Example of Part No. : UKIP208J + H2308X, UK208 + H2308X)
 4. As for the triple-lip seal type product, supplementary code L3 follows the Part No. of unit or bearing.
 (Example of Part No. : UKIP208JL3 + H2308X, UK208L3 + H2308X)
 5. For the dimensions and forms of applicable bearings and adapters, see the dimensional tables of ball bearing for unit and adapter assemblies.
 6. Housings of spheroidal graphite iron casting are also available.

Tapped-base pillow block type

UCPA
Cylindrical bore (with set screws)
d 12 ~ 50 mm



Variations of tolerance of distance from mounting bottom to center of spherical bore (ΔH_3) and variations of tolerance of distance between centers of bolt holes (ΔJ_3)

Housing No.	ΔH_3	ΔJ_3
PA204-PA210	±0.15	±0.5

Unit: mm

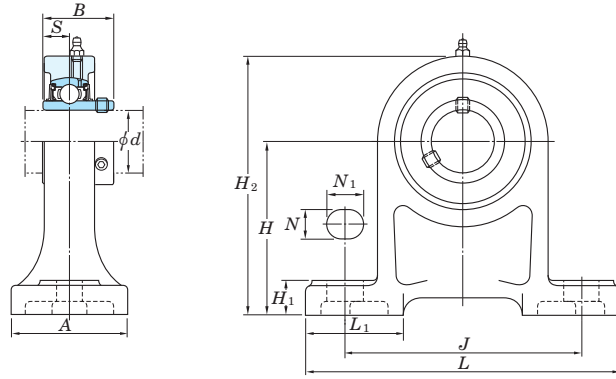
Shaft Dia. mm inch d	Dimensions inch mm										Unit No.	Housing No.	Bearing No.	Basic Load Ratings kN		Fatigue Load Limit kN C _u	Factor f ₀	Mass kg
	H	L	A	J	N	H ₂	H ₃	L ₁	B	S				C _r	C _{0r}			
12 1/2											UCPA201 UCPA201-8		UC201 UC201-8					0.64
15 5/8	1 3/16	3	1 9/16	2 3/64	M10×1.5	2 3/8	1/2	1 1/16	1.220	0.500	UCPA202 UCPA202-10	PA204	UC202 UC202-10	12.8	6.65	0.302	13.2	0.62
17 3/4	30.2	76	40	52	M10×1.5	60	13	27	31	12.7	UCPA203 UCPA204-12		UC203 UC204-12					0.61
20											UCPA204		UC204					0.59
25 7/8 15/16	1 7/16	3 5/16	1 25/32	2 13/64	M10×1.5	2 25/32	1/2	1 3/16	1.343	0.563	UCPA205-14 UCPA205-15	PA205	UC205-14 UC205-15	14.0	7.85	0.357	13.9	0.83
25	36.5	84	45	56	M10×1.5	71	13	30	34.1	14.3	UCPA205		UC205					
25											UCPA205-16		UC205-16					
30 1 1/8	1 11/16	3 11/16	1 31/32	2 19/32	M14×2	3 5/16	23/32	1 13/32	1.500	0.626	UCPA206-18 UCPA206	PA206	UC206-18 UC206	19.5	11.3	0.514	13.9	1.2
30	42.9	94	50	66	M14×2	84	18	36	38.1	15.9	UCPA206-19 UCPA206-20		UC206-19 UC206-20					
35 1 1/4 1 5/16 1 3/8	1 7/8	4 11/32	2 5/32	3 5/32	M14×2	3 21/32	25/32	1 5/8	1.689	0.689	UCPA207-20 UCPA207-21	PA207	UC207-20 UC207-21	25.7	15.4	0.700	13.9	1.7
35	47.6	110	55	80	M14×2	93	20	41	42.9	17.5	UCPA207-22 UCPA207		UC207-22 UC207					
35											UCPA207-23		UC207-23					
40 1 1/2 1 9/16	1 15/16	4 9/16	2 9/32	3 5/16	M14×2	3 27/32	25/32	1 5/8	1.937	0.748	UCPA208-24 UCPA208-25	PA208	UC208-24 UC208-25	29.1	17.8	0.809	14.0	2.0
40	49.2	116	58	84	M14×2	98	20	41	49.2	19	UCPA208		UC208					
45 1 5/8 1 11/16 1 3/4	2 9/64	4 23/32	2 3/8	3 35/64	M14×2	4 3/16	31/32	1 21/32	1.937	0.748	UCPA209-26 UCPA209-27	PA209	UC209-26 UC209-27	34.1	21.3	0.968	14.0	2.2
45	54.2	120	60	90	M14×2	106	25	42	49.2	19	UCPA209-28 UCPA209		UC209-28 UC209					
50 1 7/8 1 15/16	2 1/4	5 1/8	2 17/32	3 45/64	M16×2	4 7/16	31/32	1 27/32	2.031	0.748	UCPA210-30 UCPA210-31	PA210	UC210-30 UC210-31	35.1	23.3	1.06	14.4	2.8
50	57.2	130	64	94	M16×2	113	25	47	51.6	19	UCPA210 UCPA210-32		UC210 UC210-32					

Remarks 1. In Part No. of unit, fitting codes follow bore diameter codes. (See Table 2.5 in P.11.)
 2. Part No. of the applicable grease nipple is A-1/4-28UNF.
 3. As for the triple-lip seal type product (from 201 to 205 are the double-lip seal type products), supplementary code L3 (or L2) follows Part No. of unit or bearing. (Example of Part No. : UCPA206JL3, UC206L3)

4. As for the dimensions and forms of applicable bearings, see the dimensional tables of ball bearing for unit.
 5. Tapered bore (with adapter) type products are also available. (Example of Part No. : UKPA205J + H2305X, UK205 + H2305X)
 6. Housings of spheroidal graphite iron casting are also available.

Higher centerheight pillow block type

UCPH
Cylindrical bore (with set screws)
d 12 ~ 50 mm



Variations of tolerance of distance from mounting bottom to center of spherical bore (ΔH_s)

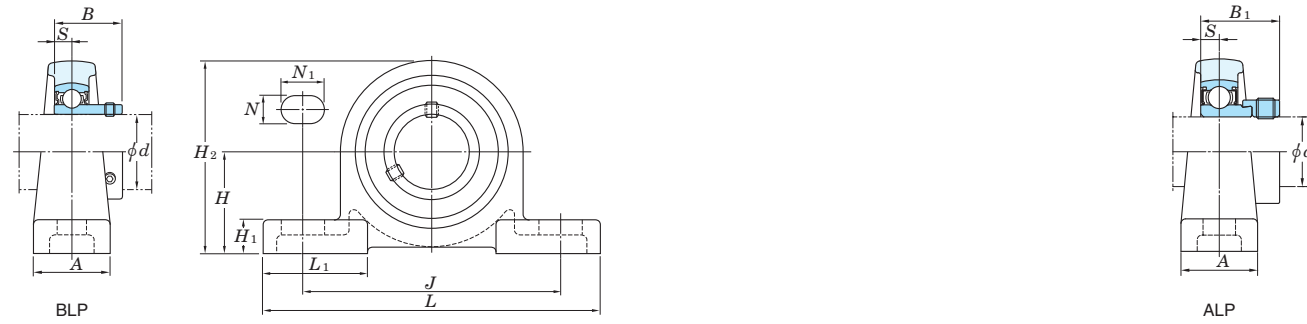
Housing No.	ΔH_s
PH204~PH210	±0.15

Shaft Dia. mm inch d	Dimensions inch mm											Bolt Size inch mm	Unit No.	Housing No.	Bearing No.	Basic Load Ratings kN		Fatigue Load Limit kN C_u	Factor f_0	Mass kg	
	H	L	A	J	N	N_1	H_1	H_2	L_1	B	S					C_r	C_{or}				
12 1/2														UCPH201		UC201					0.96
15 5/8	2 3/4	5	1 9/16	3 3/4	1/2	3/4	19/32	3 31/32	1 13/16	1.220	0.500	3/8	UCPH201-8	PH204	UC201-8	12.8	6.65	0.302	13.2	0.94	
17 3/4	70	127	40	95	13	19	15	101	46	31	12.7	M10	UCPH202		UC202					0.93	
20													UCPH202-10		UC202-10					0.91	
													UCPH203		UC203						
													UCPH204-12		UC204-12						
													UCPH204		UC204						
25 7/8 15/16	3 5/32	5 1/2	1 31/32	4 1/8	1/2	3/4	5/8	4 1/2	1 15/16	1.343	0.563	3/8	UCPH205-14	PH205	UC205-14	14.0	7.85	0.357	13.9	1.2	
	80	140	50	105	13	19	16	114	49	34.1	14.3	M10	UCPH205-15		UC205-15						
													UCPH205		UC205						
													UCPH205-16		UC205-16						
30 1 1/8	3 35/64	6 1/2	1 31/32	4 3/4	21/32	13/16	23/32	5 1/8	2 7/32	1.500	0.626	1/2	UCPH206-18	PH206	UC206-18	19.5	11.3	0.514	13.9	1.6	
	90	165	50	121	17	21	18	130	56	38.1	15.9	M14	UCPH206		UC206						
													UCPH206-19		UC206-19						
													UCPH206-20		UC206-20						
35 1 1/4 1 5/16 1 3/8	3 47/64	6 9/16	2 3/8	5	21/32	13/16	23/32	5 1/2	2 1/8	1.689	0.689	1/2	UCPH207-20	PH207	UC207-20	25.7	15.4	0.700	13.9	2.0	
	95	167	60	127	17	21	18	140	54	42.9	17.5	M14	UCPH207-21		UC207-21						
													UCPH207-22		UC207-22						
													UCPH207		UC207						
													UCPH207-23		UC207-23						
40 1 1/2 1 9/16	3 15/16	7 1/4	2 3/4	5 13/32	21/32	13/16	25/32	5 29/32	2 1/4	1.937	0.748	1/2	UCPH208-24	PH208	UC208-24	29.1	17.8	0.809	14.0	2.7	
	100	184	70	137	17	21	20	150	57	49.2	19	M14	UCPH208-25		UC208-25						
													UCPH208		UC208						
45 1 5/8 1 11/16 1 3/4	4 9/64	7 15/32	2 3/4	5 3/4	21/32	13/16	25/32	6 7/32	2 9/32	1.937	0.748	1/2	UCPH209-26	PH209	UC209-26	34.1	21.3	0.968	14.0	3.0	
	105	190	70	146	17	21	20	158	58	49.2	19	M14	UCPH209-27		UC209-27						
													UCPH209-28		UC209-28						
													UCPH209		UC209						
50 1 7/8 1 15/16	4 21/64	8 1/8	2 3/4	6 1/4	25/32	7/8	7/8	6 1/2	2 9/16	2.031	0.748	5/8	UCPH210-30	PH210	UC210-30	35.1	23.3	1.06	14.4	3.5	
	110	206	70	159	20	22	22	165	65	51.6	19	M16	UCPH210-31		UC210-31						
													UCPH210		UC210						
													UCPH210-32		UC210-32						

Remarks 1. In Part No. of unit, fitting codes follow bore diameter codes. (See Table 2.5 in P.11.)
 2. Part No. of the applicable grease nipple is A-1/4-28UNF.
 3. As for the triple-lip seal type product (from 201 to 205 are the double-lip seal type products), supplementary code L3 (or L2) follows Part No. of unit or bearing. (Example of Part No. : UCPH206JL3, UC206L3)

4. As for the dimensions and forms of applicable bearings, see the dimensional tables of ball bearing for unit.
 5. Tapered bore (with adapter) type products are also available. (Example of Part No. : UKPH205J + H2305X, UK205 + H2305X)

BLP Cylindrical bore (with set screws)
ALP Cylindrical bore (with eccentric locking collar)
 d 12 ~ 40 mm



Variations of tolerance of distance from mounting bottom to center of spherical bore (ΔH_s)

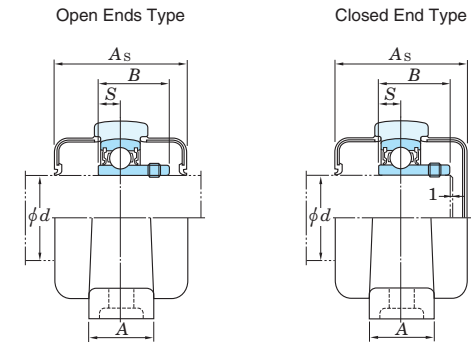
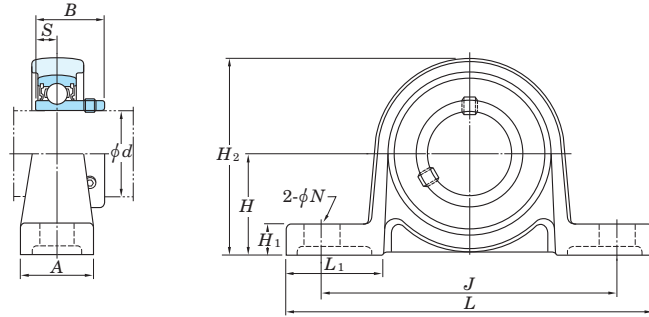
Housing No.	ΔH_s
LP203-LP208	±0.15

Shaft Dia. mm inch	Dimensions inch mm											Bolt Size inch mm	Unit No.	Bearing No.	Unit No.	Bearing No.	Housing No.	Basic Load Ratings kN		Fatigue Load Limit kN	Factor f_0	Mass kg		
	H	L	A	J	N	N_1	H_1	H_2	L_1	S	BLP B							ALP B ₁	C_r			C_{0r}	C_u	BLP
12 1/2	1 3/16	4 1/2	3 1/32	3 7/16	7/16	5/8	15/32	2 1/4	1 3/8	0.236	0.866	1.122	3/8	BLP201 BLP201-8	SB201 SB201-8	ALP201 ALP201-8	SA201 SA201-8	LP203	9.55	4.80	0.218	13.2	0.36	0.39
15 5/8	30.2	114	25	87	11	16	12	57	35	6	22	28.5	M10	BLP202 BLP202-10	SB202 SB202-10	ALP202 ALP202-10	SA202 SA202-10							
17														BLP203	SB203	ALP203	SA203							
20 3/4	1 5/16	4 29/32	1 1/16	3 13/16	7/16	5/8	1/2	2 9/16	1 1/2	0.276	0.984	1.161	3/8	BLP204-12 BLP204	SB204-12 SB204	ALP204-12 ALP204	SA204-12 SA204	LP204	12.8	6.65	0.302	13.2	0.51	0.51
25 7/8	1 7/16	5 1/8	1 5/32	3 15/16	7/16	5/8	1/2	2 25/32	1 17/32	0.295	1.063	1.201	3/8	BLP205-14 BLP205-15	SB205-14 SB205-15	ALP205-14 ALP205-15	SA205-14 SA205-15							
25 15/16	36.5	130	29	100	11	16	13	71	39	7.5	27	30.5	M10	BLP205	SB205	ALP205	SA205							
25 1														BLP205-16	SB205-16	ALP205-16	SA205-16							
30 1 1/8	1 11/16	6 5/32	1 5/16	4 23/32	9/16	13/16	9/16	3 9/32	1 27/32	0.315	1.181	1.335	1/2	BLP206-18 BLP206	SB206-18 SB206	ALP206-18 ALP206	SA206-18 SA206	LP206	19.5	11.3	0.514	13.9	0.69	0.72
30 1 3/16	42.9	156	33	120	14	21	14	83	47	8	30	33.9	M12	BLP206-19	SB206-19	ALP206-19	SA206-19							
30 1 1/4														BLP206-20	SB206-20	ALP206-20	SA206-20							
35 1 1/4	1 7/8	6 1/2	1 3/8	5	9/16	13/16	5/8	3 21/32	1 31/32	0.335	1.260	1.437	1/2	BLP207-22 BLP207	SB207-22 SB207	ALP207-22 ALP207	SA207-22 SA207	LP207	25.7	15.4	0.700	13.9	0.94	1.0
35 1 5/16	47.6	165	35	127	14	21	16	93	50	8.5	32	36.5	M12	BLP207-23	SB207-23	ALP207-23	SA207-23							
35 1 3/8														BLP207-20	SB207-20	ALP207-20	SA207-20							
40 1 1/2	2	7 1/4	1 15/32	5 1/2	9/16	7/8	23/32	4 1/32	2 5/32	0.354	1.339	1.595	1/2	BLP208-24 BLP208	SB208-24 SB208	ALP208-24 ALP208	SA208-24 SA208	LP208	29.1	17.8	0.809	14.0	1.8	1.9
40 1 9/16	50.8	184	37	140	14	22	18	102	55	9	34	40.5	M12	BLP208-25	SB208-25	ALP208-25	SA208-25							

Remarks 1. In Part No. of unit, fitting codes follow bore diameter codes. (See Table 2.5 in P.11.)
 2. Allowable load to housing in radial direction is approximately half of basic load rating of bearing, C_r (when safety factor is 4).
 3. For the dimensions and forms of applicable bearings, see the dimensional tables of ball bearing for unit.

“Compact” series pillow block type

UP
Cylindrical bore (with set screws)
 d 10 ~ 30 mm



Variations of tolerance of distance from mounting bottom to center of spherical bore (ΔH_s) and variations of tolerance of distance between centers of bolt holes (ΔJ_s)

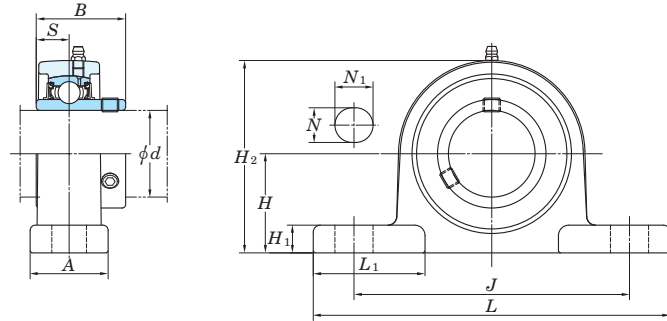
Housing No.	ΔH_s	ΔJ_s
P000-P006	± 0.15	± 0.3

Unit: mm

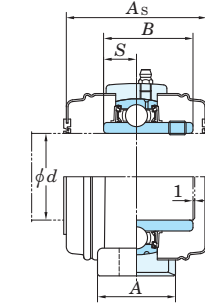
Shaft Dia. mm d	Dimensions inch mm										Bolt Size inch mm	Standard			Mass kg	Basic Load Ratings kN		Fatigue Load Limit kN C_u	Factor f_0	With Rubber Coated Covers		Mass kg		
	H	L	A	J	N	H_1	H_2	L_1	B	S		Unit No.	Housing No.	Bearing No.		C_r	C_{0r}			Unit No.			Dimension mm inch	
																				Open Ends Type	Closed End Type		A_s	
10	$45/64$ 18	$2\ 5/8$ 67	$5/8$ 16	$2\ 3/32$ 53	$9/32$ 7	$1/4$ 6	$1\ 3/8$ 35	$23/32$ 18	0.591 15	0.197 5	$1/4$ M6	UP000	P000	SU000	4.55	1.95	0.089	12.3	UP000C	UP000CD	29	$1\ 5/32$	0.07	
12	$3/4$ 19	$2\ 25/32$ 71	$5/8$ 16	$2\ 13/64$ 56	$9/32$ 7	$1/4$ 6	$1\ 1/2$ 38	$3/4$ 19	0.591 15	0.197 5	$1/4$ M6	UP001	P001	SU001	5.10	2.40	0.109	13.2	UP001C	UP001CD	29	$1\ 5/32$	0.09	
15	$55/64$ 22	$3\ 5/32$ 80	$5/8$ 16	$2\ 31/64$ 63	$9/32$ 7	$9/32$ 7	$1\ 11/16$ 43	$13/16$ 21	0.650 16.5	0.217 5.5	$1/4$ M6	UP002	P002	SU002	5.60	2.85	0.130	13.9	UP002C	UP002CD	31	$1\ 7/32$	0.11	
17	$15/16$ 24	$3\ 11/32$ 85	$23/32$ 18	$2\ 41/64$ 67	$9/32$ 7	$9/32$ 7	$1\ 27/32$ 47	$13/16$ 21	0.689 17.5	0.236 6	$1/4$ M6	UP003	P003	SU003	6.00	3.25	0.148	14.4	UP003C	UP003CD	33	$1\ 5/16$	0.15	
20	$1\ 7/64$ 28	$3\ 15/16$ 100	$25/32$ 20	$3\ 5/32$ 80	$13/32$ 10	$11/32$ 9	$2\ 5/32$ 55	$31/32$ 25	0.827 21	0.276 7	$5/16$ M8	UP004	P004	SU004	9.40	5.05	0.230	13.9	UP004C	UP004CD	38	$1\ 1/2$	0.23	
25	$1\ 17/64$ 32	$4\ 13/32$ 112	$25/32$ 20	$3\ 35/64$ 90	$13/32$ 10	$13/32$ 10	$2\ 7/16$ 62	$1\ 3/32$ 28	0.866 22	0.276 7	$5/16$ M8	UP005	P005	SU005	10.1	5.85	0.266	14.5	UP005C	UP005CD	40	$1\ 9/16$	0.28	
30	$1\ 27/64$ 36	$5\ 3/16$ 132	$1\ 1/32$ 26	$4\ 11/64$ 106	$1/2$ 13	$7/16$ 11	$2\ 3/4$ 70	$1\ 11/32$ 34	0.965 24.5	0.295 7.5	$3/8$ M10	UP006	P006	SU006	13.2	8.25	0.375	14.7	UP006C	UP006CD	44	$1\ 23/32$	0.42	

Remarks 1. In Part No. of unit and units with covers, fitting codes follow bore diameter codes. (See Table 2.5 in P.11.)
2. For the dimensions and forms of applicable bearings, see the dimensional tables of ball bearing for unit.

UCSP-H1S6
Cylindrical bore (with set screws)
 d 20 ~ 50 mm



With Pressed Stainless Steel Covers



Variations of tolerance of distance from mounting bottom to center of spherical bore (ΔH_s)

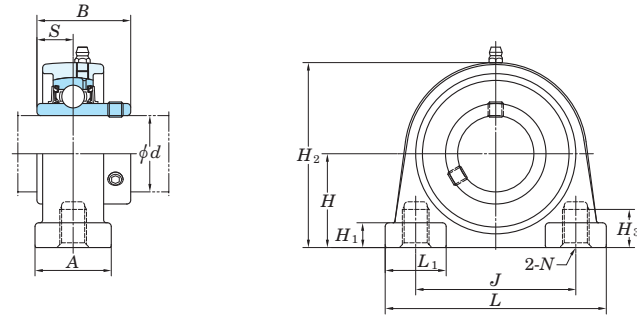
Housing No.	ΔH_s
SP203H1~SP210H1	± 0.15
SP211H1~SP212H1	± 0.2

Unit: mm

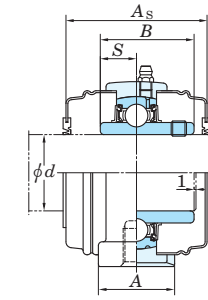
Shaft Dia. mm d	Dimensions inch mm											Bolt Size inch mm	Standard			Mass kg	Basic Load Ratings kN		Fatigue Load Limit kN C_u	Factor f_0	With Pressed Stainless Steel Covers			
	H	L	A	J	N	N_1	H_1	H_2	L_1	B	S		Unit No.	Housing No.	Bearing No.		C_r	C_{0r}			Unit No. Open Ends Type	Unit No. Closed End Type	Dimension mm inch A_s	Mass kg
20	1 5/16 33.3	5 127	1 3/16 30	3 3/4 95	1/2 13	23/32 18	7/16 11	2 15/32 63	1 21/32 42	1.220 31	0.500 12.7	3/8 M10	UCSP204H1S6	SP204H1	UC204S6	0.6	10.9	5.35	0.243	13.2	UCSP204H1CS6	UCSP204H1CDS6	45 1 25/32	0.6
25	1 7/16 36.5	5 1/2 140	1 3/16 30	4 1/8 105	1/2 13	3/4 19	15/32 12	2 23/32 69	1 13/16 46	1.343 34.1	0.563 14.3	3/8 M10	UCSP205H1S6	SP205H1	UC205S6	0.7	11.9	6.3	0.286	13.9	UCSP205H1CS6	UCSP205H1CDS6	49 1 15/16	0.7
30	1 11/16 42.9	6 1/2 165	1 13/32 36	4 3/4 121	21/32 17	13/16 21	1/2 13	3 3/16 81	2 1/8 54	1.500 38.1	0.626 15.9	1/2 M14	UCSP206H1S6	SP206H1	UC206S6	1.1	16.5	9.05	0.411	13.9	UCSP206H1CS6	UCSP206H1CDS6	53 2 3/32	1.1
35	1 7/8 47.6	6 9/16 167	1 1/2 38	5 127	21/32 17	13/16 21	9/16 14	3 19/32 91	2 51	1.689 42.9	0.689 17.5	1/2 M14	UCSP207H1S6	SP207H1	UC207S6	1.4	21.8	12.3	0.559	13.9	UCSP207H1CS6	UCSP207H1CDS6	60 2 3/8	1.4
40	1 15/16 49.2	7 1/4 184	1 9/16 40	5 13/32 137	21/32 17	13/16 21	9/16 14	3 13/16 97	2 3/8 60	1.937 49.2	0.748 19	1/2 M14	UCSP208H1S6	SP208H1	UC208S6	1.7	24.8	14.3	0.650	14.0	UCSP208H1CS6	UCSP208H1CDS6	69 2 23/32	1.7
45	2 1/8 54	7 15/32 190	1 9/16 40	5 3/4 146	21/32 17	13/16 21	19/32 15	4 3/32 104	2 13/32 61	1.937 49.2	0.748 19	1/2 M14	UCSP209H1S6	SP209H1	UC209S6	2	27.8	16.2	0.736	14.0	UCSP209H1CS6	UCSP209H1CDS6	69 2 23/32	2.0
50	2 1/4 57.2	8 1/8 206	1 25/32 45	6 1/4 159	25/32 20	7/8 22	5/8 16	4 3/8 111	2 9/16 65	2.031 51.6	0.748 19	5/8 M16	UCSP210H1S6	SP210H1	UC210S6	2.5	29.8	18.6	0.845	14.4	UCSP210H1CS6	UCSP210H1CDS6	74 2 29/32	2.5

- Remarks 1. In Part No. of unit and units with covers, fitting codes follow bore diameter codes. (See Table 2.5 in P.11.)
 2. Part No. of the applicable grease nipple is A-1/4-28UNFN12.
 3. For the dimensions and forms of applicable bearings, see the dimensional tables of ball bearing for unit.

UCSPA-H1S6
Cylindrical bore (with set screws)
 d 20 ~ 40 mm



With Pressed Stainless Steel Covers



Variations of tolerance of distance from mounting bottom to center of spherical bore (ΔH_s) and variations of tolerance of distance between centers of bolt holes (ΔJ_s)

Housing No.	ΔH_s	ΔJ_s
SPA203H1-SPA208H1	±0.15	±0.5

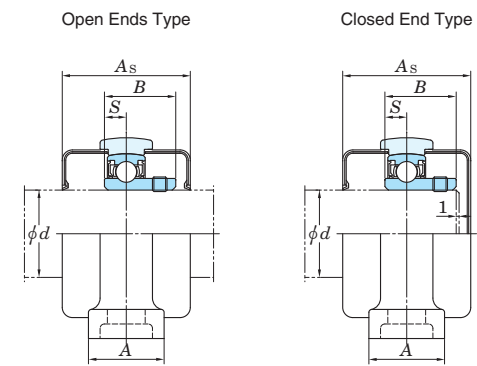
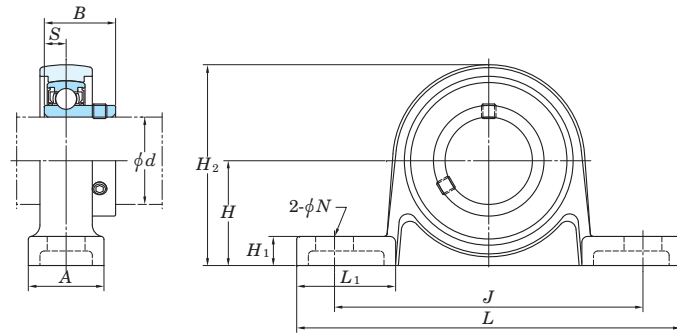
Unit: mm

Shaft Dia. mm d	Dimensions											Standard			Mass kg	Basic Load Ratings kN		Fatigue Load Limit kN C _u	Factor f ₀	With Pressed Stainless Steel Covers		Dimension mm A _s	Mass kg	
	H	L	A	J	N	H ₁	H ₂	H ₃	L ₁	B	S	Unit No.	Housing No.	Bearing No.		C _r	C _{0r}			Open Ends Type	Closed End Type			
20	1 3/16	3	1 3/16	2 3/64		13/32	2 3/8	33/64	7/8	1.220	0.500	UCSPA204H1S6	SPA204H1	UC204S6		10.9	5.35	0.243	13.2	UCSPA204H1CS6	UCSPA204H1CDS6	45	1 25/32	0.46
	30.2	76	30	52	M10×1.5	10	60	13	22	31	12.7													
25	1 7/16	3 5/16	1 3/16	2 13/64		15/32	2 23/32	33/64	15/16	1.343	0.563	UCSPA205H1S6	SPA205H1	UC205S6		11.9	6.3	0.286	13.9	UCSPA205H1CS6	UCSPA205H1CDS6	49	1 15/16	0.63
	36.5	84	30	56	M10×1.5	12	69	13	24	34.1	14.3													
30	1 11/16	3 11/16	1 13/32	2 19/32		15/32	3 3/16	45/64	1 3/32	1.500	0.626	UCSPA206H1S6	SPA206H1	UC206S6		16.5	9.05	0.411	13.9	UCSPA206H1CS6	UCSPA206H1CDS6	53	2 3/32	0.91
	42.9	94	36	66	M14×2	12	81	18	28	38.1	15.9													
35	1 7/8	4 11/32	1 1/2	3 5/32		1/2	3 19/32	25/32	1 3/16	1.689	0.689	UCSPA207H1S6	SPA207H1	UC207S6		21.8	12.3	0.559	13.9	UCSPA207H1CS6	UCSPA207H1CDS6	60	2 3/8	1.3
	47.6	110	38	80	M14×2	13	91	20	30	42.9	17.5													
40	1 15/16	4 9/16	1 9/16	3 5/16		1/2	3 13/16	25/32	1 1/4	1.937	0.748	UCSPA208H1S6	SPA208H1	UC208S6		24.8	14.3	0.650	14.0	UCSPA208H1CS6	UCSPA208H1CDS6	69	2 23/32	1.5
	49.2	116	40	84	M14×2	13	97	20	32	49.2	19													

Remarks 1. In Part No. of unit and units with covers, fitting codes follow bore diameter codes. (See Table 2.5 in P.11.)
 2. Part No. of the applicable grease nipple is A-1/4-28UNFN12.
 3. For the dimensions and forms of applicable bearings, see the dimensional tables of ball bearing for unit.

Stainless-series pillow block type

USP-S6
Cylindrical bore (with set screws)
 d 10 ~ 30 mm



Variations of tolerance of distance from mounting bottom to center of spherical bore (ΔH_s) and variations of tolerance of distance between centers of bolt holes (ΔJ_s)

Housing No.	ΔH_s	ΔJ_s
SP000-SP006	± 0.15	± 0.3

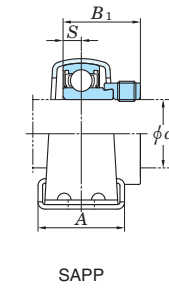
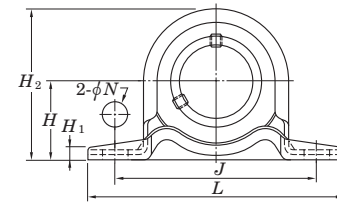
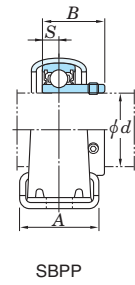
Unit: mm

Shaft Dia. mm d	Dimensions inch mm										Bolt Size inch mm	Standard			Mass kg	Basic Load Ratings kN		Fatigue Load Limit kN C_u	Factor f_0	With Rubber Coated Covers Unit No.		Dimension mm inch		Mass kg
	H	L	A	J	N	H_1	H_2	L_1	B	S		Unit No.	Housing No.	Bearing No.		C_r	C_{0r}			Open Ends Type	Closed End Type	A_s		
10	$45/64$ 18	$2\ 5/8$ 67	$5/8$ 16	$2\ 3/32$ 53	$9/32$ 7	$3/16$ 5	$1\ 3/8$ 35	$23/32$ 18	0.591 15	0.197 5	$1/4$ M6	USP000S6	SP000	SU000S6	3.9	1.55	0.070	12.3	USP000CS6	USP000CDS6	29	$1\ 5/32$	0.08	
12	$3/4$ 19	$2\ 25/32$ 71	$5/8$ 16	$2\ 7/32$ 56	$9/32$ 7	$3/16$ 5	$1\ 15/32$ 37	$23/32$ 18.5	0.591 15	0.197 5	$1/4$ M6	USP001S6	SP001	SU001S6	4.3	1.9	0.086	13.2	USP001CS6	USP001CDS6	29	$1\ 5/32$	0.08	
15	$55/64$ 22	$3\ 5/32$ 80	$5/8$ 16	$2\ 15/32$ 63	$9/32$ 7	$1/4$ 6	$1\ 11/16$ 42.5	$13/16$ 20.5	0.650 16.5	0.217 5.5	$1/4$ M6	USP002S6	SP002	SU002S6	4.7	2.25	0.102	13.9	USP002CS6	USP002CDS6	31	$1\ 7/32$	0.11	
17	$15/16$ 24	$3\ 11/32$ 85	$23/32$ 18	$2\ 5/8$ 67	$9/32$ 7	$1/4$ 6	$1\ 13/16$ 46	$13/16$ 21	0.689 17.5	0.236 6	$1/4$ M6	USP003S6	SP003	SU003S6	5.1	2.6	0.118	14.4	USP003CS6	USP003CDS6	33	$1\ 5/16$	0.14	
20	$1\ 7/64$ 28	$3\ 15/16$ 100	$25/32$ 20	$3\ 5/32$ 80	$13/32$ 10	$5/16$ 8	$2\ 5/32$ 54.5	$31/32$ 25	0.827 21	0.276 7	$5/16$ M8	USP004S6	SP004	SU004S6	7.9	4	0.182	13.9	USP004CS6	USP004CDS6	38	$1\ 1/2$	0.23	
25	$1\ 17/64$ 32	$4\ 13/32$ 112	$25/32$ 20	$3\ 17/32$ 90	$13/32$ 10	$11/32$ 9	$2\ 13/32$ 61	$1\ 3/32$ 27.5	0.866 22	0.276 7	$5/16$ M8	USP005S6	SP005	SU005S6	8.5	4.65	0.211	14.5	USP005CS6	USP005CDS6	40	$1\ 9/16$	0.28	
30	$1\ 27/64$ 36	$5\ 3/16$ 132	$1\ 1/32$ 26	$4\ 3/16$ 106	$1/2$ 13	$13/32$ 10	$2\ 23/32$ 69	$1\ 11/32$ 34	0.965 24.5	0.295 7.5	$3/8$ M10	USP006S6	SP006	SU006S6	11.2	6.6	0.300	14.7	USP006CS6	USP006CDS6	44	$1\ 23/32$	0.43	

Remarks 1. In Part No. of unit and units with covers, fitting codes follow bore diameter codes. (See Table 2.5 in P.11.)
2. For the dimensions and forms of applicable bearings, see the dimensional tables of ball bearing for unit.

Pressed steel pillow block type

SBPP Cylindrical bore (with set screws) d 12 ~ 30 mm
SAPP Cylindrical bore (with eccentric locking collar)



Variations of tolerance of distance between centers of bolt holes (ΔJ_s) and variations of tolerance of bolt hole diameter (ΔN_s)

Housing No.	ΔJ_s	ΔN_s
PP203-PP206	±0.4	±0.5

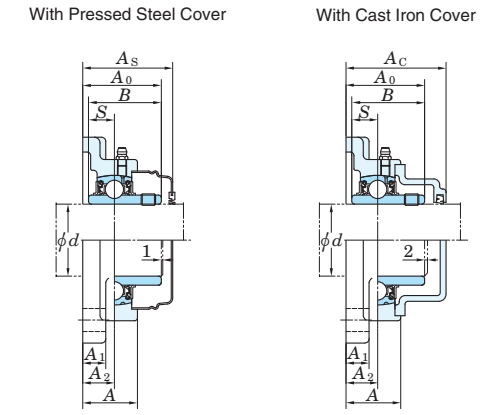
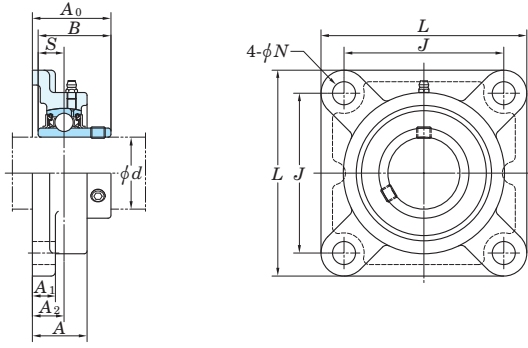
Unit: mm

Shaft Dia mm inch	Dimensions inch mm										Bolt Size inch mm	Unit No.	Bearing No.	Unit No.	Bearing No.	Housing No.	Basic Load Ratings kN		Fatigue Load Limit kN	Factor f_0	Mass kg	
	H	L	A	J	N	H_1	H_2	S	SBPP B	SAPP B_1							C_r	C_{0r}			C_u	SBPP
12 1/2	7/8	3 3/8	31/32	2 43/64	3/8	1/8	1 23/32	0.236	0.866	1.122	5/16	SBPP201 SBPP201-8	SB201 SB201-8	SAPP201 SAPP201-8	SA201 SA201-8	PP203	9.55	4.80	0.218	13.2	0.16	0.19
15 5/8	1	3 27/32	1 1/4	2 63/64	3/8	1/8	2	0.276	0.984	1.161	5/16	SBPP202-10 SBPP203	SB202-10 SB203	SAPP202-10 SAPP203	SA202-10 SA203	PP204	12.8	6.65	0.302	13.2	0.23	0.23
17	1 1/8	4 1/4	1 1/4	3 25/64	29/64	5/32	2 7/32	0.295	1.063	1.201	3/8	SBPP203 SBPP205-14	SB203 SB205-14	SAPP203 SAPP205-14	SA203 SA205-14	PP205	14.0	7.85	0.357	13.9	0.28	0.32
20 3/4	1 5/16	4 19/32	1 1/2	3 3/4	29/64	5/32	2 5/8	0.315	1.181	1.335	3/8	SBPP205-16 SBPP206-18	SB205-16 SB206-18	SAPP205-16 SAPP206-18	SA205-16 SA206-18	PP206	19.5	11.3	0.514	13.9	0.47	0.50

Remark For the dimensions and forms of applicable bearings, see the dimensional tables of ball bearing for unit.

Square-flanged type

UCF Cylindrical bore (with set screws) d (45) ~ (75) mm



Variations of tolerance of distance from mounting surface to center of spherical bore (ΔA_{2s}) and tolerance of position of bolt hole (X)

Housing No.			ΔA_{2s}	X
F204-F210	FX05-FX10	F305-F310	± 0.5	0.7
F211-F218	FX11-FX20	F311-F328	± 0.8	1

Unit: mm

Variations of tolerance of bolt hole diameter (ΔN_s)

Housing No.			ΔN_s
F204-F218	FX05-FX18	F305-F315	± 0.2
FX20	F316-F328		± 0.3

Unit: mm

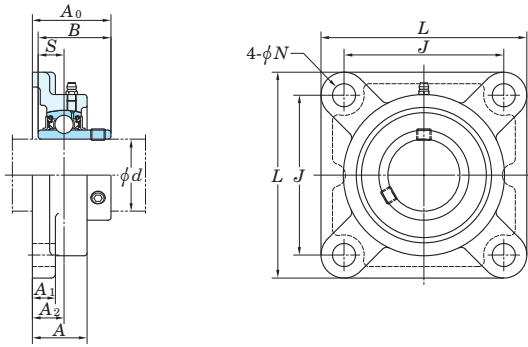
Shaft Dia. mm inch	Dimensions inch mm										Bolt Size inch mm	Standard			Basic Load Ratings kN C_r C_{or}	Fatigue Load Limit kN C_u	Factor f_0	With Pressed Steel Cover				With Cast Iron Cover			
	d	L	A	J	N	A_1	A_2	A_0	B	S		Unit No.	Housing No.	Bearing No.				Mass kg	Open End Type	Closed End Type	Dimension mm inch A_s	Mass kg	Open End Type	Closed End Type	Dimension mm inch A_c
45 1 3/4	6 5/16	1 23/32	4 59/64	3/4	23/32	63/64	2 3/8	2.244	0.866	5/8	UCF309-28	F309	UC309-28	4.0	-	-	-	-	-	-	-	-	-		
	160	44	125	19	18	25	60	57	22	M16	UCF309		UC309	4.0	-	-	-	-	-	-	-	-			
50 1 7/8 1 15/16 2 1 15/16	5 5/8	1 9/16	4 3/8	5/8	5/8	55/64	2 5/32	2.031	0.748	1/2	UCF210-30	F210	UC210-30	2.5	-	-	-	-	-	-	-	-			
	143	40	111	16	16	22	54.6	51.6	19	M14	UCF210-31		UC210-31	2.5	-	-	-	-	-	-	-				
	2	2	2	2	2	2	2	2	2	2	UCF210		UC210	2.5	UCF210C	UCF210D	59	2 5/16	2.5	UCF210FC	UCF210FD	70.5	2 25/32	3.0	
	1 15/16	6 3/8	1 23/32	5 1/8	3/4	25/32	1 1/32	2 11/32	2.189	0.874	5/8	UCFX10-31	FX10	UCX10-31	3.7	-	-	-	-	-	-	-			
2	162	44	130	19	20	26	59.4	55.6	22.2	M16	UCFX10		UCX10	3.7	UCFX10C	UCFX10D	64	2 17/32	3.7	-	-	-			
-	6 7/8	1 7/8	5 13/64	29/32	3/4	1 7/64	2 5/8	2.402	0.866	3/4	UCF310	F310	UC310	5.1	-	-	-	-	-	-	-				
2	175	48	132	23	19	28	67	61	22	M20			UC310	5.1	-	-	-	-	-	-	-				
55 2 2 1/8 2 3/16	6 3/8	1 11/16	5 1/8	3/4	23/32	63/64	2 5/16	2.189	0.874	5/8	UCF211-32	F211	UC211-32	3.4	-	-	-	-	-	-	-				
	162	43	130	19	18	25	58.4	55.6	22.2	M16	UCF211-34		UC211-34	3.4	-	-	-	-	-	-					
	2 3/16	2 3/16	2 3/16	2 3/16	2 3/16	2 3/16	2 3/16	2 3/16	2 3/16	2 3/16	UCF211		UC211	3.4	UCF211C	UCF211D	63	2 15/32	3.4	UCF211FC	UCF211FD	74.5	2 15/16	4.0	
	2	6 7/8	1 15/16	5 5/8	3/4	25/32	1 9/64	2 23/32	2.563	1.000	5/8	UCFX11	FX11	UCX11	4.9	-	-	-	-	-	-				
2 3/16	175	49	143	19	20	29	68.7	65.1	25.4	M16	UCFX11-35		UCX11-35	4.9	UCFX11C	UCFX11D	73.5	2 29/32	4.9	-	-	-			
2 1/4	2 1/4	2 1/4	2 1/4	2 1/4	2 1/4	2 1/4	2 1/4	2 1/4	2 1/4	2 1/4	UCFX11-36		UCX11-36	4.9	-	-	-	-	-	-					
2	7 9/32	2 1/16	5 33/64	29/32	25/32	1 3/16	2 25/32	2.598	0.984	3/4	UCF311-32	F311	UC311-32	5.6	-	-	-	-	-	-					
-	185	52	140	23	20	30	71	66	25	M20	UCF311		UC311	5.6	-	-	-	-	-						
60 2 1/4 2 3/8 2 7/16	6 7/8	1 7/8	5 5/8	3/4	23/32	1 9/64	2 23/32	2.563	1.000	5/8	UCF212-36	F212	UC212-36	4.2	-	-	-	-	-	-					
	175	48	143	19	18	29	68.7	65.1	25.4	M16	UCF212		UC212	4.2	UCF212C	UCF212D	73.5	2 29/32	4.2	UCF212FC	UCF212FD	86	3 3/8	5.0	
	2 7/16	2 7/16	2 7/16	2 7/16	2 7/16	2 7/16	2 7/16	2 7/16	2 7/16	2 7/16	UCF212-38		UC212-38	4.2	-	-	-	-	-						
	2	7 3/8	2 5/16	5 55/64	3/4	13/16	1 11/32	2 29/32	2.563	1.000	5/8	UCFX12	FX12	UCX12	5.7	UCFX12C	UCFX12D	78.5	3 3/32	5.7	-	-	-		
-	195	56	150	23	22	33	78	71	26	M20	UCFX12-39		UCX12-39	5.7	-	-	-	-	-						
2 1/2	7 3/8	1 31/32	5 55/64	3/4	7/8	1 3/16	2 3/4	2.563	1.000	5/8	UCF312	F312	UC312	6.9	-	-	-	-	-						
2 1/2	187	50	149	19	22	30	69.7	65.1	25.4	M16			UC312	6.9	UCF312C	UCF312D	95	3 3/4	8.1	-	-	-			
65 2 1/2 2 1/2 2 1/2	7 3/8	1 31/32	5 55/64	3/4	7/8	1 3/16	2 3/4	2.563	1.000	5/8	UCF213-40	F213	UC213-40	5.2	-	-	-	-	-						
	187	50	149	19	22	30	69.7	65.1	25.4	M16	UCF213		UC213	5.2	UCF213C	UCF213D	74.5	2 15/16	5.2	UCF213FC	UCF213FD	87	3 7/16	6.0	
	2 1/2	7 3/8	2 5/16	5 55/64	3/4	13/16	1 11/32	2.937	1.189	5/8	UCFX13-40	FX13	UCX13-40	6.3	-	-	-	-	-						
2 1/2	187	59	149	19	21	34	78.4	74.6	30.2	M16	UCFX13		UCX13	6.3	UCFX13C	UCFX13D	83.5	3 9/32	6.3	-	-	-			
2 1/2	8 3/16	2 9/32	6 17/32	29/32	7/8	1 19/64	3 1/16	2.953	1.181	3/4	UCF313-40	F313	UC313-40	7.8	-	-	-	-	-						
-	208	58	166	23	22	33	78	75	30	M20	UCF313		UC313	7.8	-	-	-	-							
70 2 3/4 2 3/4 2 3/4	7 19/32	2 1/8	5 63/64	3/4	7/8	1 7/32	2 31/32	2.937	1.189	5/8	UCF214-44	F214	UC214-44	5.9	-	-	-	-	-						
	193	54	152	19	22	31	75.4	74.6	30.2	M16	UCF214		UC214	5.9	UCF214C	UCF214D	80.5	3 5/32	5.9	UCF214FC	UCF214FD	93	3 21/32	6.8	
	2 3/4	7 3/4	2 3/8	5 63/64	29/32	7/8	1 29/64	3 7/32	3.063	1.331	3/4	UCFX14-44	FX14	UCX14-44	7.0	-	-	-	-						
2 3/4	197	60	152	23	22	37	81.5	77.8	33.3	M20	UCFX14		UCX14	7.0	UCFX14C	UCFX14D	86.5	3 13/32	7.0	-	-	-			
2 3/4	8 29/32	2 13/32	7 1/64	63/64	31/32	1 27/64	3 3/16	3.071	1.299	7/8	UCF314-44	F314	UC314-44	10.1	-	-	-	-	-						
-	226	61	178	25	25	36	81	78	33	M22	UCF314		UC314	10.1	-	-	-	-							
75 2 15/16 3 2 15/16	7 7/8	2 7/32	6 17/64	3/4	7/8	1 11/32	3 3/32	3.063	1.311	5/8	UCF215-47	F215	UC215-47	6.4	-	-	-	-	-						
	200	56	159	19	22	34	78.5	77.8	33.3	M16	UCF215		UC215	6.4	UCF215C	UCF215D	83.5	3 9/32	6.4	UCF215FC	UCF215FD	96	3 29/32	7.4	
	2 15/16	7 3/4	2 11/16	5 63/64	29/32	15/16	1 9/16	3 17/32	3.252	1.311	3/4	UCFX15-47	FX15	UCX15-47	8.4	-	-	-	-						
3	197	68	152	23	24	40	89.3	82.6	33.3	M20	UCFX15		UCX15	8.4	UCFX15C	UCFX15D	94.5	3 23/32	8.4	-	-	-			
3	3	3	3	3	3	3	3	3	3	3	UCFX15-48		UCX15-48	8.4	-	-	-	-							

Remarks 1. In Part No. of unit and units with covers, fitting codes follow bore diameter numbers. (See Table 2.5 in P.11.)
 2. Part No. of applicable grease nipples are shown below.
 A-1/4-28UNF..... 201-210, X05-X09, 305-308
 A-R1/8..... 211-218, X10-X20, 309-328

3. As for the triple-lip seal type product (from 201 to 205 are the double-lip seal type products), supplementary code L3 (L2) follows the Part No. of unit or bearing. (Example of Part No. : UCF206JL3, UC206L3)
 4. For the dimensions and forms of applicable bearings, see the dimensional tables of ball bearing for unit.
 5. Housings of spheroidal graphite iron casting are also available.

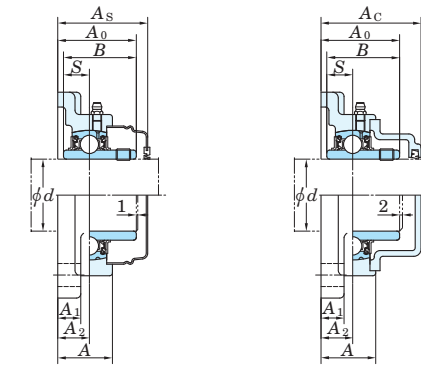
Square-flanged type

UCF
Cylindrical bore (with set screws)
d (75) ~ 140 mm



With Pressed Steel Cover

With Cast Iron Cover



Variations of tolerance of distance from mounting surface to center of spherical bore (ΔA_{2s}) and tolerance of position of bolt hole (X)

Housing No.			ΔA_{2s}	X
F204-F210	FX05-FX10	F305-F310	± 0.5	0.7
F211-F218	FX11-FX20	F311-F328	± 0.8	1

Unit: mm

Variations of tolerance of bolt hole diameter (ΔN_s)

Housing No.			ΔN_s
F204-F218	FX05-FX18	F305-F315	± 0.2
FX20	F316-F328		± 0.3

Unit: mm

Shaft Dia. mm inch d	Dimensions inch mm										Bolt Size inch mm	Standard			Mass kg	Basic Load Ratings kN		Fatigue Load Limit kN C_u	Factor f_0	With Pressed Steel Cover				With Cast Iron Cover						
	L	A	J	N	A ₁	A ₂	A ₀	B	S	Unit No.		Housing No.	Bearing No.	C _r		C _{0r}	Unit No. Open End Type Closed End Type			Dimension mm inch A _s	Mass kg	Unit No. Open End Type Closed End Type	Dimension mm inch A _c	Mass kg						
75 3	2 15/16	9 9/32	2 19/32	7 1/4	63/64	31/32	1 17/32	3 1/2	3.228	1.260	7/8	UCF315-47 UCF315 UCF315-48	F315	UC315-47 UC315 UC315-48	11.6 11.6 11.6	113 77.2	3.24	13.2	-	-	-	-	-	-	-	-	-	-	-	-
	80	3 1/8	8 3/16	2 9/32	6 1/2	29/32	7/8	1 11/32	3 9/32	3.252	1.311	3/4	UCF216-50 UCF216	F216	UC216-50 UC216	7.3 7.3	72.7 53.0	2.30	14.6	UCF216C	UCF216D	88.5	3 15/32	7.3	UCF216FC	UCF216FD	103	4 1/16	8.5	
		-	8 7/16	2 3/4	6 47/64	29/32	15/16	1 9/16	3 19/32	3.374	1.343	3/4	UCFX16	FX16	UCX16	9.4	84.0 61.9	2.60	14.5	UCFX16C	UCFX16D	96.5	3 19/16	9.4	-	-	-	-	-	-
85	3 1/4	8 21/32	2 15/32	6 57/64	29/32	15/16	1 13/32	3 7/16	3.374	1.343	3/4	UCF217-52 UCF217	F217	UC217-52 UC217	8.9 8.9	84.0 61.9	2.60	14.5	UCF217C	UCF217D	92.5	3 21/32	8.9	UCF217FC	UCF217FD	107	4 7/32	10.3		
	3 7/16	8 7/16	2 3/4	6 47/64	29/32	15/16	1 9/16	3 25/32	3.780	1.563	3/4	UCFX17 UCFX17-55	FX17	UCX17 UCX17-55	10.8 10.8	96.1 71.5	2.91	14.5	UCFX17C	UCFX17D	101.5	4	10.8	-	-	-	-	-	-	
	-	10 1/4	2 29/32	8 1/32	1 7/32	1 1/16	1 47/64	3 15/16	3.780	1.575	1	UCF317	F317	UC317	15.3	133 96.8	3.82	13.3	-	-	-	-	-	UCF317C	UCF317D	117	4 19/32	16.9		
90	3 1/2	9 1/4	2 11/16	7 23/64	29/32	31/32	1 9/16	3 25/32	3.780	1.563	3/4	UCF218-56 UCF218	F218	UC218-56 UC218	11.4 11.4	96.1 71.5	2.91	14.5	UCF218C	UCF218D	101.5	4	11.4	UCF218FC	UCF218FD	116	4 9/16	12.9		
	-	8 7/16	3	6 47/64	29/32	15/16	1 49/64	4 3/16	4.094	1.689	3/4	UCFX18	FX18	UCX18	11.9	109 81.9	3.23	14.4	-	-	-	-	-	UCFX18C	UCFX18D	124	4 7/8	13.6		
	3 1/2	11 1/32	3	8 1/2	1 3/8	1 3/16	1 47/64	3 15/16	3.780	1.575	1 1/8	UCF318-56 UCF318	F318	UC318-56 UC318	18.9 18.9	143 107	4.11	13.3	-	-	-	-	-	UCF318C	UCF318D	119	4 11/16	20.8		
95	-	11 13/32	3 11/16	8 31/32	1 3/8	1 3/16	2 21/64	4 3/4	4.055	1.614	1 1/8	UCF319	F319	UC319	21.6	153 119	4.45	13.3	-	-	-	-	-	UCF319C	UCF319D	140	5 1/2	23.8		
	3 15/16 4	10 9/16	3 13/16	8 5/16	1 7/32	1 3/32	2 21/64	5	4.626	1.937	1	UCFX20 UCFX20-63 UCFX20-64	FX20	UCX20 UCX20-63 UCX20-64	19.4 19.4 19.4	133 105	3.91	14.4	-	-	-	-	-	UCFX20C	UCFX20D	152	5 31/32	21.6		
100	3 15/16 4	12 7/32	3 11/16	9 17/32	1 1/2	1 1/4	2 21/64	4 29/32	4.252	1.654	1 1/4	UCF320 UCF320-63 UCF320-64	F320	UC320 UC320-63 UC320-64	25.8 25.8 25.8	173 141	5.08	13.2	-	-	-	-	-	UCF320C	UCF320D	146	5 3/4	28.6		
	105	-	12 7/32	3 11/16	9 17/32	1 1/2	1 1/4	2 21/64	5	4.409	1.732	1 1/4	UCF321	F321	UC321	30.2	184 153	5.41	13.2	-	-	-	-	-	UCF321C	UCF321D	148	5 13/16	33.2	
110	-	13 3/8	3 25/32	10 15/32	1 39/64	1 3/8	2 23/64	5 9/32	4.606	1.811	1 3/8	UCF322	F322	UC322	35.3	205 180	6.15	13.2	-	-	-	-	-	UCF322C	UCF322D	154	6 1/16	41.7		
	120	-	14 9/16	4 11/32	11 27/64	1 39/64	1 9/16	2 9/16	5 1/2	4.961	2.008	1 3/8	UCF324	F324	UC324	47.3	207 185	6.10	13.5	-	-	-	-	-	UCF324C	UCF324D	163	6 13/32	52.1	
130	-	16 5/32	4 17/32	12 19/32	1 39/64	1 25/32	2 9/16	5 3/4	5.315	2.126	1 3/8	UCF326	F326	UC326	65.5	229 214	6.79	13.6	-	-	-	-	-	UCF326C	UCF326D	172	6 25/32	71.6		
	140	-	17 23/32	4 29/32	13 25/32	1 39/64	2 5/32	2 61/64	6 11/32	5.709	2.323	1 3/8	UCF328	F328	UC328	80.4	253 246	7.54	13.6	-	-	-	-	-	UCF328C	UCF328D	186	7 5/16	89	

Remarks 1. In Part No. of unit and units with covers, fitting codes follow bore diameter numbers. (See Table 2.5 in P.11.)

2. Part No. of applicable grease nipples are shown below.

A-1/4-28UNF 201-210, X05-X09, 305-308

A-R1/8 211-218, X10-X20, 309-328

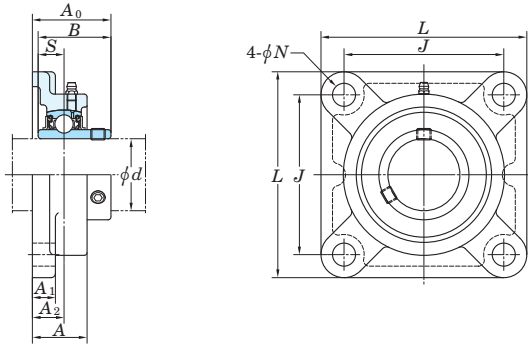
3. As for the triple-lip seal type product (from 201 to 205 are the double-lip seal type products), supplementary code L3 (L2) follows the Part No. of unit or bearing. (Example of Part No. : UCF206JL3, UC206L3)

4. For the dimensions and forms of applicable bearings, see the dimensional tables of ball bearing for unit.

5. Housings of spheroidal graphite iron casting are also available.

Square-flanged type

UCF-E
Cylindrical bore (with set screws)
d 12 ~ 55 mm



Variations of tolerance of distance from mounting surface to center of spherical bore (ΔA_{2s}) and tolerance of position of bolt hole (X)

Housing No.		ΔA_{2s}	X
F204E-F210E	FX05E-FX10E	± 0.5	0.7
F211E-F217E	FX11E-FX17E	± 0.8	1

Variations of tolerance of bolt hole diameter (ΔN_s)

Housing No.		ΔN_s
F204E-F217E	FX05E-FX17E	± 0.2

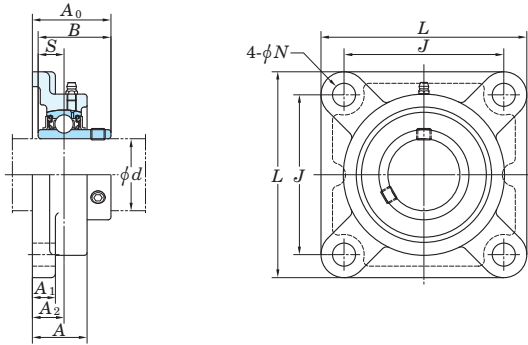
Shaft Dia. mm inch d	Dimensions inch mm										Bolt Size inch	Unit No.	Housing No.	Bearing No.	Basic Load Ratings kN		Fatigue Load Limit kN C_u	Factor f_0	Mass kg	
	L	A	J	N	A ₁	A ₂	A ₀	B	S	C _r					C _{0r}					
12 1/2												UCF201E UCF201-8E UCF202E UCF202-10E UCF203E UCF204-12E UCF204E	F204E	UC201 UC201-8 UC202 UC202-10 UC203 UC204-12 UC204	12.8	6.65	0.302	13.2	0.64 0.62 0.61 0.59	
15 5/8	3 3/8 86	1 25.5	2 33/64 64	7/16 11	7/16 11	19/32 15	1 5/16 33.3	1.220 31	0.500 12.7		3/8	UCF205-14E UCF205-15E UCF205E UCF205-16E	F205E	UC205-14 UC205-15 UC205 UC205-16	14.0	7.85	0.357	13.9	0.83	
17 3/4												UCFX05E UCFX05-16E	FX05E	UCX05 UCX05-16	19.5	11.3	0.514	13.9	1.2	
20												UCF206-18E UCF206E UCF206-19E UCF206-20E	F206E	UC206-18 UC206 UC206-19 UC206-20	19.5	11.3	0.514	13.9	1.1	
25 7/8 15/16	3 3/4 95	1 1/16 27	2 3/4 70	15/32 12	1/2 13	5/8 16	1 13/32 35.8	1.343 34.1	0.563 14.3		3/8	UCFX06E UCFX06-19E UCFX06-20E	FX06E	UCX06 UCX06-19 UCX06-20	25.7	15.4	0.700	13.9	1.6	
25 1	4 1/4 108	1 3/16 30	3 17/64 83	15/32 12	1/2 13	45/64 18	1 19/32 40.2	1.500 38.1	0.626 15.9		3/8	UCF207-20E UCF207-21E UCF207-22E UCF207E UCF207-23E	F207E	UC207-20 UC207-21 UC207-22 UC207 UC207-23	25.7	15.4	0.700	13.9	1.5	
30 1 1/8 1 3/16 1 1/4	4 1/4 108	1 7/32 31	3 17/64 83	33/64 13	1/2 13	45/64 18	1 19/32 40.2	1.500 38.1	0.626 15.9		7/16	UCFX07E UCFX07-22E UCFX07E UCFX07-23E	FX07E	UCX07 UCX07-22 UCX07 UCX07-23	29.1	17.8	0.809	14.0	2.0	
30 1 3/16 1 1/4	4 19/32 117	1 11/32 34	3 5/8 92	33/64 13	9/16 14	3/4 19	1 3/4 44.4	1.689 42.9	0.689 17.5		7/16	UCF208-24E UCF208-25E UCF208E	F208E	UC208-24 UC208-25 UC208	29.1	17.8	0.809	14.0	1.9	
35 1 1/4 1 5/16 1 3/8	4 19/32 117	1 11/32 34	3 5/8 92	33/64 13	19/32 15	3/4 19	1 3/4 44.4	1.689 42.9	0.689 17.5		7/16	UCFX08E UCFX08-24E UCFX08E	FX08E	UCX08 UCX08-24 UCX08	34.1	21.3	0.968	14.0	2.4	
35 1 7/16 1 3/8 1 7/16	5 1/8 130	1 1/2 38	4 1/64 102	33/64 13	9/16 14	53/64 21	2 1/32 51.2	1.937 49.2	0.748 19		7/16	UCFX09-28E UCFX09E	FX09E	UCX09-28 UCX09	35.1	23.3	1.06	14.4	2.7	
40 1 1/2 1 9/16	5 1/8 130	1 13/32 36	4 1/64 102	35/64 14	19/32 15	53/64 21	2 1/32 51.2	1.937 49.2	0.748 19		1/2	UCFX10-31E UCFX10E UCFX10-32E	FX10E	UCX10-31 UCX10 UCX10-32	43.4	29.4	1.34	14.4	3.7	
40 1 1/2	5 13/32 137	1 9/16 40	4 9/64 105	19/32 15	9/16 14	55/64 22	2 1/16 52.2	1.937 49.2	0.748 19		1/2	UCF211-32E UCF211-34E UCF211E UCF211-35E	F211E	UC211-32 UC211-34 UC211 UC211-35	43.4	29.4	1.34	14.4	3.4	
45 1 3/4	5 5/8 143	1 9/16 40	4 3/8 111	19/32 15	9/16 14	29/32 23	2 3/16 55.6	2.031 51.6	0.748 19		1/2	UCFX11E UCFX11-35E UCFX11-36E	FX11E	UCX11 UCX11-35 UCX11-36	52.4	36.2	1.65	14.4	4.9	
50 1 15/16 2	6 3/8 162	1 23/32 44	5 1/8 130	21/32 16.5	25/32 20	1 1/32 26	2 11/32 59.4	2.189 55.6	0.874 22.2		9/16									
50 2	6 3/8 162	1 11/16 43	5 1/8 130	43/64 17	23/32 18	63/64 25	2 5/16 58.4	2.189 55.6	0.874 22.2		5/8									
55 2 3/16 2 1/4	6 7/8 175	1 15/16 49	5 5/8 143	21/32 16.5	25/32 20	1 9/64 29	2 23/32 68.7	2.563 65.1	1.000 25.4		9/16									

Remarks 1. In Part No. of unit, fitting codes follow bore diameter numbers. (See Table 2.5 in P.11.)
2. Part No. of applicable grease nipples are shown below.
A-1/4-28UNF 201~210, X05~X09
A-R1/8 211~217, X10~X17

3. As for the triple-lip seal type product (from 201 to 205 are the double-lip seal type products), supplementary code L3 (L2) follows the Part No. of unit or bearing. (Example of Part No. : UCF206EJL3, UC206L3)
4. For the dimensions and forms of applicable bearings, see the dimensional tables of ball bearing for unit.
5. Housings of spheroidal graphite iron casting are also available.

Square-flanged type

UCF-E
Cylindrical bore (with set screws)
 d 60 ~ 85 mm



Variations of tolerance of distance from mounting surface to center of spherical bore (ΔA_{2s}) and tolerance of position of bolt hole (X)

Housing No.		ΔA_{2s}	X
F204E-F210E	FX05E-FX10E	± 0.5	0.7
F211E-F217E	FX11E-FX17E	± 0.8	1

Unit: mm

Variations of tolerance of bolt hole diameter (ΔN_s)

Housing No.		ΔN_s
F204E-F217E	FX05E-FX17E	± 0.2

Unit: mm

Shaft Dia. mm inch d	Dimensions inch mm										Bolt Size inch	Unit No.	Housing No.	Bearing No.	Basic Load Ratings kN		Fatigue Load Limit kN C_u	Factor f_0	Mass kg
	L	A	J	N	A_1	A_2	A_0	B	S	C_r					C_{or}				
60 2 1/4 2 3/8 2 7/16	6 7/8	1 7/8	5 5/8	43/64	23/32	1 9/64	2 23/32	2.563	1.000		5/8	UCF212-36E UCF212E UCF212-38E UCF212-39E	F212E	UC212-36 UC212 UC212-38 UC212-39	52.4	36.2	1.65	14.4	4.2
	175	48	143	17	18	29	68.7	65.1	25.4										
	7 3/8	2 5/16	5 55/64	21/32	13/16	1 11/32	2 29/32	2.563	1.000		9/16	UCFX12E UCFX12-39E	FX12E	UCX12 UCX12-39	57.2	40.1	1.82	14.4	5.7
	187	59	149	16.5	21	34	73.7	65.1	25.4										
65 2 1/2 2 1/2	7 3/8	1 31/32	5 55/64	43/64	7/8	1 3/16	2 3/4	2.563	1.000		5/8	UCF213-40E UCF213E	F213E	UC213-40 UC213	57.2	40.1	1.82	14.4	5.2
	187	50	149	17	22	30	69.7	65.1	25.4										
	7 3/8	1 31/32	5 55/64	21/32	13/16	1 11/32	3 3/32	2.937	1.189		9/16	UCFX13-40E UCFX13E	FX13E	UCX13-40 UCX13	62.2	44.1	2.01	14.5	6.3
187	59	149	16.5	21	34	78.4	74.6	30.2											
70 2 3/4	7 3/4	2 3/8	5 63/64	25/32	7/8	1 29/64	3 7/32	3.063	1.331		11/16	UCFX14-44E UCFX14E	FX14E	UCX14-44 UCX14	67.4	48.3	2.17	14.5	7.0
	197	60	152	20	22	37	81.5	77.8	33.3										
75 2 15/16 3	7 3/4	2 11/16	5 63/64	25/32	15/16	1 9/16	3 17/32	3.252	1.311		11/16	UCFX15-47E UCFX15E UCFX15-48E	FX15E	UCX15-47 UCX15 UCX15-48	72.7	53.0	2.30	14.6	8.4
	197	68	152	20	24	40	89.3	82.6	33.3										
	8 3/16	2 9/32	6 1/2	3/4	7/8	1 11/32	3 9/32	3.252	1.311		11/16				UCF216-50E UCF216E	F216E			
208	58	165	19	22	34	83.3	82.6	33.3											
80 3 1/8 —	8 7/16	2 3/4	6 47/64	25/32	15/16	1 9/16	3 19/32	3.374	1.343		11/16	UCFX16E	FX16E	UCX16	84.0	61.9	2.60	14.5	9.4
	214	70	171	20	24	40	91.6	85.7	34.1										
	8 21/32	2 15/32	6 57/64	3/4	15/16	1 13/32	3 7/16	3.374	1.343		11/16				UCF217-52E UCF217E	F217E			
220	63	175	19	24	36	87.6	85.7	34.1											
85 3 1/4 3 7/16	8 7/16	2 3/4	6 47/64	25/32	15/16	1 9/16	3 25/32	3.780	1.563		11/16	UCFX17E UCFX17-55E	FX17E	UCX17 UCX17-55	96.1	71.5	2.91	14.5	10.8
	214	70	171	20	24	40	96.3	96	39.7										

Remarks 1. In Part No. of unit, fitting codes follow bore diameter numbers. (See Table 2.5 in P.11.)

2. Part No. of applicable grease nipples are shown below.

A-1/4-28UNF 201~210, X05~X09

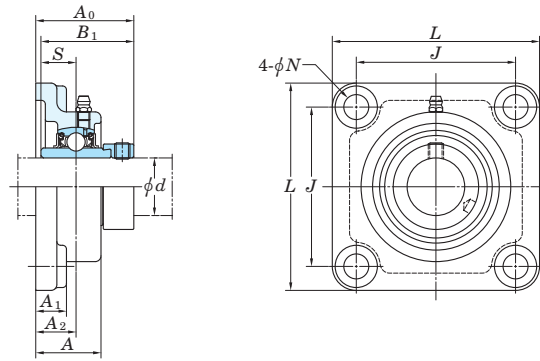
A-R1/8 211~217, X10~X17

3. As for the triple-lip seal type product (from 201 to 205 are the double-lip seal type products), supplementary code L3 (L2) follows the Part No. of unit or bearing. (Example of Part No. : UCF206EJL3, UC206L3)

4. For the dimensions and forms of applicable bearings, see the dimensional tables of ball bearing for unit.

5. Housings of spheroidal graphite iron casting are also available.

NANF
Cylindrical bore
(with eccentric locking collar)
d 12 ~ 60 mm



Variations of tolerance of distance from mounting surface to center of spherical bore (ΔA_{2s}) and tolerance of position of bolt hole (*X*)

Housing No.	ΔA_{2s}	<i>X</i>
NF204-NF210	± 0.5	0.7
NF211-NF212	± 0.8	1

Variations of tolerance of bolt hole diameter (ΔN_s)

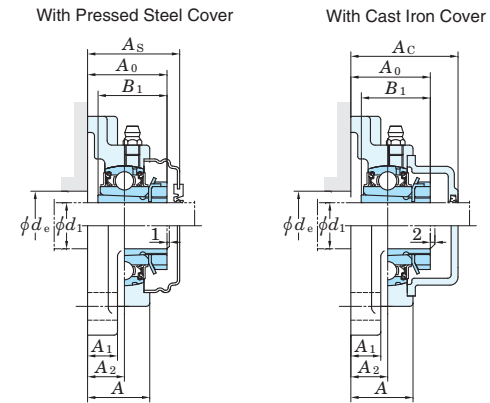
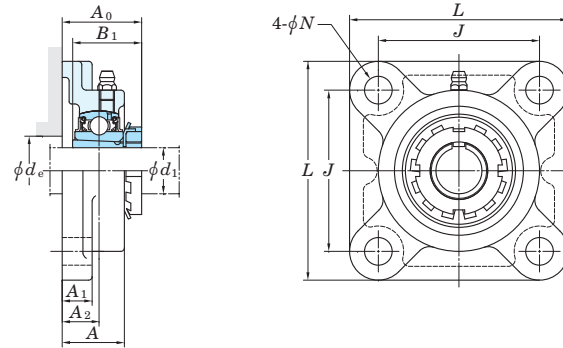
Housing No.	ΔN_s
NF204-NF212	± 0.2

Shaft Dia mm inch <i>d</i>	Dimensions inch mm										Bolt Size inch	Unit No.	Housing No.	Bearing No.	Basic Load Ratings kN		Fatigue Load Limit kN <i>C_u</i>	Factor <i>f₀</i>	Mass kg
	<i>L</i>	<i>A</i>	<i>J</i>	<i>N</i>	<i>A₁</i>	<i>A₂</i>	<i>A₀</i>	<i>B₁</i>	<i>S</i>	<i>C_r</i>					<i>C_{0r}</i>				
12 1/2												NANF201 NANF201-8 NANF202 NANF202-10 NANF203 NANF204-12 NANF204	NF204	NA201 NA201-8 NA202 NA202-10 NA203 NA204-12 NA204	12.8	6.65	0.302	13.2	0.73
15 5/8	3 3/8	1 5/32	2 33/64	7/16	19/32	3/4	1 25/32	1.720	0.673		3/8								
17 3/4	86	29.5	64	11	15	19	45.6	43.7	17.1										
20												NANF205-14 NANF205-15 NANF205 NANF205-16	NF205	NA205-14 NA205-15 NA205 NA205-16	14.0	7.85	0.357	13.9	0.95
25 7/8 15/16	3 3/4	1 7/32	2 3/4	15/32	19/32	25/32	1 27/32	1.748	0.689		7/16								
25 1	95	31	70	12	15	20	46.9	44.4	17.5										
30 1 1/8	4 1/4	1 11/32	3 17/64	33/64	5/8	53/64	2	1.906	0.720		7/16								
30 1 3/16	108	34	83	13	16	21	51.1	48.4	18.3										
30 1 1/4												NANF206-18 NANF206 NANF206-19 NANF206-20	NF206	NA206-18 NA206 NA206-19 NA206-20	19.5	11.3	0.514	13.9	1.4
35 1 1/4												NANF207-20 NANF207-21 NANF207-22 NANF207 NANF207-23	NF207	NA207-20 NA207-21 NA207-22 NA207 NA207-23	25.7	15.4	0.700	13.9	1.8
35 1 5/16	4 19/32	1 7/16	3 5/8	33/64	21/32	27/32	2 1/8	2.012	0.740		7/16								
35 1 3/8	117	36.5	92	13	17	21.5	53.8	51.1	18.8										
35 1 7/16												NANF208-24 NANF208-25 NANF208	NF208	NA208-24 NA208-25 NA208	29.1	17.8	0.809	14.0	2.2
40 1 1/2	5 1/8	1 17/32	4 1/64	35/64	21/32	15/16	2 5/16	2.217	0.843		1/2								
40 1 9/16	130	39	102	14	17	24	58.9	56.3	21.4										
45 1 5/8												NANF209-26 NANF209-27 NANF209-28 NANF209	NF209	NA209-26 NA209-27 NA209-28 NA209	34.1	21.3	0.968	14.0	2.6
45 1 11/16	5 13/32	1 9/16	4 9/64	5/8	23/32	15/16	2 5/16	2.217	0.843		9/16								
45 1 3/4	137	40	105	16	18	24	58.9	56.3	21.4										
50 1 7/8												NANF210-30 NANF210-31 NANF210 NANF210-32	NF210	NA210-30 NA210-31 NA210 NA210-32	35.1	23.3	1.06	14.4	3.0
50 1 15/16	5 5/8	1 27/32	4 3/8	43/64	25/32	1 1/8	2 5/8	2.469	0.969		9/16								
50 2	143	46.5	111	17	20	28.5	66.6	62.7	24.6										
55 2												NANF211-32 NANF211-34 NANF211 NANF211-35	NF211	NA211-32 NA211-34 NA211 NA211-35	43.4	29.4	1.34	14.4	4.1
55 2 1/8	6 3/8	1 31/32	5 1/8	43/64	13/16	1 17/64	2 31/32	2.811	1.094		5/8								
55 2 3/16	162	50	130	17	21	32	75.6	71.4	27.8										
55 2 1/4												NANF212-36 NANF212 NANF212-38 NANF212-39	NF212	NA212-36 NA212 NA212-38 NA212-39	52.4	36.2	1.65	14.4	4.9
60 2 3/8	6 7/8	2 5/32	5 5/8	43/64	13/16	1 27/64	3 1/4	3.063	1.220		5/8								
60 2 7/16	175	55	143	17	21	36	82.8	77.8	31										

Remarks 1. In Part No. of unit and units with covers, fitting codes follow bore diameter numbers. (See Table 2.5 in P.11.)
2. Part No. of applicable grease nipples are shown below.
A-1/4-28UNF 201~210
A-R1/8 211~212

3. For the dimensions and forms of applicable bearings, see the dimensional tables of ball bearing for unit.
4. Housings of spheroidal graphite iron casting are also available.

UKF
Tapered bore (with adapter)
 d_1 20 ~ (50) mm



Variations of tolerance of distance from mounting surface to center of spherical bore (ΔA_{2s}) and tolerance of position of bolt hole (X)

Housing No.			ΔA_{2s}	X
F205-F210	FX05-FX10	F305-F310	± 0.5	0.7
F211-F218	FX11-FX20	F311-F328	± 0.8	1

Unit: mm

Variations of tolerance of bolt hole diameter (ΔN_s)

Housing No.			ΔN_s
F205-F218	FX05-FX18	F305-F315	± 0.2
	FX20	F316-F328	± 0.3

Unit: mm

Shaft Dia. mm inch	Dimensions inch mm										Bolt Size inch mm	Standard			Basic Load Ratings kN	Fatigue Load Limit kN	Factor f_0	With Pressed Steel Cover			With Cast Iron Cover								
	d_1	L	A	J	N	A ₁	A ₂	A ₀	B ₁	d_e (min.)		Unit No.	Housing No.	Bearing No.				Adapter Assembly No.	Mass kg	C _r	C _{0r}	C _u	Open End Type	Closed End Type	Dimension mm inch	Mass kg	Open End Type	Closed End Type	Dimension mm inch
20	3/4	3 3/4	1 1/16	2 3/4	15/32	1/2	5/8	1 13/32	1 3/8	1 3/16	3/8	UKF205	F205	UK205	HE2305X H2305X	0.87 0.87	14.0	7.85	0.357	13.9	-	-	-	-	-	-	-	-	
	3/4	4 1/4	1 3/16	3 17/64	15/32	1/2	45/64	1 9/16	1 3/8	1 3/16	3/8	UKFX05	FX05	UKX05	HE2305X H2305X	1.2 1.2	19.5	11.3	0.514	13.9	UKF205C	UKF205D	40.5 1 19/32	0.87	UKF205FC	UKF205FD	49 1 15/16	1.1	
	3/4	4 11/32	1 5/32	3 5/32	5/8	1/2	5/8	1 5/32	1 3/8	-	1/2	UKF305	F305	UK305	HE2305X H2305X	1.4 1.4	21.2	10.9	0.495	12.6	-	-	-	-	-	-	-	-	-
25	1	4 1/4	1 7/32	3 17/64	15/32	1/2	45/64	1 9/16	1 1/2	1 13/32	3/8	UKF206	F206	UK206	H2306X HE2306X	1.3 1.3	19.5	11.3	0.514	13.9	UKF206C	UKF206D	44.5 1 3/4	1.3	UKF206FC	UKF206FD	53 2 3/32	1.6	
	1	4 19/32	1 11/32	3 5/8	5/8	9/16	3/4	1 21/32	1 1/2	1 13/32	1/2	UKFX06	FX06	UKX06	H2306X HE2306X	1.6 1.6	25.7	15.4	0.700	13.9	UKFX06C	UKFX06D	49 1 15/16	1.6	-	-	-	-	-
	1	4 29/32	1 1/4	3 47/64	5/8	19/32	45/64	1 5/8	1 1/2	-	1/2	UKF306	F306	UK306	H2306X HE2306X	1.9 1.9	26.7	15.0	0.682	13.3	-	-	-	-	-	-	-	-	-
30	1 1/8	4 19/32	1 11/32	3 5/8	35/64	19/32	3/4	1 11/16	1 11/16	1 5/8	7/16	UKF207	F207	UK207	HS2307X H2307X	1.6 1.6	25.7	15.4	0.700	13.9	UKF207C	UKF207D	49 1 15/16	1.6	UKF207FC	UKF207FD	58 2 9/32	2.0	
	1 1/8	5 1/8	1 1/2	4 1/64	5/8	9/16	53/64	1 27/32	1 11/16	1 5/8	1/2	UKFX07	FX07	UKX07	HS2307X H2307X	2.0 2.0	29.1	17.8	0.809	14.0	UKFX07C	UKFX07D	55.5 2 3/16	2.0	-	-	-	-	-
	1 1/8	5 5/16	1 13/32	3 15/16	3/4	5/8	25/32	1 25/32	1 11/16	-	5/8	UKF307	F307	UK307	HS2307X H2307X	2.3 2.3	33.4	19.3	0.877	13.2	-	-	-	-	-	-	-	-	-
35	1 1/4	5 1/8	1 13/32	4 1/64	5/8	19/32	53/64	1 7/8	1 13/16	1 13/16	1/2	UKF208	F208	UK208	HE2308X HS2308X H2308X	1.9 1.9 1.9	29.1	17.8	0.809	14.0	UKF208C	UKF208D	55.5 2 3/16	1.9	UKF208FC	UKF208FD	64 2 17/32	2.3	
	1 1/4	5 13/32	1 9/16	4 9/64	3/4	9/16	55/64	1 31/32	1 13/16	1 13/16	5/8	UKFX08	FX08	UKX08	HE2308X HS2308X H2308X	2.3 2.3 2.3	34.1	21.3	0.968	14.0	UKFX08C	UKFX08D	56.5 2 7/32	2.3	-	-	-	-	-
	1 3/8	5 29/32	1 9/16	4 13/32	3/4	21/32	29/32	2	1 13/16	-	5/8	UKF308	F308	UK308	HE2308X HS2308X H2308X	3.1 3.1 3.1	40.7	24.0	1.09	13.2	-	-	-	-	-	-	-	-	-
40	1 1/2	5 13/32	1 1/2	4 9/64	5/8	5/8	55/64	2	1 31/32	2 1/16	1/2	UKF209	F209	UK209	HE2309X H2309X	2.3 2.3	34.1	21.3	0.968	14.0	UKF209C	UKF209D	56.5 2 7/32	2.3	UKF209FC	UKF209FD	66 2 19/32	2.8	
	1 1/2	5 5/8	1 9/16	4 3/8	3/4	9/16	29/32	2 1/16	1 31/32	2 1/16	5/8	UKFX09	FX09	UKX09	HE2309X H2309X	2.7 2.7	35.1	23.3	1.06	14.4	UKFX09C	UKFX09D	60 2 3/8	2.7	-	-	-	-	-
	1 1/2	6 5/16	1 23/32	4 59/64	3/4	23/32	63/64	2 5/32	1 31/32	-	5/8	UKF309	F309	UK309	HE2309X H2309X	4.1 4.1	48.9	29.5	1.34	13.3	-	-	-	-	-	-	-	-	
45	1 3/4	5 5/8	1 9/16	4 3/8	5/8	5/8	55/64	2 1/16	2 5/32	2 9/32	1/2	UKF210	F210	UK210	HE2310X H2310X	2.6 2.6	35.1	23.3	1.06	14.4	UKF210C	UKF210D	59 2 5/16	2.6	UKF210FC	UKF210FD	70.5 2 25/32	3.1	
	1 3/4	6 3/8	1 23/32	5 1/8	3/4	25/32	1 1/32	2 9/32	2 5/32	2 9/32	5/8	UKFX10	FX10	UKX10	HE2310X H2310X	3.6 3.6	43.4	29.4	1.34	14.4	UKFX10C	UKFX10D	64 2 17/32	3.6	-	-	-	-	-
	1 3/4	6 7/8	1 7/8	5 13/64	29/32	3/4	1 7/64	2 3/8	2 5/32	-	3/4	UKF310	F310	UK310	HE2310X H2310X	5.1 5.1	62.0	38.3	1.74	13.2	-	-	-	-	-	-	-	-	
50	1 7/8	6 3/8	1 11/16	5 1/8	3/4	23/32	63/64	2 1/4	2 5/16	2 17/32	5/8	UKF211	F211	UK211	HS2311X H2311X HE2311X	3.5 3.5 3.5	43.4	29.4	1.34	14.4	UKF211C	UKF211D	63 2 15/32	3.5	UKF211FC	UKF211FD	74.5 2 15/16	4.1	
	2	6 7/8	1 15/16	5 5/8	3/4	25/32	1 9/64	2 17/32	2 5/16	2 17/32	5/8	UKFX11	FX11	UKX11	HS2311X H2311X HE2311X	4.6 4.6 4.6	52.4	36.2	1.65	14.4	UKFX11C	UKFX11D	73.5 2 29/32	4.6	-	-	-	-	-
	2	175	49	143	19	20	29	64.5	59	64	M16																		

Remarks 1. In Part No. of unit and units with covers, fitting codes follow bore diameter numbers. (See Table 2.5 in P.11.)

2. Part No. of applicable grease nipples are shown below.

A-1/4-28UNF..... 205-210, X05-X09, 305-308

A-R1/8..... 211-218, X10-X20, 309-328

3. In Part No. of unit with adapters and bearing with adapters, Part No. of applicable adapter follow the Part No. shown in the dimensional tables.

(Example of Part No. : UKF206J + H2306X, UK206 + H2306X)

4. As for the triple-lip seal type product (205 is the double-lip seal type product), supplementary code L3 (L2) follows the Part No. of unit or bearing.

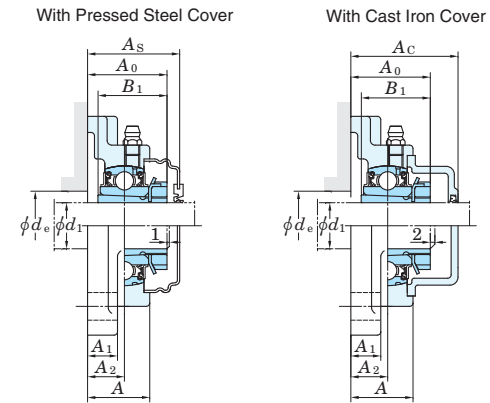
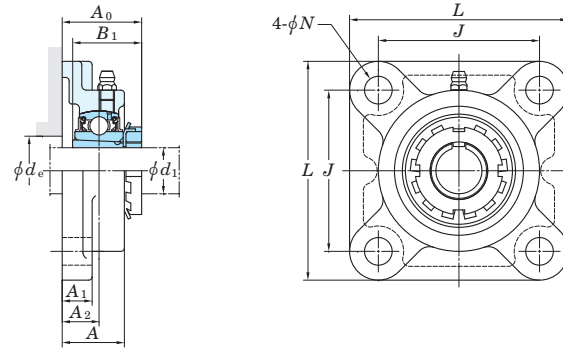
(Example of Part No. : UKF206JL3 + H2306X, UK206L3 + H2306X)

5. For the dimensions and forms of applicable bearings and adapters, see the dimensional tables of ball bearing for unit and adapter assemblies.

6. Housings of spheroidal graphite iron casting are also available.

Square-flanged type

UKF
Tapered bore (with adapter)
d₁ (50) ~ (90) mm



Variations of tolerance of distance from mounting surface to center of spherical bore (ΔA_{2s}) and tolerance of position of bolt hole (X)

Housing No.			ΔA_{2s}	X
F205-F210	FX05-FX10	F305-F310	± 0.5	0.7
F211-F218	FX11-FX20	F311-F328	± 0.8	1

Unit: mm

Variations of tolerance of bolt hole diameter (ΔN_s)

Housing No.			ΔN_s
F205-F218	FX05-FX18	F305-F315	± 0.2
	FX20	F316-F328	± 0.3

Unit: mm

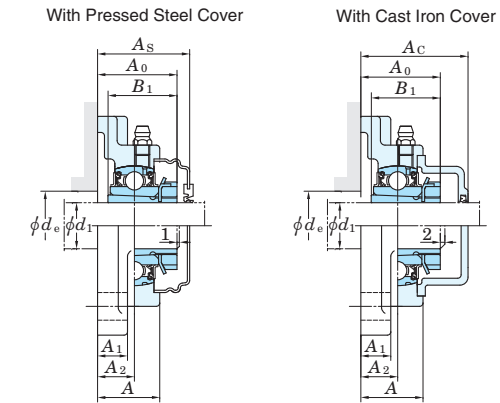
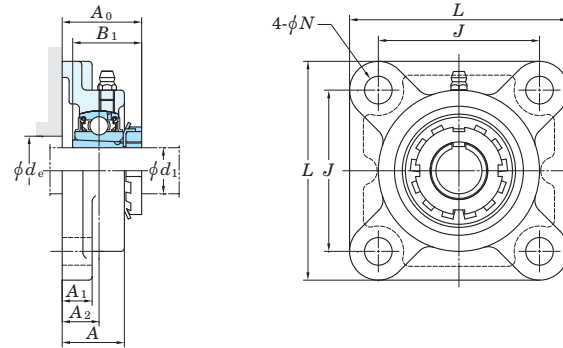
Shaft Dia. mm inch	Dimensions										Bolt Size inch mm	Standard			Adapter Assembly No.	Mass kg	Basic			Factor f_0	With Pressed Steel Cover				With Cast Iron Cover						
	d_1	L	A	J	N	A ₁	A ₂	A ₀	B ₁	d _e (min.)		Unit No.	Housing No.	Bearing No.			Load Ratings kN	Fatigue Load Limit kN	Open End Type		Closed End Type	Dimension mm inch	Mass kg	Open End Type	Closed End Type	Dimension mm inch	Mass kg				
50 1 7/8 2	7 9/32	2 1/16	5 33/64	29/32	25/32	1 3/16	2 17/32	2 5/16	-	-	3/4	UKF311	F311	UK311	-	-	-	-	-	-	-	-	-	-	-						
	185	52	140	23	20	30	64	59	-	-	M20																				
55 2 1/8 2 1/8 2 1/8	6 7/8	1 7/8	5 5/8	3/4	23/32	1 9/64	2 19/32	2 7/16	2 23/32	5/8	UKF212	F212	UK212	HS2312X	4.1	52.4	36.2	1.65	14.4	UKF212C	UKF212D	73.5	2 29/32	4.1	UKF212FC	UKF212FD	86	3 3/8	4.9		
	175	48	143	19	18	29	65.5	62	69	M16																					
	7 3/8	2 5/16	5 55/64	3/4	13/16	1 11/32	2 9/16	2 7/16	2 23/32	5/8	UKFX12	FX12	UKX12	HS2312X	5.5	57.2	40.1	1.82	14.4	UKFX12C	UKFX12D	78.5	3 3/32	5.5	-	-	-	-	-	-	
	187	59	149	19	21	34	65	62	69	M16																					
60 2 1/4 2 3/8 2 1/4 2 3/8	7 11/16	2 7/32	5 29/32	29/32	7/8	1 19/64	2 3/4	2 7/16	-	3/4	UKF312	F312	UK312	HS2312X	6.8	81.9	52.2	2.37	13.2	-	-	-	-	-	-	-	-	-	-	-	
	195	56	150	23	22	33	69.5	62	-	M20																					
	7 3/8	1 31/32	5 55/64	3/4	7/8	1 3/16	2 21/32	2 9/16	2 29/32	5/8	UKF213	F213	UK213	HE2313X	5.1	57.2	40.1	1.82	14.4	UKF213C	UKF213D	74.5	2 15/16	5.1	UKF213FC	UKF213FD	87	3 7/16	6.0		
	187	50	149	19	22	30	67.5	65	74	M16																					
65 2 1/2 2 1/2 2 1/2	7 3/8	2 5/16	5 55/64	3/4	13/16	1 11/32	2 11/16	2 9/16	2 29/32	5/8	UKFX13	FX13	UKX13	HE2313X	6.0	62.2	44.1	2.01	14.5	UKFX13C	UKFX13D	83.5	3 9/32	6.0	-	-	-	-	-	-	
	187	59	149	19	21	34	68	65	74	M16																					
	8 3/16	2 9/32	6 17/32	29/32	7/8	1 19/64	2 13/16	2 9/16	-	3/4	UKF313	F313	UK313	HE2313X	7.9	92.7	59.9	2.68	13.2	-	-	-	-	-	-	-	-	-	-	-	-
	208	58	166	23	22	33	71.5	65	-	M20																					
70 2 3/4 2 3/4 2 3/4	7 7/8	2 7/32	6 17/64	3/4	7/8	1 11/32	2 15/16	2 7/8	3 11/32	5/8	UKF215	F215	UK215	HE2315X	6.5	67.4	48.3	2.17	14.5	-	-	-	-	-	-	-	-	-	-	-	
	200	56	159	19	22	34	74.5	73	85	M16																					
	7 3/4	2 11/16	5 63/64	29/32	15/16	1 9/16	3	2 7/8	3 11/32	3/4	UKFX15	FX15	UKX15	HE2315X	8.1	72.7	53.0	2.30	14.6	UKFX15C	UKFX15D	94.5	3 23/32	8.1	-	-	-	-	-	-	
	197	68	152	23	24	40	76	73	85	M20																					
75 3 3 3	9 9/32	2 19/32	7 1/4	63/64	31/32	1 17/32	3 3/32	2 7/8	-	7/8	UKF315	F315	UK315	HE2315X	11.7	113	77.2	3.24	13.2	-	-	-	-	-	-	-	-	-	-	-	
	236	66	184	25	25	39	81.5	73	-	M22																					
	8 3/16	2 9/32	6 1/2	29/32	7/8	1 11/32	3 3/32	3 1/16	3 17/32	3/4	UKF216	F216	UK216	HE2316X	7.6	72.7	53.0	2.30	14.6	UKF216C	UKF216D	88.5	3 15/32	7.6	UKF216FC	UKF216FD	103	4 1/16	8.9		
	208	58	165	23	22	34	78.5	78	90	M20																					
80 - - -	8 7/16	2 3/4	6 47/64	29/32	15/16	1 9/16	3 1/8	3 1/16	3 17/32	3/4	UKFX16	FX16	UKX16	HE2316X	9.5	84.0	61.9	2.60	14.5	UKFX16C	UKFX16D	96.5	3 25/32	9.5	-	-	-	-	-	-	
	214	70	171	23	24	40	79	78	90	M20																					
	9 27/32	2 11/16	7 23/32	1 7/32	1 1/16	1 1/2	3 1/4	3 1/16	-	1	UKF316	F316	UK316	HE2316X	12.9	123	86.7	3.53	13.3	-	-	-	-	-	-	-	-	-	-	-	
	250	68	196	31	27	38	82.5	78	-	M27																					
85 3 1/4 3 1/4 3 1/4	8 21/32	2 15/32	6 57/64	29/32	15/16	1 13/32	3 1/4	3 7/32	3 25/32	3/4	UKF217	F217	UK217	H2317X	9.0	84.0	61.9	2.60	14.5	UKF217C	UKF217D	92.5	3 21/32	9.0	UKF217FC	UKF217FD	107	4 7/32	10.4		
	220	63	175	23	24	36	82.5	82	96	M20																					
	8 7/16	2 3/4	6 47/64	29/32	15/16	1 9/16	3 7/32	3 7/32	3 25/32	3/4	UKFX17	FX17	UKX17	H2317X	10.4	96.1	71.5	2.91	14.5	UKFX17C	UKFX17D	101.5	4	10.4	-	-	-	-	-		
	214	70	171	23	24	40	82	82	96	M20																					
90 3 1/2 3 1/2 3 1/2	10 1/4	2 29/32	8 1/32	1 7/32	1 1/16	1 47/64	3 5/8	3 7/32	-	1	UKF317	F317	UK317	H2317X	15.2	133	96.8	3.82	13.3	-	-	-	-	-	-	-	-	-	-		
	260	74	204	31	27	44	92	82	-	M27																					
	9 1/4	2 11/16	7 23/64	29/32	31/32	1 9/16	3 17/32	3 3/8	4 1/32	3/4	UKF218	F218	UK218	H2318X	11.4	96.1	71.5	2.91	14.5	UKF218C	UKF218D	101.5	4	11.4	UKF218FC	UKF218FD	116	4 9/16	13.0		
	235	68	187	23	25	40	89.5	86	102	M20																					
90 - - -	8 7/16	3	6 47/64	29/32	15/16	1 49/64	3 15/32	3 3/8	4 1/32	3/4	UKFX18	FX18	UKX18	H2318X	11.4	109	81.9	3.23	14.4	-	-	-	-	-	-	-	-	-	-		
	214	76	171	23	24	45	88	86	102	M20																					
	11 1/32	3	8 1/2	1 3/8	1 3/16	1 47/64	3 5/8	3 3/8	-	1 1/8	UKF318	F318	UK318	H2318X	19.0	143	107	4.11	13.3	-	-	-	-	-	-	-	-	-	-		
	280	76	216	35	30	44	92	86	-	M30																					
85 3 1/4 3 1/4	11 13/32	3 11/16	8 31/32	1 3/8	1 3/16	2 21/64	4 3/8	3 17/32	-	1 1/8	UKF319	F319	UK319	HE2319X	21.9	153	119	4.45	13.3	-	-	-	-	-	-	-	-	-			
	290	94	228	35	30	59	111	90	-	M30																					
90 3 1/2 3 1/2	10 9/16	3 13/16	8 5/16	1 7/32	1 3/32	2 21/64	4 3/16	3 13/16	4 13/32	1	UKFX20	FX20	UKX20	HE2320X	18.4	133	105	3.91	14.4	-	-	-	-	-	-	-	-	-	-		
	268	97	211	31	28	59	106	97	112	M27																					

Remarks 1. In Part No. of unit and units with covers, fitting codes follow bore diameter numbers. (See Table 2.5 in P.11.)
2. Part No. of applicable grease nipples are shown below.
A-1/4-28UNF 205~210, X05~X09, 305~308
A-R1/8 211~218, X10~X20, 309~328

3. In Part No. of unit with adapters and bearing with adapters, Part No. of applicable adapter follow the Part No. shown in the dimensional tables.
(Example of Part No. : UKF206J + H2306X, UK206 + H2306X)
4. As for the triple-lip seal type product (205 is the double-lip seal type product), supplementary code L3 (L2) follows the Part No. of unit or bearing.
(Example of Part No. : UKF206JL3 + H2306X, UK206L3 + H2306X)
5. For the dimensions and forms of applicable bearings and adapters, see the dimensional tables of ball bearing for unit and adapter assemblies.
6. Housings of spheroidal graphite iron casting are also available.

Square-flanged type

UKF
Tapered bore (with adapter)
 d_1 (90) ~ 125 mm



Variations of tolerance of distance from mounting surface to center of spherical bore (ΔA_{2s}) and tolerance of position of bolt hole (X)

Housing No.			ΔA_{2s}	X
F205-F210	FX05-FX10	F305-F310	± 0.5	0.7
F211-F218	FX11-FX20	F311-F328	± 0.8	1

Unit: mm

Variations of tolerance of bolt hole diameter (ΔN_s)

Housing No.			ΔN_s
F205-F218	FX05-FX18	F305-F315	± 0.2
	FX20	F316-F328	± 0.3

Unit: mm

Shaft Dia. mm inch	Dimensions										Bolt Size inch mm	Standard			Adapter Assembly No.	Mass kg	Basic Load Ratings kN		Fatigue Load Limit kN C_u	Factor f_0	With Pressed Steel Cover			With Cast Iron Cover					
	inch mm											Unit No.	Housing No.	Bearing No.			Unit No.				Dimension mm inch	Mass kg	Unit No.		Dimension mm inch	Mass kg			
	d_1	L	A	J	N	A ₁	A ₂	A ₀	B ₁	d_e (min.)							Open End Type	Closed End Type					Open End Type	Closed End Type					
90 3 1/2	12 7/32	3 11/16	9 17/32	1 1/2	1 1/4	2 21/64	4 7/16	3 13/16	—	1 1/4	UKF320	F320	UK320	HE2320X H2320X	25.4 25.4	173	141	5.08	13.2	—	—	—	—	—	—	—	—	—	—
	310	94	242	38	32	59	113	97	—	1 3/8										UKF320C	UKF320D	146	5 3/4	28.5					
100 4	13 3/8	3 29/32	10 15/32	1 39/64	1 3/8	2 23/64	4 23/32	4 1/8	—	1 3/8	UKF322	F322	UK322	H2322X HE2322X	35.2 35.2	205	180	6.15	13.2	—	—	—	—	—	—	—	—	—	—
	340	96	266	41	35	60	120	105	—	M36										UKF322C	UKF322D	154	6 1/16	38.7					
110 —	14 9/16	4 11/32	11 27/64	1 39/64	1 9/16	2 9/16	5 1/8	4 13/32	—	1 3/8	UKF324	F324	UK324	H2324	47.6	207	185	6.10	13.5	—	—	—	—	—	—	—	—	—	—
	370	110	290	41	40	65	130.5	112	—	M36										UKF324C	UKF324D	163	6 13/32	52.7					
115 4 1/2	16 5/32	4 17/32	12 19/32	1 39/64	1 25/32	2 9/16	5 3/16	4 3/4	—	1 3/8	UKF326	F326	UK326	HE2326 H2326	65.3 65.3	229	214	6.79	13.6	—	—	—	—	—	—	—	—	—	—
	410	115	320	41	45	65	131.5	121	—	M36										UKF326C	UKF326D	172	6 25/32	71.9					
125 —	17 23/32	4 29/32	13 25/32	1 39/64	2 5/32	2 61/64	5 13/16	5 5/32	—	1 3/8	UKF328	F328	UK328	H2328	74.9	253	246	7.54	13.6	—	—	—	—	—	—	—	—	—	—
	450	125	350	41	55	75	147.5	131	—	M36										UKF328C	UKF328D	186	7 5/16	83.5					

Remarks 1. In Part No. of unit and units with covers, fitting codes follow bore diameter numbers. (See Table 2.5 in P.11.)

2. Part No. of applicable grease nipples are shown below.

A-1/4-28UNF 205-210, X05-X09, 305-308
A-R1/8 211-218, X10-X20, 309-328

3. In Part No. of unit with adapters and bearing with adapters, Part No. of applicable adapter follow the Part No. shown in the dimensional tables. (Example of Part No. : UKF206J + H2306X, UK206 + H2306X)

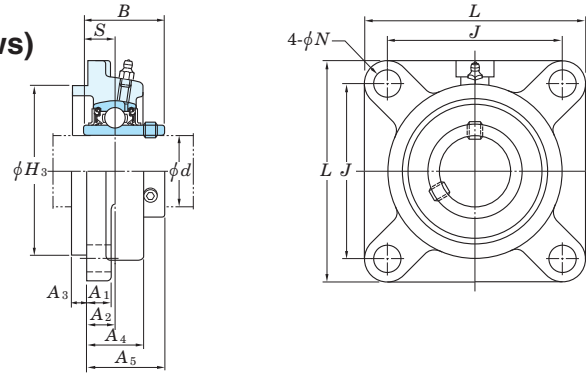
4. As for the triple-lip seal type product (205 is the double-lip seal type product), supplementary code L3 (L2) follows the Part No. of unit or bearing. (Example of Part No. : UKF206JL3 + H2306X, UK206L3 + H2306X)

5. For the dimensions and forms of applicable bearings and adapters, see the dimensional tables of ball bearing for unit and adapter assemblies.

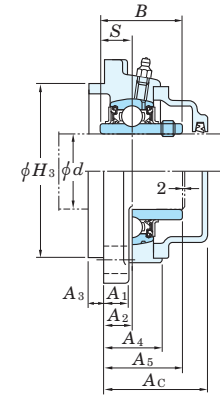
6. Housings of spheroidal graphite iron casting are also available.

Square-flanged type with spigot joint

UCFS
Cylindrical bore (with set screws)
d 25 ~ 140 mm



With Cast Iron Cover



Variations of tolerance of spigot joint outside diameter (ΔH_{3s}), variations of tolerance of distance from mounting surface to center of spherical bore (ΔA_{2s}), tolerance of position of bolt hole (X), and tolerance of circumferential runout of spigot joint (Y)

Variations of tolerance of bolt hole diameter (ΔN_s)

Housing No.	ΔH_{3s}	ΔA_{2s}	X	Y	Unit: mm
FS305	0	-0.046	±0.5	0.7	0.2
FS306~FS308	0	-0.054			
FS309~FS310	0	-0.063			
FS311~FS313	0	-0.072	±0.8	1	0.3
FS314~FS319	0	-0.072			
FS320~FS322	0	-0.081			
FS324~FS328	0	-0.089			

Housing No.	ΔN_s	Unit: mm
FS305~315	±0.2	
FS316~328	±0.3	

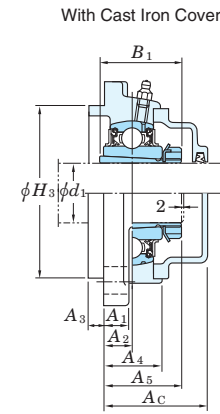
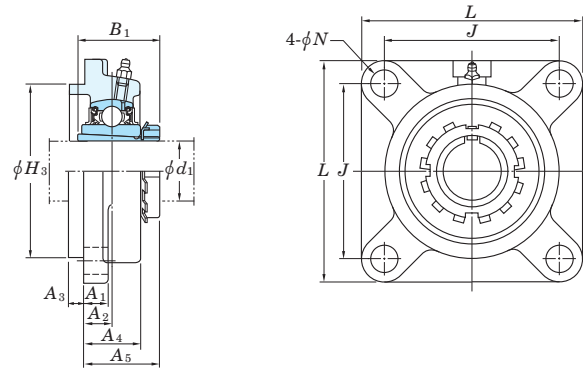
Shaft Dia. mm inch d	Dimensions inch mm												Bolt Size inch mm	Standard			Mass kg	Basic Load Ratings kN		Fatigue Load Limit kN	Factor f ₀	With Cast Iron Cover		
	L	H ₃	J	N	A ₁	A ₂	A ₃	A ₄	A ₅	B	S	Unit No.		Housing No.	Bearing No.	Unit No.		Dimension mm inch	Mass kg					
25 1	4 11/32	3.1496	3 5/32	5/8	1/2	23/64	9/32	7/8	1 1/4	1.496	0.591	1/2	UCFS305	FS305	UC305	UCFS305C	UCFS305D	47	1 27/32	1.7				
	110	80	80	16	13	9	7	22	32	38	15	M14	UCFS305-16			-	-	-	-	-				
30 -	4 29/32	3.5433	3 47/64	5/8	19/32	25/64	5/16	15/16	1 13/32	1.693	0.669	1/2	UCFS306	FS306	UC306	UCFS306C	UCFS306D	51	2	2.2				
	125	90	95	16	15	10	8	24	36	43	17	M14				-	-	-	-	-				
35 -	5 5/16	3.9370	3 15/16	3/4	5/8	7/16	23/64	1 1/16	1 9/16	1.890	0.748	5/8	UCFS307	FS307	UC307	UCFS307C	UCFS307D	55	2 5/32	2.7				
	135	100	100	19	16	11	9	27	40	48	19	M16				-	-	-	-	-				
40 1 1/2	5 29/32	4.5276	4 13/32	3/4	21/32	33/64	25/64	1 3/16	1 13/16	2.047	0.748	5/8	UCFS308-24	FS308	UC308-24	-	-	-	-	-				
	150	115	112	19	17	13	10	30	46	52	19	M16	UCFS308			UCFS308C	UCFS308D	61	2 13/32	3.9				
45 1 3/4	6 5/16	4.9213	4 59/64	3/4	23/32	35/64	7/16	1 5/16	1 15/16	2.244	0.866	5/8	UCFS309-28	FS309	UC309-28	-	-	-	-	-				
	160	125	125	19	18	14	11	33	49	57	22	M16	UCFS309			UCFS309C	UCFS309D	65	2 9/16	5.0				
50 -	6 7/8	5.5118	5 13/64	29/32	3/4	5/8	15/32	1 13/32	2 5/32	2.402	0.866	3/4	UCFS310	FS310	UC310	UCFS310C	UCFS310D	71	2 25/32	6.1				
	175	140	132	23	19	16	12	36	55	61	22	M20				-	-	-	-	-				
55 2	7 9/32	5.9055	5 33/64	29/32	25/32	43/64	33/64	1 17/32	2 9/32	2.598	0.984	3/4	UCFS311-32	FS311	UC311-32	-	-	-	-	-				
	185	150	140	23	20	17	13	39	58	66	25	M20	UCFS311			UCFS311C	UCFS311D	74	2 29/32	7.0				
60 -	7 11/16	6.2992	5 29/32	29/32	7/8	3/4	35/64	1 21/32	2 17/32	2.795	1.024	3/4	UCFS312	FS312	UC312	UCFS312C	UCFS312D	81	3 3/16	8.6				
	195	160	150	23	22	19	14	42	64	71	26	M20				-	-	-	-	-				
65 2 1/2	8 3/16	6.8898	6 17/32	29/32	7/8	19/32	45/64	1 9/16	2 3/8	2.953	1.181	3/4	UCFS313-40	FS313	UC313-40	-	-	-	-	-				
	208	175	166	23	22	15	18	40	60	75	30	M20	UCFS313			UCFS313C	UCFS313D	76	3	9.9				
70 2 3/4	8 29/32	7.2835	7 1/64	63/64	31/32	45/64	45/64	1 11/16	2 15/32	3.071	1.299	7/8	UCFS314-44	FS314	UC314-44	-	-	-	-	-				
	226	185	178	25	25	18	18	43	63	78	33	M22	UCFS314			UCFS314C	UCFS314D	80	3 5/32	12.3				
75 2 15/16	9 9/32	7.8740	7 1/4	63/64	31/32	53/64	45/64	1 7/8	2 25/32	3.228	1.260	7/8	UCFS315-47	FS315	UC315-47	-	-	-	-	-				
	236	200	184	25	25	21	18	48	71	82	32	M22	UCFS315			UCFS315C	UCFS315D	88	3 15/32	15.0				
80 -	9 27/32	8.2677	7 23/32	1 7/32	1 1/16	45/64	25/32	1 7/8	2 3/4	3.386	1.339	1	UCFS316	FS316	UC316	UCFS316C	UCFS316D	87	3 7/16	16.5				
	250	210	196	31	27	18	20	48	70	86	34	M27				-	-	-	-	-				
85 -	10 1/4	8.6614	8 1/32	1 7/32	1 1/16	15/16	25/32	2 1/8	3 5/32	3.780	1.575	1	UCFS317	FS317	UC317	UCFS317C	UCFS317D	97	3 13/16	18.9				
	260	220	204	31	27	24	20	54	80	96	40	M27				-	-	-	-	-				
90 3 1/2	11 1/32	9.4488	8 1/2	1 3/8	1 3/16	15/16	25/32	2 7/32	3 5/32	3.780	1.575	1 1/8	UCFS318-56	FS318	UC318-56	-	-	-	-	-				
	280	240	216	35	30	24	20	56	80	96	40	M30	UCFS318			UCFS318C	UCFS318D	99	3 29/32	23.2				
95 -	11 13/32	9.8425	8 31/32	1 3/8	1 3/16	1 17/32	25/32	2 29/32	3 31/32	4.055	1.614	1 1/8	UCFS319	FS319	UC319	UCFS319C	UCFS319D	120	4 23/32	26.7				
	290	250	228	35	30	39	20	74	101	103	41	M30				-	-	-	-	-				
100 3 15/16	12 7/32	10.2362	9 17/32	1 1/2	1 1/4	1 17/32	25/32	2 29/32	4 1/8	4.252	1.654	1 1/4	UCFS320	FS320	UC320	UCFS320C	UCFS320D	126	4 31/32	32.3				
	310	260	242	38	32	39	20	74	105	108	42	M33	UCFS320-63			-	-	-	-	-				
105 -	12 7/32	10.2362	9 17/32	1 1/2	1 1/4	1 17/32	25/32	2 29/32	4 7/32	4.409	1.732	1 1/4	UCFS321	FS321	UC321	UCFS321C	UCFS321D	128	5 1/32	35.7				
	310	260	242	38	32	39	20	74	107	112	44	M33				-	-	-	-	-				
110 -	13 3/8	11.8110	10 15/32	1 39/64	1 3/8	1 3/8	63/64	2 25/32	4 3/16	4.606	1.811	1 3/8	UCFS322	FS322	UC322	UCFS322C	UCFS322D	129	5 3/32	42.4				
	340	300	266	41	35	35	25	71	106	117	46	M36				-	-	-	-	-				
120 -	14 9/16	12.9921	11 27/64	1 39/64	1 9/16	1 3/8	1 3/16	3 5/32	4 11/32	4.961	2.008	1 3/8	UCFS324	FS324	UC324	UCFS324C	UCFS324D	133	5 1/4	55.4				
	370	330	290	41	40	35	30	80	110	126	51	M36				-	-	-	-	-				
130 -	16 5/32	14.1732	12 19/32	1 39/64	1 25/32	1 3/8	1 3/16	3 11/32	4 9/16	5.315	2.126	1 3/8	UCFS326	FS326	UC326	UCFS326C	UCFS326D	142	5 29/32	73.8				
	410	360	320	41	45	35	30	85	116	135	54	M36				-	-	-	-	-				
140 -	17 23/32	15.7480	13 25/32	1 39/64	2 5/32	1 49/64	1 3/16	3 3/4	5 5/32	5.709	2.323	1 3/8	UCFS328	FS328	UC328	UCFS328C	UCFS328D	156	6 5/32	102				
	450	400	350	41	55	45	30	95	131	145	59	M36				-	-	-	-	-				

Remarks 1. In Part No. of unit and units with covers, fitting codes follow bore diameter numbers. (See Table 2.5 in P.11.)
2. Part No. of applicable grease nipples are shown below.
A-1/4-28UNF..... 305~308
A-R1/8..... 309~328

3. As for the triple-lip seal type product, supplementary code L3 follows the Part No. of unit or bearing. (Example of Part No. : UCFS307JL3, UC307L3)
4. The dimensions and forms of applicable bearings, see the dimensional tables of ball bearing for unit.
5. Housings of spheroidal graphite iron casting are also available.

Square-flanged type with spigot joint

UKFS
Tapered bore (with adapter)
 d_1 20 ~ 125 mm



Variations of tolerance of spigot joint outside diameter (ΔH_{3s}), variations of tolerance of distance from mounting surface to center of spherical bore (ΔA_{2s}), tolerance of position of bolt hole (X), and tolerance of circumferential runout of spigot joint (Y)

Housing No.	ΔH_{3s}	ΔA_{2s}	X	Y	Unit: mm	
					Open End Type	Closed End Type
FS305	0 -0.046	±0.5	0.7	0.2	0.3	~FS318 FS319~
FS306~FS308	0 -0.054					
FS309~FS310	0	±0.8	1	0.4		
FS311~FS313	0 -0.063					
FS315~FS319	0 -0.072					
FS320~FS322	0 -0.081					
FS324~FS328	0 -0.089					

Variations of tolerance of bolt hole diameter (ΔN_s)

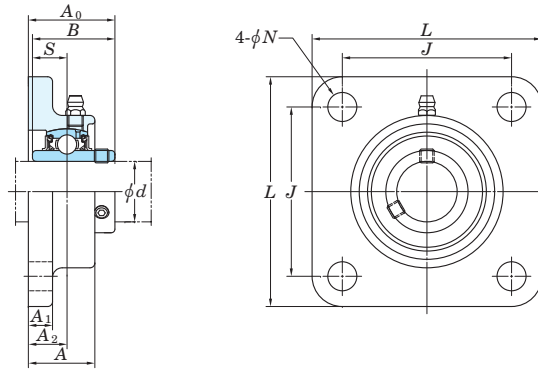
Housing No.	ΔN_s	Unit: mm
FS305~315	±0.2	
FS316~328	±0.3	

Shaft Dia. mm inch	Dimensions inch mm											Bolt Size inch mm	Standard			Adapter Assembly No.	Mass kg	Basic Load Ratings kN		Fatigue Load Limit kN	Factor f_0	With Cast Iron Cover		
	d_1	L	H_3	J	N	A ₁	A ₂	A ₃	A ₄	A ₅	B ₁		Unit No.	Housing No.	Bearing No.			Unit No.	Dimension mm inch			Mass kg		
20 $\frac{3}{4}$	4 11/32	3.1496	3 5/32	5/8	1/2	23/64	9/32	7/8	1 3/16	1 3/8	1/2	UKFS305	FS305	UK305	HE2305X H2305X	1.4 1.4	21.2 10.9	0.495	12.6	—	—	—		
	110	80	80	16	13	9	7	22	30.5	35	M14	UKFS305	FS305	UK305	HE2305X H2305X	1.4 1.4	21.2 10.9	0.495	12.6	UKFS305C	UKFS305D	47 1 27/32	1.7	
25 1	4 29/32	3.5433	3 47/64	5/8	19/32	25/64	5/16	15/16	1 5/16	1 1/2	1/2	UKFS306	FS306	UK306	H2306X HE2306X	1.9 1.9	26.7 15.0	0.682	13.3	—	—	—		
	125	90	95	16	15	10	8	24	33	38	M14	UKFS306	FS306	UK306	H2306X HE2306X	1.9 1.9	26.7 15.0	0.682	13.3	UKFS306C	UKFS306D	51 2	2.2	
30 1 1/8	5 5/16	3.9370	3 15/16	3/4	5/8	7/16	23/64	1 1/16	1 7/16	1 11/16	5/8	UKFS307	FS307	UK307	HS2307X H2307X	2.4 2.4	33.4 19.3	0.877	13.2	—	—	—		
	135	100	100	19	16	11	9	27	36.5	43	M16	UKFS307	FS307	UK307	HS2307X H2307X	2.4 2.4	33.4 19.3	0.877	13.2	UKFS307C	UKFS307D	55 2 5/32	2.9	
35 1 1/4 1 3/8	5 29/32	4.5276	4 13/32	3/4	21/32	33/64	25/64	1 3/16	1 19/32	1 13/16	5/8	UKFS308	FS308	UK308	HE2308X HS2308X H2308X	3.4 3.4 3.4	40.7 24.0	1.09	13.2	—	—	—		
	150	115	112	19	17	13	10	30	40.5	46	M16	UKFS308	FS308	UK308	HE2308X HS2308X H2308X	3.4 3.4 3.4	40.7 24.0	1.09	13.2	UKFS308C	UKFS308D	61 2 13/32	3.9	
40 1 1/2	6 5/16	4.9213	4 59/64	3/4	23/32	35/64	7/16	1 5/16	1 23/32	1 31/32	5/8	UKFS309	FS309	UK309	HE2309X H2309X	4.4 4.4	48.9 29.5	1.34	13.3	—	—	—		
	160	125	125	19	18	14	11	33	44	50	M16	UKFS309	FS309	UK309	HE2309X H2309X	4.4 4.4	48.9 29.5	1.34	13.3	UKFS309C	UKFS309D	65 2 9/16	5.0	
45 1 3/4	6 7/8	5.5118	5 13/64	29/32	3/4	5/8	15/32	1 13/32	1 7/8	2 5/32	3/4	UKFS310	FS310	UK310	HE2310X H2310X	5.3 5.3	62.0 38.3	1.74	13.2	—	—	—		
	175	140	132	23	19	16	12	36	48	55	M20	UKFS310	FS310	UK310	HE2310X H2310X	5.3 5.3	62.0 38.3	1.74	13.2	UKFS310C	UKFS310D	71 2 25/32	6.1	
50 1 7/8 2	7 9/32	5.9055	5 33/64	29/32	25/32	43/64	33/64	1 17/32	2	2 5/16	3/4	UKFS311	FS311	UK311	HS2311X H2311X HE2311X	6.3 6.3 6.3	71.6 45.0	2.05	13.2	—	—	—		
	185	150	140	23	20	17	13	39	51	59	M20	UKFS311	FS311	UK311	HS2311X H2311X HE2311X	6.3 6.3 6.3	71.6 45.0	2.05	13.2	UKFS311C	UKFS311D	74 2 29/32	7.2	
55 2 1/8	7 11/16	6.2992	5 29/32	29/32	7/8	3/4	35/64	1 21/32	2 3/16	2 7/16	3/4	UKFS312	FS312	UK312	HS2312X H2312X	7.3 7.3	81.9 52.2	2.37	13.2	—	—	—		
	195	160	150	23	22	19	14	42	55.5	62	M20	UKFS312	FS312	UK312	HS2312X H2312X	7.3 7.3	81.9 52.2	2.37	13.2	UKFS312C	UKFS312D	81 3 3/16	8.5	
60 2 1/4 2 3/8	8 3/16	6.8898	6 17/32	29/32	7/8	19/32	45/64	1 9/16	2 3/32	2 9/16	3/4	UKFS313	FS313	UK313	HE2313X H2313X HS2313X	8.9 8.9 8.9	92.7 59.9	2.68	13.2	—	—	—		
	208	175	166	23	22	15	18	40	53.5	65	M20	UKFS313	FS313	UK313	HE2313X H2313X HS2313X	8.9 8.9 8.9	92.7 59.9	2.68	13.2	UKFS313C	UKFS313D	76 3	10.0	
65 2 1/2	9 9/32	7.8740	7 1/4	63/64	31/32	53/64	45/64	1 7/8	2 1/2	2 7/8	7/8	UKFS315	FS315	UK315	HE2315X H2315X	13.4 13.4	113 77.2	3.24	13.2	—	—	—		
	236	200	184	25	25	21	18	48	63.5	73	M22	UKFS315	FS315	UK315	HE2315X H2315X	13.4 13.4	113 77.2	3.24	13.2	UKFS315C	UKFS315D	88 3 15/32	14.8	
70 2 3/4	9 27/32	8.2677	7 23/32	1 7/32	1 1/16	45/64	25/32	1 7/8	2 15/32	3 1/16	1	UKFS316	FS316	UK316	HE2316X H2316X	15.1 15.1	123 86.7	3.53	13.3	—	—	—		
	250	210	196	31	27	18	20	48	62.5	78	M27	UKFS316	FS316	UK316	HE2316X H2316X	15.1 15.1	123 86.7	3.53	13.3	UKFS316C	UKFS316D	87 3 7/16	16.7	
75 3	10 1/4	8.6614	8 1/32	1 7/32	1 1/16	15/16	25/32	2 1/8	2 27/32	3 7/32	1	UKFS317	FS317	UK317	H2317X HE2317X	17.1 17.1	133 96.8	3.82	13.3	—	—	—		
	260	220	204	31	27	24	20	54	72	82	M27	UKFS317	FS317	UK317	H2317X HE2317X	17.1 17.1	133 96.8	3.82	13.3	UKFS317C	UKFS317D	97 3 13/16	18.9	
80 —	11 1/32	9.4488	8 1/2	1 3/8	1 3/16	15/16	25/32	2 7/32	2 27/32	3 3/8	1 1/8	UKFS318	FS318	UK318	H2318X	21.4	143 107	4.11	13.3	—	—	—		
	280	240	216	35	30	24	20	56	72	86	M30	UKFS318	FS318	UK318	H2318X	21.4	143 107	4.11	13.3	UKFS318C	UKFS318D	99 3 29/32	23.5	
85 3 1/4	11 13/32	9.8425	8 31/32	1 3/8	1 3/16	1 17/32	25/32	2 29/32	2 19/32	3 17/32	1 1/8	UKFS319	FS319	UK319	HE2319X H2319X	24.8 24.8	153 119	4.45	13.3	—	—	—		
	290	250	228	35	30	39	20	74	91	90	M30	UKFS319	FS319	UK319	HE2319X H2319X	24.8 24.8	153 119	4.45	13.3	UKFS319C	UKFS319D	120 4 23/32	26.2	
90 3 1/2	12 7/32	10.2362	9 17/32	1 1/2	1 1/4	1 17/32	25/32	2 29/32	2 21/32	3 13/16	1 1/4	UKFS320	FS320	UK320	HE2320X H2320X	29.1 29.1	173 141	5.08	13.2	—	—	—		
	310	260	242	38	32	39	20	74	93	97	M33	UKFS320	FS320	UK320	HE2320X H2320X	29.1 29.1	173 141	5.08	13.2	UKFS320C	UKFS320D	126 4 31/32	32.2	
100 4	13 3/8	11.8110	10 15/32	1 39/64	1 3/8	1 3/8	63/64	2 25/32	2 3/4	4 1/8	1 3/8	UKFS322	FS322	UK322	H2322X HE2322X	38.6 38.6	205 180	6.15	13.2	—	—	—		
	340	300	266	41	35	35	25	71	95	105	M36	UKFS322	FS322	UK322	H2322X HE2322X	38.6 38.6	205 180	6.15	13.2	UKFS322C	UKFS322D	129 5 3/32	42.1	
110 —	14 9/16	12.9921	11 27/64	1 39/64	1 9/16	1 3/8	1 3/16	3 5/32	3 21/32	4 13/32	1 3/8	UKFS324	FS324	UK324	H2324	50.9	207 185	6.10	13.5	—	—	—		
	370	330	290	41	40	35	30	80	100.5	112	M36	UKFS324	FS324	UK324	H2324	50.9	207 185	6.10	13.5	UKFS324C	UKFS324D	133 5 1/4	56.0	
115 4 1/2	16 5/32	14.1732	12 19/32	1 39/64	1 25/32	1 3/8	1 3/16	3 11/32	4	4 3/4	1 3/8	UKFS326	FS326	UK326	HE2326 H2326	67.5 67.5	229 214	6.79	13.6	—	—	—		
	410	360	320	41	45	35	30	85	101.5	121	M36	UKFS326	FS326	UK326	HE2326 H2326	67.5 67.5	229 214	6.79	13.6	UKFS326C	UKFS326D	142 5 29/32	74.1	
125 —	17 23/32	15.7480	13 25/32	1 39/64	2 5/32	1 49/64	1 3/16	3 3/4	4 5/8	5 5/32	1 3/8	UKFS328	FS328	UK328	H2328	94.0	253 246	7.54	13.6	—	—	—		
	450	400	350	41	55	45	30	95	117.5	131	M36	UKFS328	FS328	UK328	H2328	94.0	253 246	7.54	13.6	UKFS328C	UKFS328D	156 6 5/32	102	

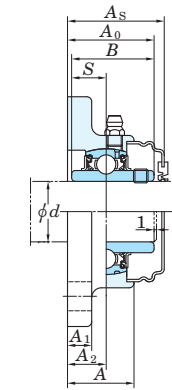
Remarks 1. In Part No. of unit and units with covers, fitting codes follow bore diameter numbers. (See Table 2.5 in P.11.)
 2. Part No. of applicable grease nipples are shown below.
 A-1/4-28UNF 305~308
 A-R1/8 309~328

3. In Part No. of unit with adapters and bearing with adapters, Part No. of applicable adapter follow the Part No. shown in the dimensional tables.
 (Example of Part No. : UKFS307J + H2307X, UK307 + H2307X)
 4. As for the triple-lip seal type product, supplementary code L3 follows the Part No. of unit or bearing.
 (Example of Part No. : UKFS307JL3 + H2307X, UK307L3 + H2307X)
 5. For the dimensions and forms of applicable bearings and adapters, see the dimensional tables of ball bearing for unit and adapter assemblies.
 6. Housings of spheroidal graphite iron casting are also available.

UCSF-H1S6
Cylindrical bore (with set screws)
 d 20 ~ 50 mm



With Pressed Stainless Steel Cover



Variations of tolerance of distance from mounting surface to center of spherical bore (ΔA_{2s}) and tolerance of position of bolt hole (X)

Housing No.	ΔA_{2s}	X
SF204H1-210H1	± 0.5	0.7

Unit: mm

Variations of tolerance of bolt hole diameter (ΔN_s)

Housing No.	ΔN_s
SF204H1-210H1	± 0.2

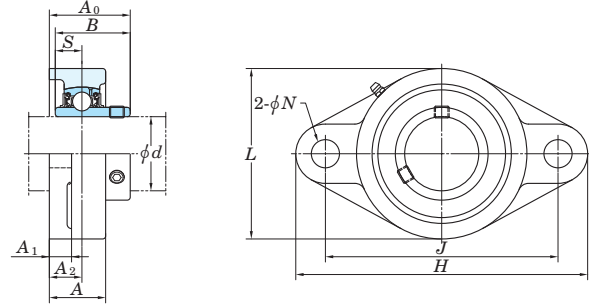
Unit: mm

Shaft Dia. mm d	Dimensions inch mm										Bolt Size inch mm	Standard			Mass kg	Basic Load Ratings kN		Fatigue Load Limit kN C_u	Factor f_0	With Pressed Stainless Steel Cover		
	L	A	J	N	A_1	A_2	A_0	B	S	Unit No.		Housing No.	Bearing No.	C_r		C_{0r}	Open End Type			Closed End Type	Dimension mm inch A_s	Mass kg
20	3 3/8 86	1 1/32 26	2 33/64 64	15/32 12	13/32 10	19/32 15	1 5/16 33.3	1.220 31	0.500 12.7	3/8 M10	UCSF204H1S6	SF204H1	UC204S6	10.9	5.35	0.243	13.2	UCSF204H1CS6	UCSF204H1DS6	37.5 1 15/32	0.66	
25	3 3/4 95	1 3/32 27.5	2 3/4 70	15/32 12	13/32 10	5/8 16	1 13/32 35.8	1.343 34.1	0.563 14.3	3/8 M10	UCSF205H1S6	SF205H1	UC205S6	11.9	6.3	0.286	13.9	UCSF205H1CS6	UCSF205H1DS6	40.5 1 19/32	0.85	
30	4 1/4 108	1 7/32 31	3 17/64 83	15/32 12	13/32 10	45/64 18	1 19/32 40.2	1.500 38.1	0.626 15.9	3/8 M10	UCSF206H1S6	SF206H1	UC206S6	16.5	9.05	0.411	13.9	UCSF206H1CS6	UCSF206H1DS6	44.5 1 3/4	1.2	
35	4 19/32 117	1 11/32 34	3 5/8 92	35/64 14	7/16 11	3/4 19	1 3/4 44.4	1.689 42.9	0.689 17.5	7/16 M12	UCSF207H1S6	SF207H1	UC207S6	21.8	12.3	0.559	13.9	UCSF207H1CS6	UCSF207H1DS6	49 1 15/16	1.5	
40	5 1/8 130	1 13/32 36	4 1/64 102	5/8 16	15/32 12	53/64 21	2 1/32 51.2	1.937 49.2	0.748 19	1/2 M14	UCSF208H1S6	SF208H1	UC208S6	24.8	14.3	0.650	14.0	UCSF208H1CS6	UCSF208H1DS6	55.5 2 3/16	2.0	
45	5 13/32 137	1 1/2 38	4 9/64 105	5/8 16	1/2 13	55/64 22	2 1/16 52.2	1.937 49.2	0.748 19	1/2 M14	UCSF209H1S6	SF209H1	UC209S6	27.8	16.2	0.736	14.0	UCSF209H1CS6	UCSF209H1DS6	56.5 2 7/32	2.3	
50	5 5/8 143	1 9/16 40	4 3/8 111	5/8 16	1/2 13	55/64 22	2 5/32 54.6	2.031 51.6	0.748 19	1/2 M14	UCSF210H1S6	SF210H1	UC210S6	29.8	18.6	0.845	14.4	UCSF210H1CS6	UCSF210H1DS6	59 2 5/16	2.6	

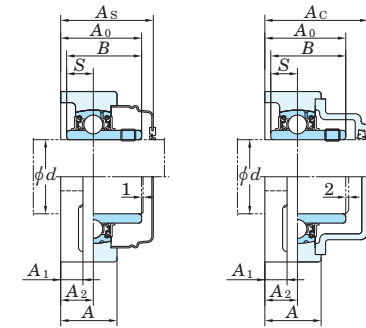
- Remarks 1. In Part No. of unit and units with covers, fitting codes follow bore diameter codes. (See Table 2.5 in P.11.)
 2. Part No. of the applicable grease nipple is A-1/4-28UNFN12.
 3. For the dimensions and forms of applicable bearings, see the dimensional tables of ball bearing for unit.

Rhombic-flanged type

UCFL
Cylindrical bore (with set screws)
d (45) ~ (90) mm



With Pressed Steel Cover With Cast Iron Cover



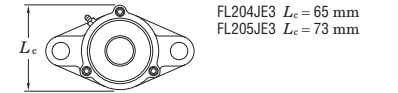
Variations of tolerance of distance from mounting surface to center of spherical bore (ΔA2s) and tolerance of position of bolt hole (X)

Housing No.		ΔA2s	X	
FL204-FL210	FLX05-FLX10	FL305-FL310	±0.5	0.7
FL211-FL218		FL311-FL324	±0.8	1

Variations of tolerance of bolt hole diameter (ΔNs) Unit: mm

Housing No.		ΔNs	
FL204-FL218	FLX05-FLX10	FL305-FL311	±0.2
		FL312-FL324	±0.3

Forms and dimensions of Lc of FL204JE3 and FL205JE3 (housing with cast iron cover) are shown below.

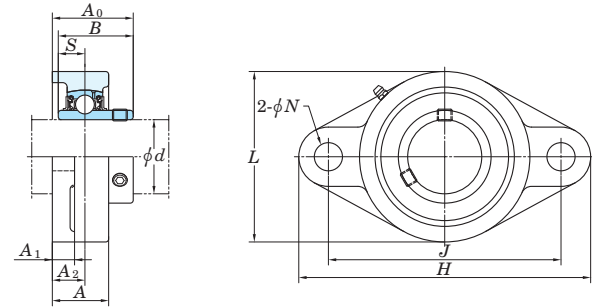


Shaft Dia. mm inch	Dimensions											Bolt Size inch mm	Standard			Basic Load Ratings kN	Fatigue Load Limit kN	Factor f0	With Pressed Steel Cover				With Cast Iron Cover				
	inch mm												Unit No.	Housing No.	Bearing No.				Unit No.	Dimension mm inch		Mass kg	Unit No.	Dimension mm inch		Mass kg	
d	H	L	A	J	N	A1	A2	A0	B	S					Cr	Cor	Cu	Open End Type	Closed End Type	As		Open End Type	Closed End Type	Ac			
45	1 3/4	9 1/16	4 29/32	1 23/32	6 31/32	63/64	23/32	63/64	2 3/8	2.244	0.866	7/8	UCFL309-28	FL309	UC309-28	3.5											
		230	125	44	177	25	18	25	60	57	22	M22	UCFL309		UC309	3.5	48.9	29.5	1.34	13.3							
50	1 7/8	7 3/4	4 17/32	1 9/16	6 3/16	3/4	19/32	55/64	2 5/32	2.031	0.748	5/8	UCFL210-30	FL210	UC210-30	2.2											
	1 15/16	197	115	40	157	19	15	22	54.6	51.6	19	M16	UCFL210-31		UC210-31	2.2	35.1	23.3	1.06	14.4							
	2												UCFL210		UC210	2.2											
	1 15/16	8 1/2	5 1/4	1 23/32	7 1/4	3/4	25/32	1 1/32	2 11/32	2.189	0.874	5/8	UCFLX10-31	FLX10	UCX10-31	3.8											
2	216	133	44	184	19	20	26	59.4	55.6	22.2	M16	UCFLX10		UCX10	3.8	43.4	29.4	1.34	14.4	UCFLX10C	UCFLX10D	64	2 17/32	3.8			
55		9 7/16	5 1/2	1 7/8	7 23/64	63/64	3/4	1 7/64	2 5/8	2.402	0.866	7/8	UCFL310	FL310	UC310	4.4	62.0	38.3	1.74	13.2							
	2	240	140	48	187	25	19	28	67	61	22	M22															
	2 1/8	8 13/16	5 1/8	1 11/16	7 1/4	3/4	23/32	63/64	2 5/16	2.189	0.874	5/8	UCFL211-32	FL211	UC211-32	3.3											
	2 3/16	224	130	43	184	19	18	25	58.4	55.6	22.2	M16	UCFL211-34		UC211-34	3.3	43.4	29.4	1.34	14.4	UCFL211C	UCFL211D	63	2 15/32	3.3		
60	2	9 27/32	5 29/32	2 1/16	7 51/64	63/64	25/32	1 3/16	2 25/32	2.598	0.984	7/8	UCFL311-32	FL311	UC311-32	5.3	71.6	45.0	2.05	13.2							
	2 1/4	250	150	52	198	25	20	30	71	66	25	M22	UCFL311		UC311	5.3											
	2 3/8	9 27/32	5 1/2	1 7/8	7 61/64	29/32	23/32	1 9/64	2 23/32	2.563	1.000	3/4	UCFL212-36	FL212	UC212-36	4.2											
	2 7/16	250	140	48	202	23	18	29	68.7	65.1	25.4	M20	UCFL212		UC212	4.2	52.4	36.2	1.65	14.4	UCFL212C	UCFL212D	73.5	2 29/32	4.2		
65		10 5/8	6 5/16	2 7/32	8 11/32	1 7/32	7/8	1 19/64	3 1/16	2.795	1.024	1	UCFL312	FL312	UC312	6.5	81.9	52.2	2.37	13.2							
	2 1/2	270	160	56	212	31	22	33	78	71	26	M27															
	2 1/2	10 5/32	6 3/32	1 31/32	8 17/64	29/32	25/32	1 3/16	2 3/4	2.563	1.000	3/4	UCFL213-40	FL213	UC213-40	5.1	57.2	40.1	1.82	14.4							
	2 7/16	258	155	50	210	23	20	30	69.7	65.1	25.4	M20	UCFL213		UC213	5.1											
70	2 3/4	11 5/8	6 7/8	2 9/32	9 29/64	1 7/32	31/32	1 19/64	3 1/16	2.953	1.181	1	UCFL313-40	FL313	UC313-40	8.5	92.7	59.9	2.68	13.2							
	2 3/4	295	175	58	240	31	25	33	78	75	30	M27	UCFL313		UC313	8.5											
	2 3/4	10 7/16	6 5/16	2 1/8	8 1/2	29/32	25/32	1 7/32	2 31/32	2.937	1.189	3/4	UCFL214-44	FL214	UC214-44	5.7	62.2	44.1	2.01	14.5							
	2 3/4	265	160	54	216	23	20	31	75.4	74.6	30.2	M20	UCFL214		UC214	5.7											
75		12 13/32	7 9/32	2 13/32	9 27/32	1 3/8	1 3/32	1 27/64	3 3/16	3.071	1.299	1 1/8	UCFL314-44	FL314	UC314-44	9.7	104	68.2	2.96	13.2							
	2 15/16	315	185	61	250	35	28	36	81	78	33	M30	UCFL314		UC314	9.7											
	3	10 13/16	6 1/2	2 7/32	8 55/64	29/32	25/32	1 11/32	3 3/32	3.063	1.311	3/4	UCFL215-47	FL215	UC215-47	6.4	67.4	48.3	2.17	14.5							
	2 15/16	275	165	56	225	23	20	34	78.5	77.8	33.3	M20	UCFL215		UC215	6.4											
80		12 19/32	7 11/16	2 19/32	10 15/64	1 3/8	1 3/16	1 17/32	3 1/2	3.228	1.260	1 1/8	UCFL315-47	FL315	UC315-47	11.3	113	77.2	3.24	13.2							
	3	320	195	66	260	35	30	39	89	82	32	M30	UCFL315		UC315	11.3											
	3 1/8	11 13/32	7 3/32	2 9/32	9 11/64	63/64	25/32	1 11/32	3 9/32	3.252	1.311	7/8	UCFL216-50	FL216	UC216-50	7.8	72.7	53.0	2.30	14.6							
	3	290	180	58	233	25	20	34	83.3	82.6	33.3	M22	UCFL216		UC216	7.8											
85		13 31/32	8 9/32	2 11/16	11 7/32	1 1/2	1 1/4	1 1/2	3 17/32	3.386	1.339	1 1/4	UCFL316	FL316	UC316	14.4	123	86.7	3.53	13.3							
	3 1/4	355	210	68	285	38	32	38	90	86	34	M33															
	3 1/4	12	7 15/32	2 15/32	9 49/64	63/64	7/8	1 27/64	3 7/16	3.374	1.343	7/8	UCFL217-52	FL217	UC217-52	9.8	84.0	61.9	2.60	14.5							
	3	305	190	63	248	25	22	36	87.6	85.7	34.1	M22	UCFL217		UC217	9.8											
90		14 9/16	8 21/32	2 29/32	11 13/16	1 1/2	1 1/4	1 47/64	3 15/16	3.780	1.575	1 1/4	UCFL317	FL317	UC317	16.0	133	96.8	3.82	13.3							
	3 1/2	370	220	74	300	38	32	44	100	96	40	M33															
	3 1/2	12 19/32	8 1/16	2 11/16	10 7/16	63/64	29/32	1 37/64	3 25/32	3.780	1.563	7/8	UCFL218-56	FL218	UC218-56	12.3	96.1	71.5	2.91	14.5							
		320	205	68	265	25	23	40	96.3	96	39.7	M22	UCFL218		UC218	12.3											

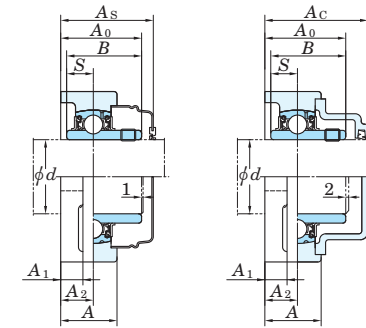
Remarks 1. In Part No. of unit and units with covers, fitting codes follow bore diameter numbers. (See Table 2.5 in P.11.)
 2. Part No. of applicable grease nipples are shown below.
 A-1/4-28UNF..... 201-210, X05-X09, 305-308
 A-R1/8..... 211-218, X10, 309-324
 3. As for the triple-lip seal type product (from 201 to 205 are the double-lip seal type products), supplementary code L3 (or L2) follows the Part No. of unit or bearing. (Example of Part No.: UCFL206JL3, UC206L3)
 4. For the dimensions and forms of applicable bearings, see the dimensional tables of ball bearing for unit.
 5. Housings of spheroidal graphite iron casting are also available.

Rhombic-flanged type

UCFL
Cylindrical bore (with set screws)
 d (90) ~ 120 mm



With Pressed Steel Cover With Cast Iron Cover



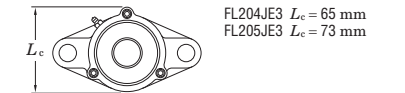
Variations of tolerance of distance from mounting surface to center of spherical bore (ΔA_{2s}) and tolerance of position of bolt hole (X)
Unit: mm

Housing No.	ΔA_{2s}	X
FL204-FL210	± 0.5	0.7
FL211-FL218	± 0.8	1

Variations of tolerance of bolt hole diameter (ΔN_s)
Unit: mm

Housing No.	ΔN_s
FL204-FL218	± 0.2
FL312-FL324	± 0.3

Forms and dimensions of L_c of FL204JE3 and FL205JE3 (housing with cast iron cover) are shown below.



Shaft Dia. mm inch	Dimensions											Bolt Size inch mm	Standard			Mass kg	Basic Load Ratings kN		Fatigue Load Limit kN C_u	Factor f_0	With Pressed Steel Cover			With Cast Iron Cover							
	inch mm												Unit No.	Housing No.	Bearing No.		Open End Type	Closed End Type			Dimension		Mass kg	Open End Type	Closed End Type	Dimension		Mass kg			
	H	L	A	J	N	A_1	A_2	A_0	B	S	mm										mm	mm				inch	mm		inch	mm	inch
90 3 1/2	15 5/32	9 1/4	3	12 13/32	1 1/2	1 13/32	1 47/64	3 15/16	3.780	1.575	1 1/4	M33	UCFL318-56 UCFL318	FL318	UC318-56 UC318	19.0 19.0	143	107	4.11	13.3	-	-	-	-	-	-	-	-	-	-	-
	385	235	76	315	38	36	44	100	96	40	M33										UCFL318C	UCFL318D	119	4 11/16	20.9						
95 -	15 15/16	9 27/32	3 11/16	13	1 39/64	1 9/16	2 21/64	4 3/4	4.055	1.614	1 3/8	M36	UCFL319	FL319	UC319	24.6	153	119	4.45	13.3	-	-	-	-	-	-	-	-	-	-	-
	405	250	94	330	41	40	59	121	103	41	M36										UCFL319C	UCFL319D	140	5 1/2	26.8						
100 3 15/16 4	17 5/16	10 5/8	3 11/16	14 11/64	1 47/64	1 9/16	2 21/64	4 29/32	4.252	1.654	1 1/2	M39	UCFL320 UCFL320-63 UCFL320-64	FL320	UC320 UC320-63 UC320-64	29.4 29.4 29.4	173	141	5.08	13.2	-	-	-	-	-	-	-	-	-	-	-
	440	270	94	360	44	40	59	125	108	42	M39										UCFL320C	UCFL320D	146	5 3/4	32.2						
	470	300	96	390	44	42	60	131	117	46	M39										-	-	-	-	-	-	-	-	-	-	-
110 -	18 1/2	11 13/16	3 25/32	15 23/64	1 47/64	1 21/32	2 23/64	5 9/32	4.606	1.811	1 1/2	M39	UCFL322	FL322	UC322	36.2	205	180	6.15	13.2	-	-	-	-	-	-	-	-	-	-	-
	470	300	96	390	44	42	60	131	117	46	M39										UCFL322C	UCFL322D	154	6 1/16	39.6						
120 -	20 15/32	13	4 11/32	16 59/64	1 27/32	1 7/8	2 9/16	5 1/2	4.961	2.008	1 5/8	M42	UCFL324	FL324	UC324	51.6	207	185	6.10	13.5	-	-	-	-	-	-	-	-	-	-	-
	520	330	110	430	47	48	65	140	126	51	M42										UCFL324C	UCFL324D	163	6 13/32	56.4						

Remarks 1. In Part No. of unit and units with covers, fitting codes follow bore diameter numbers. (See Table 2.5 in P.11.)

2. Part No. of applicable grease nipples are shown below.

A-1/4-28UNF 201~210, X05~X09, 305~308

A-R1/8 211~218, X10, 309~324

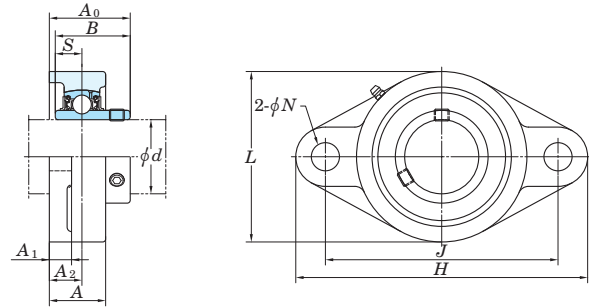
3. As for the triple-lip seal type product (from 201 to 205 are the double-lip seal type products), supplementary code L3 (or L2) follows the Part No. of unit or bearing. (Example of Part No. : UCFL206JL3, UC206L3)

4. For the dimensions and forms of applicable bearings, see the dimensional tables of ball bearing for unit.

5. Housings of spheroidal graphite iron casting are also available.

Rhombic-flanged type

UCFL-E
Cylindrical bore (with set screws)
 d 12 ~ 75 mm



Variations of tolerance of distance from mounting surface to center of spherical bore (ΔA_{2s}) and tolerance of position of bolt hole (X)

Housing No.	ΔA_{2s}	X
FL203E-FL210E	± 0.5	0.7
FL211E-FL217E	± 0.8	1

Variations of tolerance of bolt hole diameter (ΔN_s)

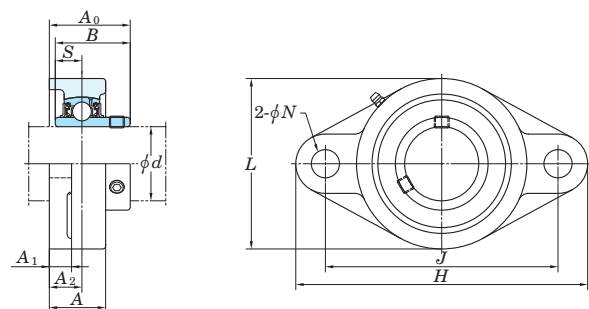
Housing No.	ΔN_s
FL203E-FL217E	± 0.2

Shaft Dia. mm inch d	Dimensions inch mm										Bolt Size inch	Unit No.	Housing No.	Bearing No.	Basic Load Ratings kN		Fatigue Load Limit kN C_u	Factor f_0	Mass kg
	H	L	A	J	N	A_1	A_2	A_0	B	S					C_r	C_{0r}			
12 1/2											5/16	UCFL201E UCFL201-8E UCFL202E UCFL202-10E UCFL203E	FL203E	UC201 UC201-8 UC202 UC202-10 UC203	12.8	6.65	0.302	13.2	0.42 0.4 0.39
15 5/8	3 27/32 98	2 7/32 56	1 25.5	3 76.2	25/64 10	7/16 11	19/32 15	1 5/16 33.3	1.220 31	0.500 12.7	5/16	UCFL204-12E UCFL204E	FL204E	UC204-12 UC204	12.8	6.65	0.302	13.2	0.48
17											5/16	UCFL205-14E UCFL205-15E UCFL205E UCFL205-16E	FL205E	UC205-14 UC205-15 UC205 UC205-16	14.0	7.85	0.357	13.9	0.64
20 3/4	4 7/16 113	2 3/8 60	1 25.5	3 17/32 89.7	25/64 10	7/16 11	19/32 15	1 5/16 33.3	1.220 31	0.500 12.7	5/16	UCFL206-18E UCFL206E UCFL206-19E UCFL206-20E	FL206E	UC206-18 UC206 UC206-19 UC206-20	19.5	11.3	0.514	13.9	0.93
25 7/8 15/16 1	5 1/8 130	2 11/16 68	1 1/16 27	3 57/64 98.8	15/32 12	1/2 13	5/8 16	1 13/32 35.8	1.343 34.1	0.563 14.3	3/8	UCFL207-20E UCFL207-21E UCFL207-22E UCFL207E UCFL207-23E	FL207E	UC207-20 UC207-21 UC207-22 UC207 UC207-23	25.7	15.4	0.700	13.9	1.2
30 1 1/8 1 3/16 1 1/4	5 13/16 148	3 5/32 80	1 7/32 31	4 19/32 116.7	15/32 12	1/2 13	45/64 18	1 19/32 40.2	1.500 38.1	0.626 15.9	3/8	UCFL208-24E UCFL208-25E UCFL208E	FL208E	UC208-24 UC208-25 UC208	29.1	17.8	0.809	14.0	1.6
35 1 1/4 1 5/16 1 3/8 1 7/16	6 11/32 161	3 17/32 90	1 11/32 34	5 1/8 130.2	33/64 13	9/16 14	3/4 19	1 3/4 44.4	1.689 42.9	0.689 17.5	7/16	UCFL209-26E UCFL209-27E UCFL209-28E UCFL209E	FL209E	UC209-26 UC209-27 UC209-28 UC209	34.1	21.3	0.968	14.0	1.9
40 1 1/2 1 9/16	6 7/8 175	3 15/16 100	1 13/32 36	5 21/32 143.7	33/64 13	9/16 14	53/64 21	2 1/32 51.2	1.937 49.2	0.748 19	7/16	UCFL210-30E UCFL210-31E UCFL210E UCFL210-32E	FL210E	UC210-30 UC210-31 UC210 UC210-32	35.1	23.3	1.06	14.4	2.2
45 1 5/8 1 11/16 1 3/4	7 13/32 188	4 1/4 108	1 1/2 38	5 27/32 148.4	19/32 15	19/32 15	55/64 22	2 1/16 52.2	1.937 49.2	0.748 19	1/2	UCFL211-32E UCFL211-34E UCFL211E UCFL211-35E	FL211E	UC211-32 UC211-34 UC211 UC211-35	43.4	29.4	1.34	14.4	3.3
50 1 7/8 1 15/16 2 2	7 3/4 197	4 17/32 115	1 9/16 40	6 3/16 157	19/32 15	19/32 15	55/64 22	2 5/32 54.6	2.031 51.6	0.748 19	1/2	UCFL212-36E UCFL212E UCFL212-38E UCFL212-39E	FL212E	UC212-36 UC212 UC212-38 UC212-39	52.4	36.2	1.65	14.4	4.2
55 2 1/8 2 3/16 2 1/4	8 13/16 224	5 1/8 130	1 11/16 43	7 1/4 184	21/32 16.5	23/32 18	63/64 25	2 5/16 58.4	2.189 55.6	0.874 22.2	9/16	UCFL213-40E UCFL213E	FL213E	UC213-40 UC213	57.2	40.1	1.82	14.4	5.2
60 2 3/8 2 7/16	9 27/32 250	5 1/2 140	1 7/8 48	7 61/64 202	21/32 16.5	23/32 18	1 9/64 29	2 23/32 68.7	2.563 65.1	1.000 25.4	9/16	UCFL214-44E UCFL214E	FL214E	UC214-44 UC214	62.2	44.1	2.01	14.5	5.7
65 2 1/2	10 5/32 258	6 3/32 155	1 31/32 50	8 17/64 210	21/32 16.5	25/32 20	1 3/16 30	2 3/4 69.7	2.563 65.1	1.000 25.4	9/16	UCFL215-47E UCFL215E UCFL215-48E	FL215E	UC215-47 UC215 UC215-48	67.4	48.3	2.17	14.5	6.4
70 2 3/4	10 7/16 265	6 5/16 160	2 1/8 54	8 1/2 216	21/32 16.5	25/32 20	1 7/32 31	2 31/32 75.4	2.937 74.6	1.189 30.2	9/16								
75 2 15/16 3	10 13/16 275	6 1/2 165	2 7/32 56	8 55/64 225	3/4 19	25/32 20	1 11/32 34	3 3/32 78.5	3.063 77.8	1.311 33.3	11/16								

Remarks 1. In Part No. of unit, fitting codes follow bore diameter numbers. (See Table 2.5 in P.11.)
2. Part No. of applicable grease nipples are shown below.
A-1/4-28UNF 201~210
A-R1/8 211~217

3. As for the triple-lip seal type product (from 201 to 205 are the double-lip seal type products), supplementary code L3 (or L2) follows the Part No. of unit or bearing. (Example of Part No. : UCFL206EJL3, UC206L3)
4. For the dimensions and forms of applicable bearings, see the dimensional tables of ball bearing for unit.
5. Housings of spheroidal graphite iron casting are also available.

UCFL-E
Cylindrical bore (with set screws)
d 80 ~ 85 mm



Variations of tolerance of distance from mounting surface to center of spherical bore (ΔA_{2s}) and tolerance of position of bolt hole (X)

Housing No.	ΔA_{2s}	X
FL203E-FL210E	± 0.5	0.7
FL211E-FL217E	± 0.8	1

Unit: mm

Variations of tolerance of bolt hole diameter (ΔN_s)

Housing No.	ΔN_s
FL203E-FL217E	± 0.2

Unit: mm

Shaft Dia. mm inch	Dimensions											Bolt Size inch	Unit No.	Housing No.	Bearing No.	Basic Load Ratings		Fatigue Load Limit	Factor	Mass
	<i>H</i>	<i>L</i>	<i>A</i>	<i>J</i>	<i>N</i>	<i>A</i> ₁	<i>A</i> ₂	<i>A</i> ₀	<i>B</i>	<i>S</i>	<i>C</i> _r					<i>C</i> _{0r}	<i>C</i> _u			
80 3 1/8	11 13/32	7 3/32	2 9/32	9 11/64	3/4	25/32	1 11/32	3 9/32	3.252	1.311	11/16	UCFL216-50E UCFL216E	FL216E	UC216-50 UC216	72.7	53.0	2.30	14.6	7.8	
	290	180	58	233	19	20	34	83.3	82.6	33.3										
85 3 1/4	12	7 15/32	2 15/32	9 49/64	3/4	7/8	1 27/64	3 7/16	3.374	1.343	11/16	UCFL217-52E UCFL217E	FL217E	UC217-52 UC217	84.0	61.9	2.60	14.5	9.8	
	305	190	63	248	19	22	36	87.6	85.7	34.1										

Remarks 1. In Part No. of unit, fitting codes follow bore diameter numbers. (See Table 2.5 in P.11.)

2. Part No. of applicable grease nipples are shown below.

A-1/4-28UNF 201-210

A-R1/8 211-217

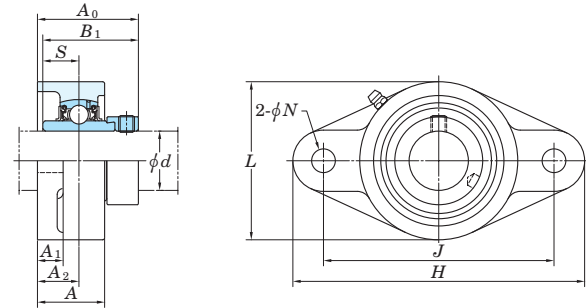
3. As for the triple-lip seal type product (from 201 to 205 are the double-lip seal type products), supplementary code L3 (or L2) follows the Part No. of unit or bearing. (Example of Part No. : UCFL206EJL3, UC206L3)

4. For the dimensions and forms of applicable bearings, see the dimensional tables of ball bearing for unit.

5. Housings of spheroidal graphite iron casting are also available.

Rhombic-flanged type

NANFL
Cylindrical bore
(with eccentric locking collar)
 d 12 ~ 55 mm



Variations of tolerance of distance from mounting surface to center of spherical bore (Δ_{A2s}) and tolerance of position of bolt hole (X)

Housing No.	Δ_{A2s}	X
NFL204-NFL210	± 0.5	0.7
NFL211	± 0.8	1

Variations of tolerance of bolt hole diameter (Δ_{Ns})

Housing No.	Δ_{Ns}
NFL204-NFL211	± 0.2

Shaft Dia mm inch d	Dimensions inch mm										Bolt Size inch	Unit No.	Housing No.	Bearing No.	Basic Load Ratings kN		Fatigue Load Limit kN C_u	Factor f_0	Mass kg	
	H	L	A	J	N	A_1	A_2	A_0	B_1	S					C_r	C_{0r}				
12 15 17 20	$1/2$ $5/8$ $3/4$																			
		$4 \frac{7}{16}$ 113	$2 \frac{3}{8}$ 60	$1 \frac{5}{32}$ 29.5	$3 \frac{17}{32}$ 89.7	$25/64$ 10	$7/16$ 11	$3/4$ 19	$1 \frac{25}{32}$ 45.6	1.720 43.7	0.673 17.1	$5/16$	NANFL201 NANFL201-8 NANFL202 NANFL202-10 NANFL203 NANFL204-12 NANFL204	NFL204	NA201 NA201-8 NA202 NA202-10 NA203 NA204-12 NA204	12.8	6.65	0.302	13.2	0.59
25	$7/8$ $15/16$ 1	$5 \frac{1}{8}$ 130	$2 \frac{11}{16}$ 68	$1 \frac{7}{32}$ 31	$3 \frac{57}{64}$ 98.8	$15/32$ 12	$1/2$ 13	$25/32$ 20	$1 \frac{27}{32}$ 46.9	1.748 44.4	0.689 17.5	$3/8$	NANFL205-14 NANFL205-15 NANFL205 NANFL205-16	NFL205	NA205-14 NA205-15 NA205 NA205-16	14.0	7.85	0.357	13.9	0.9
30	$1 \frac{1}{8}$ $1 \frac{3}{16}$ $1 \frac{1}{4}$	$5 \frac{13}{16}$ 148	$3 \frac{5}{32}$ 80	$1 \frac{11}{32}$ 34	$4 \frac{19}{32}$ 116.7	$15/32$ 12	$1/2$ 13	$53/64$ 21	2 51.1	1.906 48.4	0.720 18.3	$3/8$	NANFL206-18 NANFL206 NANFL206-19 NANFL206-20	NFL206	NA206-18 NA206 NA206-19 NA206-20	19.5	11.3	0.514	13.9	1.1
35	$1 \frac{1}{4}$ $1 \frac{5}{16}$ $1 \frac{3}{8}$ $1 \frac{7}{16}$	$6 \frac{11}{32}$ 161	$3 \frac{17}{32}$ 90	$1 \frac{7}{16}$ 36.5	$5 \frac{1}{8}$ 130.2	$33/64$ 13	$9/16$ 14	$27/32$ 21.5	$2 \frac{1}{8}$ 53.8	2.012 51.1	0.740 18.8	$7/16$	NANFL207-20 NANFL207-21 NANFL207-22 NANFL207 NANFL207-23	NFL207	NA207-20 NA207-21 NA207-22 NA207 NA207-23	25.7	15.4	0.700	13.9	1.6
40	$1 \frac{1}{2}$ $1 \frac{9}{16}$	$6 \frac{7}{8}$ 175	$3 \frac{15}{16}$ 100	$1 \frac{17}{32}$ 39	$5 \frac{21}{32}$ 143.7	$33/64$ 13	$9/16$ 14	$15/16$ 24	$2 \frac{5}{16}$ 58.9	2.217 56.3	0.843 21.4	$7/16$	NANFL208-24 NANFL208-25 NANFL208	NFL208	NA208-24 NA208-25 NA208	29.1	17.8	0.809	14.0	2.0
45	$1 \frac{5}{8}$ $1 \frac{11}{16}$ $1 \frac{3}{4}$	$7 \frac{13}{32}$ 188	$4 \frac{1}{4}$ 108	$1 \frac{9}{16}$ 40	$5 \frac{27}{32}$ 148.4	$19/32$ 15	$9/16$ 14	$15/16$ 24	$2 \frac{5}{16}$ 58.9	2.217 56.3	0.843 21.4	$1/2$	NANFL209-26 NANFL209-27 NANFL209-28 NANFL209	NFL209	NA209-26 NA209-27 NA209-28 NA209	34.1	21.3	0.968	14.0	2.3
50	$1 \frac{7}{8}$ $1 \frac{15}{16}$ 2	$7 \frac{3}{4}$ 197	$4 \frac{17}{32}$ 115	$1 \frac{27}{32}$ 46.5	$6 \frac{3}{16}$ 157	$19/32$ 15	$9/16$ 14	$1 \frac{1}{8}$ 28.5	$2 \frac{5}{8}$ 66.6	2.469 62.7	0.969 24.6	$1/2$	NANFL210-30 NANFL210-31 NANFL210 NANFL210-32	NFL210	NA210-30 NA210-31 NA210 NA210-32	35.1	23.3	1.06	14.4	2.7
55	2 $2 \frac{1}{8}$ $2 \frac{3}{16}$	$8 \frac{13}{16}$ 224	$5 \frac{1}{8}$ 130	$1 \frac{31}{32}$ 50	$7 \frac{1}{4}$ 184	$21/32$ 16.5	$25/32$ 20	$1 \frac{17}{64}$ 32	$2 \frac{31}{32}$ 75.6	2.811 71.4	1.094 27.8	$9/16$	NANFL211-32 NANFL211-34 NANFL211 NANFL211-35	NFL211	NA211-32 NA211-34 NA211 NA211-35	43.4	29.4	1.34	14.4	4.1

Remarks 1. In Part No. of unit and units with covers, fitting codes follow bore diameter numbers. (See Table 2.5 in P.11.)

2. Part No. of applicable grease nipples are shown below.

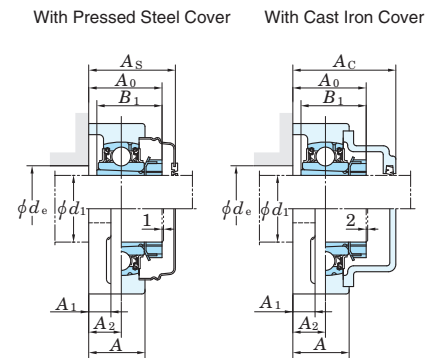
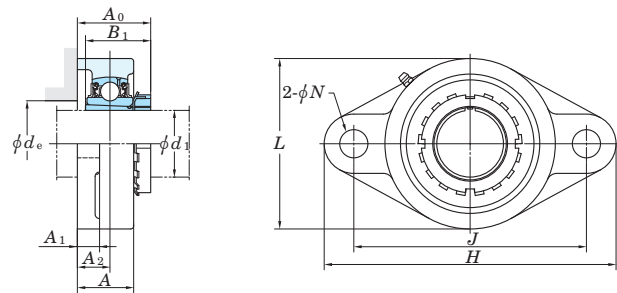
A-1/4-28UNF 201~210

A-R1/8 211

3. For the dimensions and forms of applicable bearings, see the dimensional tables of ball bearing for unit.

4. Housings of spheroidal graphite iron casting are also available.

UKFL
Tapered bore (with adapter)
 d_1 20 ~ 50 mm

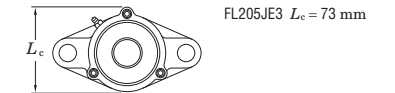


Variations of tolerance of distance from mounting surface to center of spherical bore (ΔA_{2s}) and tolerance of position of bolt hole (X)

Housing No.			ΔA_{2s}	X
FL205-FL210	FLX05-FLX10	FL305-FL310	± 0.5	0.7
FL211-FL218		FL311-FL324	± 0.8	1

Housing No.			ΔN_s	Unit: mm
FL205-FL218	FLX05-FLX10	FL305-FL311	± 0.2	
		FL312-FL324	± 0.3	

Forms and dimensions of L_c of FL205JE3 (housing with cast iron cover) are shown below.



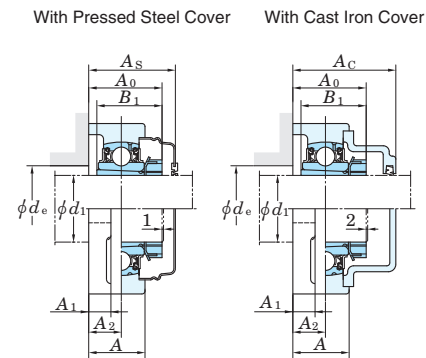
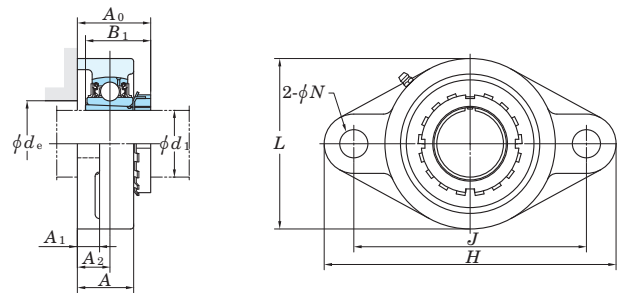
Shaft Dia. mm inch	Dimensions inch mm											Bolt Size inch mm	Standard			Adapter Assembly No.	Mass kg	Basic Load Ratings kN		Fatigue Load Limit kN	Factor f_0	With Pressed Steel Cover			With Cast Iron Cover		
	d_1	H	L	A	J	N	A ₁	A ₂	A ₀	B ₁	d_e (min.)		Unit No.	Housing No.	Bearing No.			C _r	C _{0r}			C _u	Unit No.	Dimension mm inch	Mass kg	Unit No.	Dimension mm inch
20	3/4	5 1/8	2 11/16	1 1/16	3 57/64	5/8	1/2	5/8	1 13/32	1 3/8	1 3/16	1/2	UKFL205	FL205	UK205												
		130	68	27	99	16	13	16	36	35	30	M14	UKFLX05	FLX05	UKX05												
		141	83	30	117	12	13	18	39.5	35	30	M10	UKFL305	FL305	UK305												
25	1	5 13/16	3 5/32	1 7/32	4 39/64	5/8	1/2	45/64	1 9/16	1 1/2	1 13/32	3/8	UKFL206	FL206	UK206												
		148	80	31	117	16	13	18	39.5	38	36	M14	UKFLX06	FLX06	UKX06												
		156	95	34	130	16	14	19	42	38	36	M14	UKFL306	FL306	UK306												
30	1 1/8	6 11/32	3 17/32	1 11/32	5 1/8	5/8	9/16	3/4	1 11/16	1 11/16	1 5/8	3/8	UKFL207	FL207	UK207												
		161	90	34	130	16	14	19	43	43	41	M14	UKFLX07	FLX07	UKX07												
		171	105	38	144	16	14	21	47	43	41	M14	UKFL307	FL307	UK307												
35	1 1/4	6 7/8	3 15/16	1 13/32	5 43/64	5/8	9/16	53/64	1 7/8	1 13/16	1 13/16	3/8	UKFL208	FL208	UK208												
		175	100	36	144	16	14	21	48	46	46	M14	UKFLX08	FLX08	UKX08												
		179	111	40	148	16	14	22	50.5	46	46	M14	UKFL308	FL308	UK308												
40	1 1/2	7 13/32	4 1/4	1 1/2	5 53/64	3/4	19/32	55/64	2	1 31/32	2 1/16	5/8	UKFL209	FL209	UK209												
		188	108	38	148	19	15	22	51	50	52	M16	UKFLX09	FLX09	UKX09												
		189	116	40	157	16	14	23	52	50	52	M14	UKFL309	FL309	UK309												
45	1 3/4	7 3/4	4 17/32	1 9/16	6 3/16	3/4	19/32	55/64	2 1/16	2 5/32	2 9/32	5/8	UKFL210	FL210	UK210												
		197	115	40	157	19	15	22	52	55	58	M16	UKFLX10	FLX10	UKX10												
		216	133	44	184	19	20	26	58	55	58	M16	UKFL310	FL310	UK310												
50	2	8 13/16	5 1/8	1 11/16	7 1/4	3/4	23/32	63/64	2 1/4	2 5/16	2 17/32	5/8	UKFL211	FL211	UK211												
		224	130	43	184	19	18	25	57.5	59	64	M16	UKFLX11	FLX11	UKX11												
		250	150	52	198	25	20	30	64	59		M22	UKFL311	FL311	UK311												

Remarks 1. In Part No. of unit and units with covers, fitting codes follow bore diameter numbers. (See Table 2.5 in P.11.)
2. Part No. of applicable grease nipples are shown below.
A-1/4-28UNF..... 205-210, X05-X09, 305-308
A-R1/8..... 211-218, X10, 309-324

3. In Part No. of unit with adapters and bearing with adapters, Part No. of applicable adapter follow the Part No. shown in the dimensional tables.
(Example of Part No. : UKFL206J + H2306X, UK206 + H2306X)
4. As for the triple-lip seal type product (205 is the double-lip seal type product), supplementary code L3 (or L2) follows the Part No. of unit or bearing.
(Example of Part No. : UKFL206JL3 + H2306X, UK206L3 + H2306X)
5. For the dimensions and forms of applicable bearings and adapters, see the dimensional tables of ball bearing for unit and adapter assemblies.
6. Housings of spheroidal graphite iron casting are also available.

Rhombic-flanged type

UKFL
Tapered bore (with adapter)
d₁ 55 ~ 110 mm

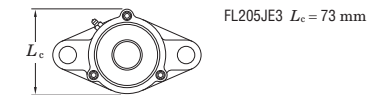


Variations of tolerance of distance from mounting surface to center of spherical bore (ΔA_{2s}) and tolerance of position of bolt hole (X)

Housing No.			ΔA_{2s}	X
FL205-FL210	FLX05-FLX10	FL305-FL310	±0.5	0.7
FL211-FL218		FL311-FL324	±0.8	1

Housing No.			ΔN_s
FL205-FL218	FLX05-FLX10	FL305-FL311	±0.2
		FL312-FL324	±0.3

Variations of tolerance of bolt hole diameter (ΔN_s) Unit: mm



Shaft Dia. mm inch	Dimensions											Bolt Size inch mm	Standard			Basic Load Ratings kN	Fatigue Load Limit kN	Factor	With Pressed Steel Cover			With Cast Iron Cover													
	inch mm												Unit No.	Housing No.	Bearing No.				Adapter Assembly No.	Mass kg	C _r	C _{0r}	C _u	f ₀	Unit No.		Dimension mm inch	Mass kg	Unit No.		Dimension mm inch	Mass kg			
	d ₁	H	L	A	J	N	A ₁	A ₂	A ₀	B ₁	d _e (min.)														Open End Type	Closed End Type			A _s	Open End Type			Closed End Type	A _c	
55	2 1/8	9 27/32	5 1/2	1 7/8	7 61/64	29/32	23/32	1 9/64	2 19/32	2 7/16	2 23/32	3/4	UKFL212	FL212	UK212	HS2312X H2312X	4.1 4.1	52.4 36.2	1.65	14.4	-	-	-	-	-	-	-	-	-	-	-	-	-	-	
	2 1/8	10 5/8	6 5/16	2 7/32	8 11/32	1 7/32	7/8	1 19/64	2 3/4	2 7/16	-	1	UKFL312	FL312	UK312	HS2312X H2312X	6.9 6.9	81.9 52.2	2.37	13.2	-	-	-	-	-	-	-	-	-	-	-	-	-	-	-
60	2 1/4	10 5/32	6 3/32	1 31/32	8 17/64	29/32	25/32	1 3/16	2 21/32	2 9/16	2 29/32	3/4	UKFL213	FL213	UK213	HE2313X H2313X	5.0 5.0	57.2 40.1	1.82	14.4	-	-	-	-	-	-	-	-	-	-	-	-	-	-	
	2 3/8	11 5/8	6 7/8	2 9/32	9 29/64	1 7/32	31/32	1 19/64	2 13/16	2 9/16	-	1	UKFL313	FL313	UK313	HE2313X H2313X	8.6 8.6	92.7 59.9	2.68	13.2	-	-	-	-	-	-	-	-	-	-	-	-	-	-	-
65	2 1/2	10 13/16	6 1/2	2 7/32	8 55/64	29/32	25/32	1 11/32	2 15/16	2 7/8	3 11/32	3/4	UKFL215	FL215	UK215	HE2315X H2315X	6.6 6.6	67.4 48.3	2.17	14.5	-	-	-	-	-	-	-	-	-	-	-	-	-	-	-
	2 1/2	12 19/32	7 11/16	2 19/32	10 15/64	1 3/8	1 3/16	1 17/32	2 7/32	2 7/8	-	1 1/8	UKFL315	FL315	UK315	HE2315X H2315X	11.4 11.4	113 77.2	3.24	13.2	-	-	-	-	-	-	-	-	-	-	-	-	-	-	-
70	2 3/4	11 13/32	7 3/32	2 9/32	9 11/64	63/64	25/32	1 11/32	3 3/32	3 1/16	3 17/32	7/8	UKFL216	FL216	UK216	HE2316X H2316X	8.1 8.1	72.7 53.0	2.30	14.6	-	-	-	-	-	-	-	-	-	-	-	-	-	-	-
	2 3/4	13 31/32	8 9/32	2 11/16	11 7/32	1 1/2	1 1/4	1 1/2	3 1/4	3 1/16	-	1 1/4	UKFL316	FL316	UK316	HE2316X H2316X	13.9 13.9	123 86.7	3.53	13.3	-	-	-	-	-	-	-	-	-	-	-	-	-	-	-
75	3	12	7 15/32	2 15/32	9 49/64	63/64	7/8	1 27/64	3 1/4	3 7/32	3 25/32	7/8	UKFL217	FL217	UK217	H2317X H2317X	9.9 9.9	84.0 61.9	2.60	14.5	-	-	-	-	-	-	-	-	-	-	-	-	-	-	-
	3	14 9/16	8 21/32	2 29/32	11 13/16	1 1/2	1 1/4	1 47/64	3 5/8	3 7/32	-	1 1/4	UKFL317	FL317	UK317	H2317X HE2317X	15.8 15.8	133 96.8	3.82	13.3	-	-	-	-	-	-	-	-	-	-	-	-	-	-	-
80	-	12 19/32	8 1/16	2 11/16	10 7/16	63/64	29/32	1 37/64	3 17/32	3 3/8	4 1/32	7/8	UKFL218	FL218	UK218	H2318X	12.2	96.1 71.5	2.91	14.5	-	-	-	-	-	-	-	-	-	-	-	-	-	-	-
	-	15 5/32	9 1/4	3	12 13/32	1 1/2	1 13/32	1 47/64	3 5/8	3 3/8	-	1 1/4	UKFL318	FL318	UK318	H2318X	19.1	143 107	4.11	13.3	-	-	-	-	-	-	-	-	-	-	-	-	-	-	-
85	3 1/4	15 15/16	9 27/32	3 11/16	13	1 39/64	1 9/16	2 21/64	4 3/8	3 17/32	-	1 3/8	UKFL319	FL319	UK319	HE2319X H2319X	24.9 24.9	153 119	4.45	13.3	-	-	-	-	-	-	-	-	-	-	-	-	-	-	-
	3 1/2	17 5/16	10 5/8	3 11/16	14 11/64	1 47/64	1 9/16	2 21/64	4 7/16	3 13/16	-	1 1/2	UKFL320	FL320	UK320	HE2320X H2320X	29.0 29.0	173 141	5.08	13.2	-	-	-	-	-	-	-	-	-	-	-	-	-	-	-
100	-	18 1/2	11 13/16	3 25/32	15 23/64	1 47/64	1 21/32	2 23/64	4 23/32	4 1/8	-	1 1/2	UKFL322	FL322	UK322	H2322X HE2322X	36.1 36.1	205 180	6.15	13.2	-	-	-	-	-	-	-	-	-	-	-	-	-	-	-
	4	20 15/32	13	4 11/32	16 59/64	1 27/32	1 7/8	2 9/16	5 1/8	4 13/32	-	1 5/8	UKFL324	FL324	UK324	H2324	51.9	207 185	6.10	13.5	-	-	-	-	-	-	-	-	-	-	-	-	-	-	
110	-	520	330	110	430	47	48	65	130.5	112	-	M42																							

Remarks 1. In Part No. of unit and units with covers, fitting codes follow bore diameter numbers. (See Table 2.5 in P.11.)

2. Part No. of applicable grease nipples are shown below.

A-1/4-28UNF 205-210, X05-X09, 305-308

A-R1/8 211-218, X10, 309-324

3. In Part No. of unit with adapters and bearing with adapters, Part No. of applicable adapter follow the Part No. shown in the dimensional tables.

(Example of Part No. : UKFL206J + H2306X, UK206 + H2306X)

4. As for the triple-lip seal type product (205 is the double-lip seal type product), supplementary code L3 (or L2) follows the Part No. of unit or bearing.

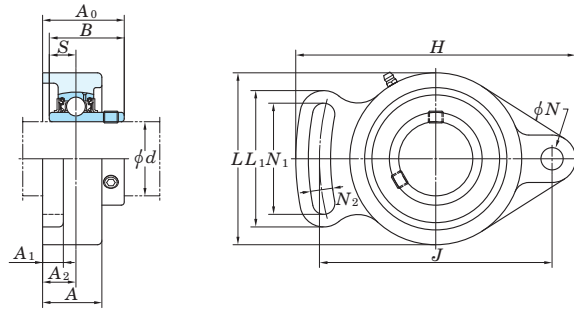
(Example of Part No. : UKFL206JL3 + H2306X, UK206L3 + H2306X)

5. For the dimensions and forms of applicable bearings and adapters, see the dimensional tables of ball bearing for unit and adapter assemblies.

6. Housings of spheroidal graphite iron casting are also available.

Adjustable rhombic-flanged type

UCFA
Cylindrical bore (with set screws)
d 12 ~ 55 mm



Variations of tolerance of distance from mounting surface to center of spherical bore (ΔA_{2s})

Housing No.	ΔA_{2s}
FA204-FA210	± 0.5
FA211	± 0.8

Variations of tolerance of bolt hole diameter (ΔN_b)

Housing No.	ΔN_b
FA204-FA211	± 0.2

Shaft Dia. mm inch d	Dimensions inch mm													Bolt Size inch mm	Unit No.	Housing No.	Bearing No.	Basic Load Ratings kN		Fatigue Load Limit kN C _u	Factor f ₀	Mass kg	
	H	L	A	J	N	N ₁	N ₂	L ₁	A ₁	A ₂	A ₀	B	S					C _r	C _{0r}				
12 1/2																UCFA201 UCFA201-8		UC201 UC201-8					0.47
15 5/8	3 27/32	2 5/16	1 5/16	3 5/64	2 5/64	1 9/16	1 3/32	1 31/32	7/16	3 5/64	1 1/4	1.220	0.500			UCFA202 UCFA202-10	FA204	UC202 UC202-10	12.8	6.65	0.302	13.2	0.45
17 3/4	98	59	24	78	10	40	10	50	11	13.8	32.1	31	12.7			UCFA203 UCFA204-12		UC203 UC204-12					0.44
20																UCFA204		UC204					0.42
25 7/8 15/16	4 7/8	2 3/4	1 1/16	3 55/64	7/16	1 15/16	7/16	2 17/32	1/2	5/8	1 13/32	1.343	0.563			UCFA205-14 UCFA205-15	FA205	UC205-14 UC205-15	14.0	7.85	0.357	13.9	0.68
25 1	124	70	27	98	11	49	11	64	13	16	35.8	34.1	14.3			UCFA205		UC205					
25 1																UCFA205-16		UC205-16					
30 1 1/8	5 9/16	3 9/32	1 3/16	4 39/64	7/16	2 7/32	1 5/32	2 11/16	1/2	4 5/64	1 9/16	1.500	0.626			UCFA206-18 UCFA206	FA206	UC206-18 UC206	19.5	11.3	0.514	13.9	1.0
30 1 3/16	141	83	30	117	11	56	12	68	13	17.8	40	38.1	15.9			UCFA206-19		UC206-19					
30 1 1/4																UCFA206-20		UC206-20					
35 1 1/4 1 5/16	6 3/32	3 25/32	1 11/32	5 1/8	3 3/64	2 15/32	1/2	2 15/16	9/16	4 7/64	1 23/32	1.689	0.689			UCFA207-20 UCFA207-21	FA207	UC207-20 UC207-21	25.7	15.4	0.700	13.9	1.5
35 1 3/8	155	96	34	130	13	63	13	75	14	18.6	44	42.9	17.5			UCFA207-22 UCFA207		UC207-22 UC207					
35 1 7/16																UCFA207-23		UC207-23					
40 1 1/2 1 9/16	6 23/32	4 1/8	1 1/2	5 43/64	3 3/64	2 3/4	1/2	3 5/16	9/16	1 3/16	2	1.937	0.748			UCFA208-24 UCFA208-25	FA208	UC208-24 UC208-25	29.1	17.8	0.809	14	1.9
40	171	105	38	144	13	70	13	84	14	20.8	51	49.2	19			UCFA208		UC208					
45 1 5/8 1 11/16	7 1/16	4 3/8	1 9/16	5 53/64	1 9/32	2 27/32	1 9/32	3 15/32	9/16	5 5/64	2 1/16	1.937	0.748			UCFA209-26 UCFA209-27	FA209	UC209-26 UC209-27	34.1	21.3	0.968	14	1.7
45 1 3/4	179	111	40	148	15	72	15	88	14	21.8	52	49.2	19			UCFA209-28 UCFA209		UC209-28 UC209					
50 1 7/8 1 15/16	7 7/16	4 9/16	1 9/16	6 3/16	1 9/32	2 15/16	1 9/32	3 5/8	9/16	5 7/64	2 5/32	2.031	0.748			UCFA210-30 UCFA210-31	FA210	UC210-30 UC210-31	35.1	23.3	1.06	14.4	2.0
50	189	116	40	157	15	75	15	92	14	22.5	55.1	51.6	19			UCFA210		UC210					
50																UCFA210-32		UC210-32					
55 2 2 1/8	8 1/2	5 1/4	1 23/32	7 1/4	5/8	3 3/8	5/8	4 1/32	2 5/32	1 1/64	2 5/16	2.189	0.874			UCFA211-32 UCFA211-34	FA211	UC211-32 UC211-34	43.4	29.4	1.34	14.4	3.6
55 2 3/16	216	133	44	184	16	86	16	102	20	25.7	59.1	55.6	22.2			UCFA211		UC211					
55																UCFA211-35		UC211-35					

Remarks 1. In Part No. of unit and units with covers, fitting codes follow bore diameter numbers. (See Table 2.5 in P.11.)

2. Part No. of applicable grease nipples are shown below.

- A-1/4-28UNF..... 201~210
- A-R1/8..... 211

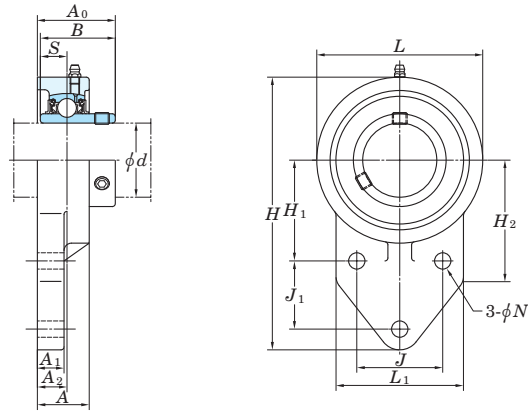
3. As for the triple-lip seal type product (from 201 to 205 are the double-lip seal type products), supplementary code L3 (or L2) follows Part No. of unit or bearing. (Example of Part No. : UCFA206JL3, UC206L3)

4. For the dimensions and forms of applicable bearings, see the dimensional tables of ball bearing for unit.

5. Tapered bore (with adapter) type products are also available. (Example of Part No. : UKFA205J + H2305X, UK205 + H2305X)

Three-bolt flange type

UCFB
Cylindrical bore (with set screws)
 d 12 ~ 50 mm



Variations of tolerance of distance from mounting surface to center of spherical bore (ΔA_{2s}), variations of tolerance of distance between centers of bolt holes (ΔJ_n , ΔJ_{1n}), variations of tolerance of distance between both grooves (ΔH_{1n})

Housing No.	ΔA_{2s}	ΔJ_n	ΔJ_{1n}	ΔH_{1n}
FB204-FB210	±0.5			

Variations of tolerance of bolt hole diameter (ΔN_s)

Housing No.	ΔN_s
FB204-FB210	±0.2

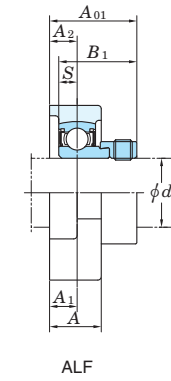
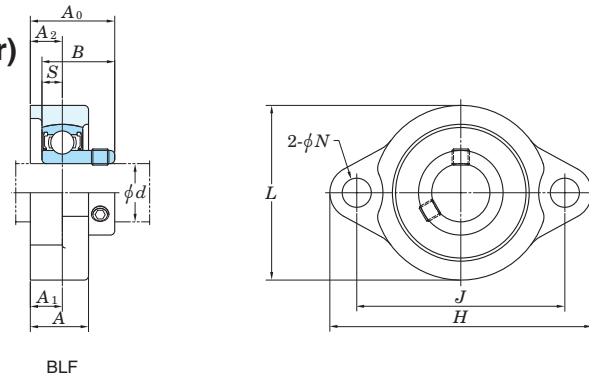
Shaft Dia. mm inch d	Dimensions inch mm															Bolt Size inch mm	Unit No.	Housing No.	Bearing No.	Basic Load Ratings kN		Fatigue Load Limit kN C_u	Factor f_0	Mass kg
	H	L	A	J	J_1	N	H_1	H_2	L_1	A_1	A_2	A_0	B	S	C_r					C_{0r}				
12 1/2																M8	UCFB201 UCFB201-8 UCFB202 UCFB202-10 UCFB203 UCFB204-12 UCFB204	FB204	UC201 UC201-8 UC202 UC202-10 UC203 UC204-12 UC204	12.8 6.65	0.302	13.2	0.64 0.62 0.61 0.59	
15 5/8	4 11/32	2 7/16	1 9/16	1 17/64	1 1/16	3/8	1 21/32	2 1/16	2 1/16	1/2	17/32	1 1/4	1.220	0.500		M8	UCFB205-14 UCFB205-15 UCFB205 UCFB205-16 UCFB206-18 UCFB206 UCFB206-19 UCFB206-20	FB205 FB206	UC205-14 UC205-15 UC205 UC205-16 UC206-18 UC206 UC206-19 UC206-20	14.0 7.85	0.357	13.9	0.68 0.92	
17 3/4	110	62	24.5	32	27	9.5	42	52	52	13	13.5	31.8	31	12.7		M8	UCFB207-20 UCFB207-21 UCFB207-22 UCFB207 UCFB207-23 UCFB208-24 UCFB208-25 UCFB208	FB207 FB208	UC207-20 UC207-21 UC207-22 UC207 UC207-23 UC208-24 UC208-25 UC208	25.7 15.4	0.700	13.9	1.3	
20															M8	UCFB209-26 UCFB209-27 UCFB209-28 UCFB209	FB209	UC209-26 UC209-27 UC209-28 UC209	34.1 21.3	0.968	14.0	2.0		
25 7/8 15/16	4 9/16	2 11/16	1 1/16	1 11/32	1 1/16	3/8	1 49/64	2 1/16	2 7/32	1/2	19/32	1 3/8	1.343	0.563		M8	UCFB210-30 UCFB210-31 UCFB210	FB210	UC210-30 UC210-31 UC210	35.1 23.3	1.06	14.4	2.3	
30 1 1/8	5 1/8	3 1/16	1 3/16	1 37/64	1 9/64	3/8	1 31/32	2 5/32	2 9/16	1/2	43/64	1 17/32	1.500	0.626		M8								
35 1 1/4 1 5/16 1 3/8	5 21/32	3 17/32	1 5/16	1 13/16	1 17/64	3/8	2 11/64	2 7/16	2 3/4	19/32	3/4	1 3/4	1.689	0.689		M8								
40 1 1/2 1 9/16	6 15/32	3 15/16	1 3/8	1 31/32	1 39/64	7/16	2 23/64	2 27/32	3 1/16	5/8	25/32	1 31/32	1.937	0.748		M10								
45 1 5/8 1 11/16 1 3/4	6 27/32	4 3/16	1 3/8	2 1/8	1 11/16	7/16	2 9/16	3	3 5/32	23/32	25/32	1 31/32	1.937	0.748		M10								
50 1 7/8 1 15/16 2	7 1/4	4 13/32	1 7/16	2 9/32	1 13/16	7/16	2 43/64	3 7/32	3 3/8	23/32	25/32	2 1/16	2.031	0.748		M10								

Remarks 1. In Part No. of unit and units with covers, fitting codes follow bore diameter codes. (See Table 2.5 in P.11.)
2. Part No. of applicable grease nipple is A-1/4-28UNF.
3. As for the triple-lip seal type product (from 201 to 205 are the double-lip seal type products), supplementary code L3 (or L2) follows Part No. of unit or bearing. (Example of Part No. : UCFB206JL3, UC206L3)

4. For the dimensions and forms of applicable bearings, see the dimensional tables of ball bearing for unit.
5. Tapered bore (with adapter) type products are also available. (Example of Part No. : UKFB205J + H2305X, UK205 + H2305X)

Light duty rhombic-flanged type

BLF Cylindrical bore (with set screws)
ALF Cylindrical bore (with eccentric locking collar)
 d 12 ~ 35 mm



Variations of tolerance of distance from mounting surface to center of spherical bore (ΔA_{2s}) and variations of tolerance of distance between centers of bolt holes (ΔJ_s)

Housing No.	ΔA_{2s}	ΔJ_s
LF203-LF207	± 0.5	± 0.7

Unit: mm

Variations of tolerance of bolt hole diameter (ΔN_s)

Housing No.	ΔN_s
LF203-LF207	± 0.2

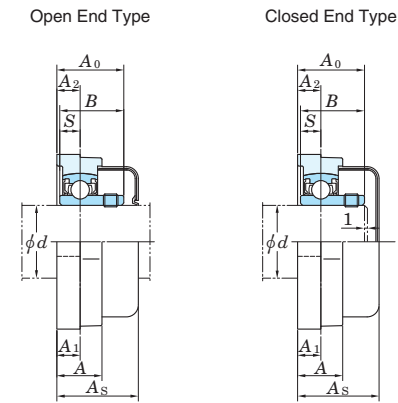
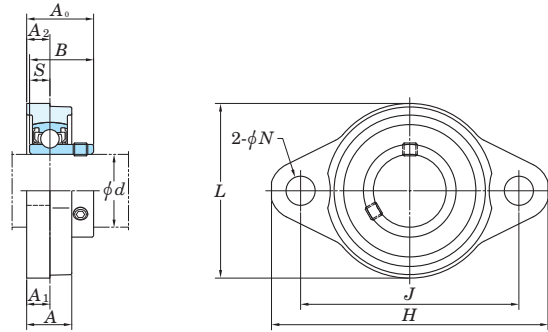
Unit: mm

Shaft Dia. mm inch	Dimensions													Bolt Size inch mm	Unit No.	Bearing No.	Unit No.	Bearing No.	Housing No.	Basic Load Ratings		Fatigue Load Limit kN	Factor f_0	Mass	
	inch mm																			C_r	C_{0r}			BLF	ALF
d	H	L	A	J	N	A_1	A_2	S	BLF		ALF														
12 1/2	3 3/16	2 1/16	23/32	2 1/2	5/16	3/8	3/8	0.236	1	0.866	1 1/4	1.122	1/4	BLF201	SB201	ALF201	SA201								
15 5/8	81	52	18	63.5	8	9.5	9.5	6	25.5	22	32	28.5	M6	BLF201-8 BLF202 BLF202-10 BLF203	SB201-8 SB202 SB202-10 SB203	ALF201-8 ALF202 ALF202-10 ALF203	SA201-8 SA202 SA202-10 SA203	LF203	9.55	4.80	0.218	13.2	0.25	0.28	
17																									
20 3/4	3 17/32	2 3/8	25/32	2 13/16	25/64	7/16	7/16	0.276	1 5/32	0.984	1 5/16	1.161	5/16	BLF204-12 BLF204	SB204-12 SB204	ALF204-12 ALF204	SA204-12 SA204	LF204	12.8	6.65	0.302	13.2	0.33	0.33	
25 7/8 15/16	3 3/4	2 17/32	25/32	2 63/64	25/64	7/16	7/16	0.295	1 3/16	1.063	1 11/32	1.201	5/16	BLF205-14 BLF205-15 BLF205 BLF205-16	SB205-14 SB205-15 SB205 SB205-16	ALF205-14 ALF205-15 ALF205 ALF205-16	SA205-14 SA205-15 SA205 SA205-16	LF205	14.0	7.85	0.357	13.9	0.38	0.42	
30 1 1/8	4 7/16	3	7/8	3 9/16	15/32	15/32	15/32	0.315	1 11/32	1.181	1 1/2	1.335	3/8	BLF206-18 BLF206 BLF206-19 BLF206-20 BLF207-20	SB206-18 SB206 SB206-19 SB206-20 SB207-20	ALF206-18 ALF206 ALF206-19 ALF206-20 ALF207-20	SA206-18 SA206 SA206-19 SA206-20 SA207-20	LF206	19.5	11.3	0.514	13.9	0.57	0.60	
35 1 1/4 1 5/16 1 3/8 1 7/16	4 13/16	3 1/2	15/16	3 15/16	15/32	1/2	33/64	0.335	1 7/16	1.260	1 5/8	1.437	3/8	BLF207-22 BLF207 BLF207-23	SB207-22 SB207 SB207-23	ALF207-21 ALF207-22 ALF207 ALF207-23	SA207-21 SA207-22 SA207 SA207-23	LF207	25.7	15.4	0.700	13.9	0.77	0.85	

Remarks 1. In Part No. of unit and units with covers, fitting codes follow bore diameter codes. (See Table 2.5 in P.11.)
 2. Allowable load to housing in radial direction is approximately half of basic load rating of bearing, C_r (when safety factor is 4).
 3. For the dimensions and forms of applicable bearings, see the dimensional tables of ball bearing for unit.

“Compact” series rhombic-flanged type

UFL
Cylindrical bore (with set screws)
 $d \sim 8 \sim 30 \text{ mm}$



Variations of tolerance of distance from mounting surface to center of spherical bore (ΔA_{2s}) and variations of tolerance of distance between centers of bolt holes (ΔJ_s)

Housing No.	ΔA_{2s}	ΔJ_s
FL08	±0.5	±0.3
FL000-FL006		

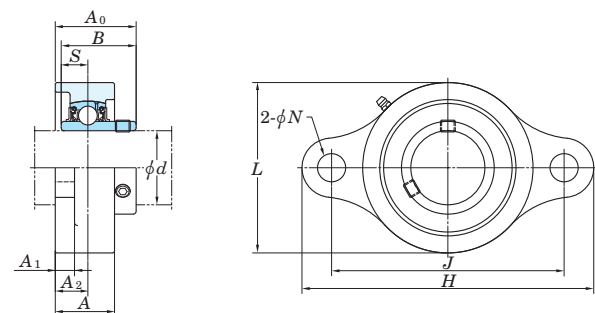
Variations of tolerance of bolt hole diameter (ΔN_s)

Housing No.	ΔN_s
FL08	±0.2
FL000-FL006	

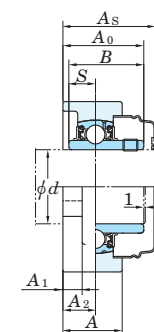
Shaft Dia. mm d	Dimensions										Bolt Size inch mm	Standard			Mass kg	Basic Load Ratings kN		Fatigue Load Limit kN C_u	Factor f_0	With Rubber Coated Cover			
	inch mm											Unit No.	Housing No.	Bearing No.		C_r	C_{0r}			Unit No.		Dimension mm inch A_s	Mass kg
	H	L	A	J	N	A_1	A_2	A_0	B	S										Open End Type	Closed End Type		
8	1 7/8 48	1 1/16 27	1 1/32 8.5	1 29/64 37	3/16 4.8	5/32 4	5/32 4	1/2 12.5	0.472 12	0.1378 3.5	No.8 M4	UFL08	FL08	SU08	3.27	1.37	0.062	12.4	-	-	-	-	-
10	2 3/8 60	1 13/32 36	15/32 12	1 49/64 45	9/32 7	1/4 6	15/64 6	5/8 16	0.591 15	0.197 5	1/4 M6	UFL000	FL000	SU000	4.55	1.95	0.089	12.3	UFL000C	UFL000D	20.5	13/16	0.05
12	2 15/32 63	1 1/2 38	15/32 12	1 57/64 48	9/32 7	1/4 6	15/64 6	5/8 16	0.591 15	0.197 5	1/4 M6	UFL001	FL001	SU001	5.10	2.40	0.109	13.2	UFL001C	UFL001D	20.5	13/16	0.07
15	2 5/8 67	1 21/32 42	1/2 13	2 3/32 53	9/32 7	1/4 6.5	1/4 6.5	11/16 17.5	0.650 16.5	0.217 5.5	1/4 M6	UFL002	FL002	SU002	5.60	2.85	0.130	13.9	UFL002C	UFL002D	22	7/8	0.09
17	2 25/32 71	1 13/16 46	9/16 14	2 13/64 56	9/32 7	9/32 7	9/32 7	23/32 18.5	0.689 17.5	0.236 6	1/4 M6	UFL003	FL003	SU003	6.00	3.25	0.148	14.4	UFL003C	UFL003D	23.5	15/16	0.11
20	3 17/32 90	2 5/32 55	5/8 16	2 51/64 71	13/32 10	5/16 8	5/16 8	7/8 22	0.827 21	0.276 7	5/16 M8	UFL004	FL004	SU004	9.40	5.05	0.230	13.9	UFL004C	UFL004D	27	1 1/16	0.18
25	3 3/4 95	2 3/8 60	5/8 16	2 61/64 75	13/32 10	5/16 8	5/16 8	29/32 23	0.866 22	0.276 7	5/16 M8	UFL005	FL005	SU005	10.1	5.85	0.266	14.5	UFL005C	UFL005D	28	1 3/32	0.23
30	4 13/32 112	2 3/4 70	23/32 18	3 11/32 85	1/2 13	11/32 9	23/64 9	1 1/32 26	0.965 24.5	0.295 7.5	3/8 M10	UFL006	FL006	SU006	13.2	8.25	0.375	14.7	UFL006C	UFL006D	31	1 7/32	0.31

Remarks 1. In Part No. of unit and units with covers, fitting codes follow bore diameter codes. (See Table 2.5 in P.11.)
2. Housing is made from special light alloy.
3. For the dimensions and forms of applicable bearings, see the dimensional tables of ball bearing for unit.

UCSFL-H1S6
Cylindrical bore (with set screws)
 d 20 ~ 50 mm



With Pressed Stainless Steel Cover



Variations of tolerance of distance from mounting surface to center of spherical bore (ΔA_{2s}) and variations of tolerance of distance between centers of bolt holes (ΔJ_s)

Housing No.	ΔA_{2s}	ΔJ_s
SFL203H1-SFL210H1	± 0.5	± 0.5

Unit: mm

Variations of tolerance of bolt hole diameter (ΔN_s)

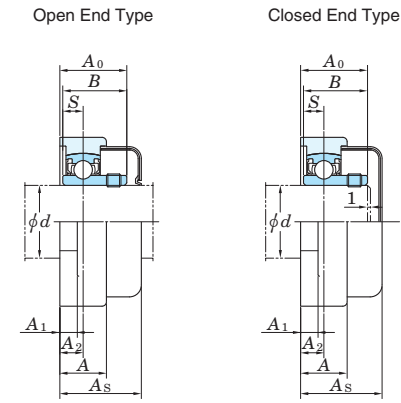
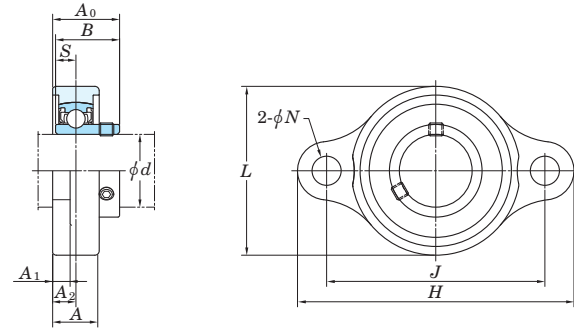
Housing No.	ΔN_s
SFL203H1-SFL210H1	± 0.2

Unit: mm

Shaft Dia. mm d	Dimensions											Bolt Size inch mm	Standard		Bearing No.	Mass kg	Basic Load Ratings kN		Fatigue Load Limit kN C_u	Factor f_0	With Pressed Stainless Steel Cover			
	H	L	A	J	N	A_1	A_2	A_0	B	S	Unit No.		Housing No.	C_r			C_{0r}	Unit No.			Open End Type	Closed End Type	Dimension mm A_s	inch
20	4 7/16 113	2 3/8 60	1 1/32 26	3 35/64 90	15/32 12	13/32 10	19/32 15	1 5/16 33.3	1.220 31	0.500 12.7	3/8 M10	UCSFL204H1S6	SFL204H1	UC204S6	0.47	10.9	5.35	0.243	13.2	UCSFL204H1CS6	UCSFL204H1DS6	38	1 1/2	0.47
25	5 1/8 130	2 11/16 68	1 3/32 27.5	3 57/64 99	5/8 16	13/32 10	5/8 16	1 13/32 35.8	1.343 34.1	0.563 14.3	1/2 M14	UCSFL205H1S6	SFL205H1	UC205S6	0.61	11.9	6.30	0.286	13.9	UCSFL205H1CS6	UCSFL205H1DS6	40	1 9/16	0.61
30	5 13/16 148	3 5/32 80	1 7/32 31	4 39/64 117	5/8 16	13/32 10	45/64 18	1 19/32 40.2	1.500 38.1	0.626 15.9	1/2 M14	UCSFL206H1S6	SFL206H1	UC206S6	0.9	16.5	9.05	0.411	13.9	UCSFL206H1CS6	UCSFL206H1DS6	45	1 15/32	0.9
35	6 11/32 161	3 11/32 85	1 11/32 34	5 1/8 130	5/8 16	7/16 11	3/4 19	1 3/4 44.4	1.689 42.9	0.689 17.5	1/2 M14	UCSFL207H1S6	SFL207H1	UC207S6	1.1	21.8	12.3	0.559	13.9	UCSFL207H1CS6	UCSFL207H1DS6	49	1 15/16	1.1
40	6 7/8 175	3 11/16 94	1 13/32 36	5 43/64 144	5/8 16	15/32 12	53/64 21	2 1/32 51.2	1.937 49.2	0.748 19	1/2 M14	UCSFL208H1S6	SFL208H1	UC208S6	1.4	24.8	14.3	0.650	14.0	UCSFL208H1CS6	UCSFL208H1DS6	56	2 7/32	1.4
45	7 13/32 188	3 15/16 100	1 1/2 38	5 53/64 148	3/4 19	1/2 13	55/64 22	2 1/16 52.2	1.937 49.2	0.748 19	5/8 M16	UCSFL209H1S6	SFL209H1	UC209S6	1.6	27.8	16.2	0.736	14.0	UCSFL209H1CS6	UCSFL209H1DS6	57	2 7/32	1.6
50	7 3/4 197	4 3/16 106	1 9/16 40	6 3/16 157	3/4 19	1/2 13	55/64 22	2 5/32 54.6	2.031 51.6	0.748 19	5/8 M16	UCSFL210H1S6	SFL210H1	UC210S6	1.9	29.8	18.6	0.845	14.4	UCSFL210H1CS6	UCSFL210H1DS6	59	2 5/16	1.9

- Remarks 1. In Part No. of unit and units with covers, fitting codes follow bore diameter codes. (See Table 2.5 in P.11.)
2. Part No. of applicable grease nipple is A-1/4-28UNFN12.
3. For the dimensions and forms of applicable bearings, see the dimensional tables of ball bearing for unit.

USFL-S6
Cylindrical bore (with set screws)
 d 10 ~ 30 mm



Variations of tolerance of distance from mounting surface to center of spherical bore (ΔA_{2s}) and variations of tolerance of distance between centers of bolt holes (ΔJ_s)

Housing No.	ΔA_{2s}	ΔJ_s
SFL000-SFL006	± 0.5	± 0.3

Unit: mm

Variations of tolerance of bolt hole diameter (ΔN_s)

Housing No.	ΔN_s
SFL000-SFL006	± 0.2

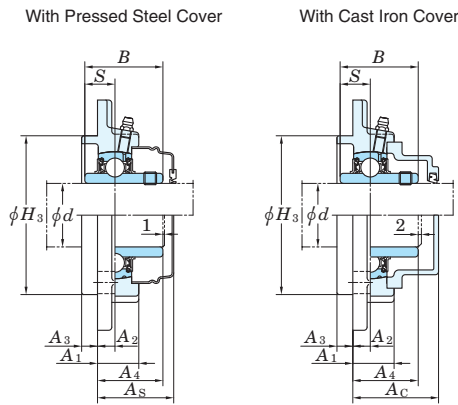
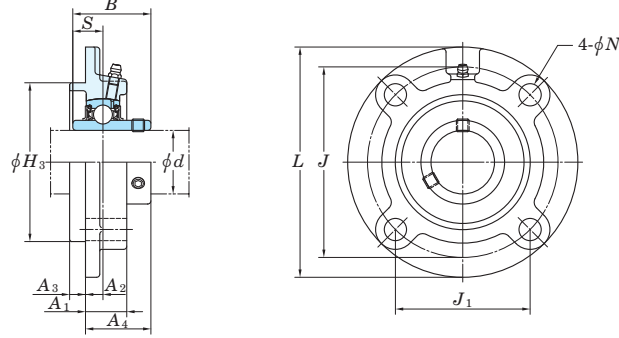
Unit: mm

Shaft Dia. mm d	Dimensions										Bolt Size inch mm	Standard			Mass kg	Basic Load Ratings kN		Fatigue Load Limit kN C_u	Factor f_0	With Rubber Coated Cover				
	inch mm											Unit No.	Housing No.	Bearing No.		C_r	C_{0r}			Unit No.		Dimension mm inch A_s	Mass kg	
	H	L	A	J	N	A_1	A_2	A_0	B	S										Open End Type	Closed End Type			
10	2 3/8 60	1 11/32 34	15/32 12	1 49/64 45	9/32 7	3/16 5	15/64 6	5/8 16	0.591 15	0.197 5	1/4 M6	USFL000S6	SFL000	SU000S6	0.076	3.9	1.55	0.070	12.3	USFL000CS6	USFL000DS6	20.5	13/16	0.08
12	2 15/32 63	1 13/32 36	15/32 12	1 57/64 48	9/32 7	3/16 5	15/64 6	5/8 16	0.591 15	0.197 5	1/4 M6	USFL001S6	SFL001	SU001S6	0.080	4.3	1.9	0.086	13.2	USFL001CS6	USFL001DS6	20.5	13/16	0.08
15	2 5/8 67	1 5/8 41	1/2 13	2 3/32 53	9/32 7	1/4 6	1/4 6.5	11/16 17.5	0.650 16.5	0.217 5.5	1/4 M6	USFL002S6	SFL002	SU002S6	0.1	4.7	2.25	0.102	13.9	USFL002CS6	USFL002DS6	22	7/8	0.1
17	2 25/32 71	1 23/32 44	9/16 14	2 13/64 56	9/32 7	1/4 6	9/32 7	23/32 18.5	0.689 17.5	0.236 6	1/4 M6	USFL003S6	SFL003	SU003S6	0.13	5.1	2.6	0.118	14.4	USFL003CS6	USFL003DS6	23.5	15/16	0.13
20	3 19/32 91	2 3/32 53	5/8 16	2 51/64 71	13/32 10	1/4 6	5/16 8	7/8 22	0.827 21	0.276 7	5/16 M8	USFL004S6	SFL004	SU004S6	0.21	7.9	4	0.182	13.9	USFL004CS6	USFL004DS6	27	1 1/16	0.21
25	3 3/4 95	2 9/32 58	5/8 16	2 51/64 75	13/32 10	1/4 6	5/16 8	29/32 23	0.866 22	0.276 7	5/16 M8	USFL005S6	SFL005	SU005S6	0.23	8.5	4.65	0.211	14.5	USFL005CS6	USFL005DS6	28	1 3/32	0.23
30	4 11/32 110	2 19/32 66	23/32 18	3 11/32 85	1/2 13	9/32 7	23/64 9	1 1/32 26	0.965 24.5	0.295 7.5	3/8 M10	USFL006S6	SFL006	SU006S6	0.33	11.2	6.6	0.300	14.7	USFL006CS6	USFL006DS6	31	1 7/32	0.33

Remarks 1. In Part No. of unit and units with covers, fitting codes follow bore diameter codes. (See Table 2.5 in P.11.)
2. For the dimensions and forms of applicable bearings, see the dimensional tables of ball bearing for unit.

Round-flanged type with spigot joint

UCFC
Cylindrical bore (with set screws)
d 55 ~ 100 mm



Variations of tolerance of spigot joint outside diameter (ΔH_{3s}), variations of tolerance of distance from mounting surface to center of spherical bore (ΔA_{2s}), tolerance of position of bolt hole (X), and tolerance of circumferential runout of spigot joint (Y)

Housing No.		ΔH_{3s}	ΔA_{2s}	X	Y
FC204-FC206	FCX05	0 -0.046	±0.5	0.7	0.2
FC207-FC210	FCX06-FCX10	0 -0.054			
FC211-FC217	FCX11-FCX15	0 -0.063	±0.8	1	0.3
FC218	FCX16-FCX18	0 -0.072			
	FCX20	0 -0.072			

Variations of tolerance of bolt hole diameter (ΔN_s)

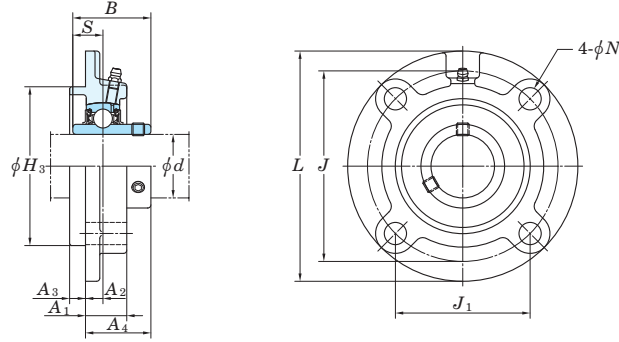
Housing No.	ΔN_s
FC204-FC218 FCX05-FCX20	±0.2

Shaft Dia. mm inch d	Dimensions inch mm												Bolt Size inch mm	Standard			Mass kg	Basic Load Ratings kN		Fatigue Load Limit kN C _u	Factor f ₀	With Pressed Steel Cover				With Cast Iron Cover			
	L	H ₃	J	J ₁	N	A ₁	A ₂	A ₃	A ₄	B	S	Unit No.		Housing No.	Bearing No.	Unit No.		Housing No.	Bearing No.			Open End Type	Closed End Type	Dimension mm inch A _s	Mass kg	Open End Type	Closed End Type	Dimension mm inch A _c	Mass kg
55 2 2 1/8 2 3/16	7 9/32	4.9213	5 29/32	4 11/64	3/4	1 7/32	33/64	15/32	1 13/16	2.189	0.874	5/8	FC211	UC211-32 UC211-34 UC211	4.2 4.2 4.2	43.4 29.4	1.34	14.4	UCFC211C	UCFC211D	51 2	4.2	UCFC211FC	UCFC211FD	62.5 2 15/32	4.8			
	7 3/32	5	5 63/64	4 15/64	5/8	1 1/32	5/32	55/64	1 23/32	2.563	1.000	1/2	FCX11	UCX11 UCX11-35 UCX11-36	4.3 4.3 4.3	52.4 36.2	1.65	14.4	UCFCX11C	UCFCX11D	48.5 1 29/32	4.3							
	7 11/16	5.3150	6 19/64	4 29/64	3/4	1 13/32	43/64	15/32	2 7/32	2.563	1.000	5/8	FC212	UC212-36 UC212 UC212-38 UC212-39	5.0 5.0 5.0 5.0	52.4 36.2	1.65	14.4	UCFC212C	UCFC212D	61.5 2 13/32	5.0	UCFC212FC	UCFC212FD	74 2 29/32	5.8			
	7 5/8	5.5118	6 1/2	4 19/32	5/8	1 5/16	7/16	25/32	2	2.563	1.000	1/2	FCX12	UCX12 UCX12-39	5.3 5.3	57.2 40.1	1.82	14.4	UCFCX12C	UCFCX12D	55.5 2 3/16	5.3							
60 2 3/8 2 7/16	8 1/16	5.7087	6 11/16	4 47/64	3/4	1 13/32	5/8	35/64	2 3/16	2.563	1.000	5/8	FC213	UC213-40 UC213	5.6 5.6	57.2 40.1	1.82	14.4	UCFC213C	UCFC213D	60.5 2 3/8	5.6	UCFC213FC	UCFC213FD	73 2 7/8	6.4			
	7 5/8	5.5118	6 1/2	4 19/32	5/8	1 5/16	7/16	25/32	2 3/16	2.937	1.189	1/2	FCX13	UCX13-40 UCX13	5.7 5.7	62.2 44.1	2.01	14.5	UCFCX13C	UCFCX13D	60.5 2 3/8	5.7							
65 2 1/2	8 15/32	5.9055	6 31/32	4 59/64	3/4	1 9/16	43/64	35/64	2 13/32	2.937	1.189	5/8	FC214	UC214-44 UC214	6.8 6.8	62.2 44.1	2.01	14.5	UCFC214C	UCFC214D	66.5 2 5/8	6.8	UCFC214FC	UCFC214FD	79 3 1/8	7.7			
	8 3/4	6.4567	7 31/64	5 9/32	3/4	1 13/32	35/64	25/32	2 5/16	3.063	1.331	5/8	FCX14	UCX14-44 UCX14	7.3 7.3	67.4 48.3	2.17	14.5	UCFCX14C	UCFCX14D	63.5 2 1/2	7.3							
70 2 3/4	8 21/32	6.2992	7 1/4	5 1/8	3/4	1 9/16	45/64	5/8	2 15/32	3.063	1.331	5/8	FC215	UC215-47 UC215 UC215-48	7.2 7.2 7.2	67.4 48.3	2.17	14.5	UCFC215C	UCFC215D	67.5 2 21/32	7.2	UCFC215FC	UCFC215FD	80 3 5/32	8.2			
	8 3/4	6.4567	7 31/64	5 9/32	3/4	1 3/8	15/32	55/64	2 13/32	3.252	1.311	5/8	FCX15	UCX15-47 UCX15 UCX15-48	8.0 8.0 8.0	72.7 53.0	2.30	14.6	UCFCX15C	UCFCX15D	66.5 2 5/8	8.0							
75 2 15/16	9 7/16	6.6929	7 7/8	5 9/16	29/32	1 31/32	45/64	5/8	2 21/32	3.252	1.311	3/4	FC216	UC216-50 UC216	8.7 8.7	72.7 53.0	2.30	14.6	UCFC216C	UCFC216D	72.5 2 27/32	8.7	UCFC216FC	UCFC216FD	87 3 7/16	9.9			
	10 1/4	7.3228	8 5/8	6 3/32	29/32	1 13/32	25/64	63/64	2 7/16	3.374	1.343	3/4	FCX16	UCX16	11.3	84.0 61.9	2.60	14.5	UCFCX16C	UCFCX16D	66.5 2 5/8	11.3							
80 3 1/8	9 21/32	7.0866	8 3/16	5 51/64	29/32	1 25/32	45/64	45/64	2 3/4	3.374	1.343	3/4	FC217	UC217-52 UC217	10.3 10.3	84.0 61.9	2.60	14.5	UCFC217C	UCFC217D	74.5 2 15/16	10.3	UCFC217FC	UCFC217FD	89 3 1/2	11.7			
	10 1/4	7.3228	8 5/8	6 3/32	29/32	1 13/32	25/64	63/64	2 5/8	3.780	1.563	3/4	FCX17	UCX17 UCX17-55	12.9 12.9	96.1 71.5	2.91	14.5	UCFCX17C	UCFCX17D	71.5 2 13/16	12.9							
85 3 7/16	10 7/16	7.4803	8 21/32	6 1/8	29/32	1 31/32	55/64	45/64	3 3/32	3.780	1.563	3/4	FC218	UC218-56 UC218	13.3 13.3	96.1 71.5	2.91	14.5	UCFC218C	UCFC218D	83.5 3 9/32	13.3	UCFC218FC	UCFC218FD	98 3 27/32	14.8			
	10 1/4	7.3228	8 5/8	6 3/32	29/32	1 11/16	15/32	1 7/64	2 7/8	4.094	1.689	3/4	FCX18	UCX18	13.5	109 81.9	3.23	14.4											
90 3 1/2	10 7/8	8.1102	9 3/8	6 5/8	29/32	2 19/32	55/64	1 7/64	3 9/16	4.626	1.937	3/4	FCX20	UCX20	18.2	133 105	3.91	14.4											
	10 1/4	7.3228	8 5/8	6 3/32	29/32	1 11/16	15/32	1 7/64	2 7/8	4.094	1.689	3/4	FCX20-63 UCFCX20-64	UCX20-63 UCX20-64	18.2 18.2	133 105	3.91	14.4											

Remarks 1. In Part No. of unit and units with covers, fitting codes follow bore diameter numbers. (See Table 2.5 in P.11.)
 2. Part No. of applicable grease nipples are shown below.
 A-1/4-28UNF 201-210, X05-X09
 A-R1/8 211-218, X10-X20
 3. As for the triple-lip seal type product (from 201 to 205 are the double-lip seal type products), supplementary code L3 (L2) follows the Part No. of unit or bearing. (Example of Part No. : UCFC206JL3, UC206L3)
 4. For the dimensions and forms of applicable bearings, see the dimensional tables of ball bearing for unit.
 5. Housings of spheroidal graphite iron casting are also available.

Round-flanged type with spigot joint

UCFCX-E
Cylindrical bore (with set screws)
 d 25 ~ 100 mm



Shaft Dia. mm inch d	Dimensions inch mm											Bolt Size inch mm	Unit No.	Housing No.	Bearing No.	Basic Load Ratings kN		Fatigue Load Limit kN C_u	Factor f_0	Mass kg	
	L	H_3	J	J_1	N	A_1	A_2	A_3	A_4	B	S					C_r	C_{or}				
25 1	4 3/8	3.000	3 5/8	2 9/16	3/8	15/16	25/64	15/64	1 9/32	1.500	0.626	5/16	UCFCX05E UCFCX05-16E	FCX05E	UCX05	UCX05-16	19.5	11.3	0.514	13.9	1.2
	111	76.2	92	65	9.5	24	10	6	32.2	38.1	15.9	M8									
30 1 3/16 1 1/4	5	3.375	4 9/64	2 59/64	15/32	7/8	5/16	3/8	1 5/16	1.689	0.689	3/8	UCFCX06E UCFCX06-19E UCFCX06-20E	FCX06E	UCX06	UCX06-19 UCX06-20	25.7	15.4	0.700	13.9	1.5
	127	85.725	105	74.2	12	22.5	8	9.5	33.4	42.9	17.5	M10									
35 1 3/8 1 7/16	5 1/4	3.625	4 3/8	3 3/32	15/32	1 1/32	23/64	7/16	1 17/32	1.937	0.748	3/8	UCFCX07E UCFCX07-22E UCFCX07-23E	FCX07E	UCX07	UCX07-22 UCX07-23	29.1	17.8	0.809	14.0	1.9
	133	92.075	111	78.5	12	26	9	11	39.2	49.2	19	M10									
40 1 1/2	5 1/4	3.625	4 3/8	3 3/32	15/32	1 1/32	23/64	7/16	1 17/32	1.937	0.748	3/8	UCFCX08E UCFCX08-24E UCFCX08E	FCX08E	UCX08-24 UCX08	UCX08-24 UCX08	34.1	21.3	0.968	14.0	2.0
	133	92.075	111	78.5	12	26	9	11	39.2	49.2	19	M10									
45 1 3/4	6 3/32	4.250	5 1/8	3 5/8	35/64	31/32	5/16	15/32	1 19/32	2.031	0.748	7/16	UCFCX09E UCFCX09-28E UCFCX09E	FCX09E	UCX09-28 UCX09	UCX09-28 UCX09	35.1	23.3	1.06	14.4	2.6
	155	107.95	130	91.9	14	25	8	12	40.6	51.6	19	M12									
50 1 15/16 2	6 3/8	4.5	5 23/64	3 25/32	35/64	31/32	9/32	5/8	1 19/32	2.189	0.874	7/16	UCFCX10E UCFCX10-31E UCFCX10-32E	FCX10E	UCX10-31 UCX10	UCX10-31 UCX10-32	43.4	29.4	1.34	14.4	3.2
	162	114.3	136	96.2	14	25	7	16	40.4	55.6	22.2	M12									
60 2 7/16	7 5/8	5.500	6 1/2	4 19/32	5/8	1 5/16	7/16	25/32	2	2.563	1.000	1/2	UCFCX12E UCFCX12-39E UCFCX12E	FCX12E	UCX12	UCX12-39	57.2	40.1	1.82	14.4	5.3
	194	139.7	165	116.7	16	33	11	20	50.7	65.1	25.4	M14									
65 2 1/2	7 5/8	5.500	6 1/2	4 19/32	5/8	1 5/16	7/16	25/32	2 3/16	2.937	1.189	1/2	UCFCX13E UCFCX13-40E UCFCX13E	FCX13E	UCX13-40 UCX13	UCX13-40 UCX13	62.2	44.1	2.01	14.5	5.7
	194	139.7	165	116.7	16	33	11	20	55.4	74.6	30.2	M14									
70 2 3/4	8 3/4	6.375	7 31/64	5 9/32	3/4	1 13/32	35/64	25/32	2 5/16	3.063	1.331	5/8	UCFCX14E UCFCX14-44E UCFCX14E	FCX14E	UCX14-44 UCX14	UCX14-44 UCX14	67.4	48.3	2.17	14.5	7.3
	222	161.925	190	134.3	19	36	14	20	58.5	77.8	33.3	M16									
75 2 15/16 3	8 3/4	6.375	7 31/64	5 9/32	3/4	1 3/8	15/32	55/64	2 13/32	3.252	1.311	5/8	UCFCX15E UCFCX15-47E UCFCX15-48E	FCX15E	UCX15-47 UCX15	UCX15-47 UCX15-48	72.7	53.0	2.30	14.6	8.0
	222	161.925	190	134.3	19	35	12	22	61.3	82.6	33.3	M16									
80 —	10 1/4	7.375	8 5/8	6 3/32	29/32	1 13/32	25/64	63/64	2 7/16	3.374	1.343	3/4	UCFCX16E	FCX16E	UCX16	UCX16	84.0	61.9	2.60	14.5	11.3
	260	187.325	219	154.8	23	36	10	25	61.6	85.7	34.1	M20									
85 3 7/16	10 1/4	7.375	8 5/8	6 3/32	29/32	1 13/32	25/64	63/64	2 5/8	3.780	1.563	3/4	UCFCX17E UCFCX17-55E	FCX17E	UCX17	UCX17-55	96.1	71.5	2.91	14.5	12.9
	260	187.325	219	154.8	23	36	10	25	66.3	96	39.7	M20									
90 —	10 1/4	7.375	8 5/8	6 3/32	29/32	1 11/16	15/32	1 7/64	2 7/8	4.094	1.689	3/4	UCFCX18E	FCX18E	UCX18	UCX18	109	81.9	3.23	14.4	13.5
	260	187.325	219	154.8	23	43	12	28	73.1	104	42.9	M20									
100 3 15/16 4	10 7/8	8.125	9 3/8	6 5/8	29/32	2 19/32	55/64	1 7/64	3 9/16	4.626	1.937	3/4	UCFCX20E UCFCX20-63E UCFCX20-64E	FCX20E	UCX20	UCX20-63 UCX20-64	133	105	3.91	14.4	18.2
	276	206.375	238	168.3	23	66	22	28	90.3	117.5	49.2	M20									

Remarks 1. In Part No. of unit, fitting codes follow bore diameter numbers. (See Table 2.5 in P.11.)
2. Part No. of applicable grease nipples are shown below.
A-1/4-28UNF X05-X09
A-R1/8 X10-X20

3. As for the triple-lip seal type product, supplementary code L3 follows the Part No. of unit or bearing. (Example of Part No. : UCFCX06EL3, UCX06L3)
4. For the dimensions and forms of applicable bearings, see the dimensional tables of ball bearing for unit.
5. Housings of spheroidal graphite iron casting are also available.

Variations of tolerance of spigot joint outside diameter (ΔH_{3s}), variations of tolerance of distance from mounting surface to center of spherical bore (ΔA_{2s}), tolerance of position of bolt hole (X), and tolerance of circumferential runout of spigot joint (Y)

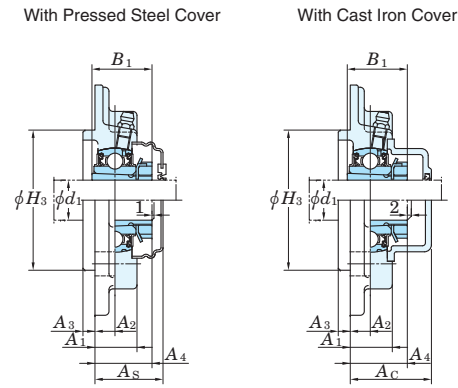
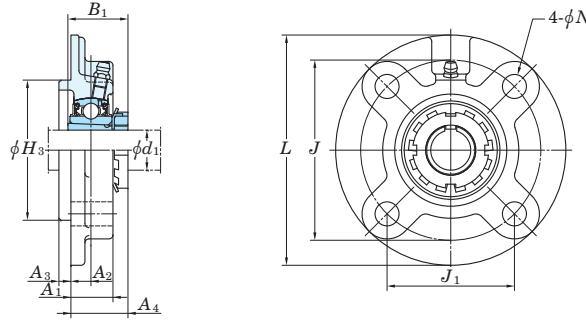
Housing No.	ΔH_{3s}	ΔA_{2s}	Unit: mm	
			X	Y
FCX05E	0 -0.046	±0.5	0.7	0.2
FCX06E-FCX10E	0 -0.054			
FCX12E-FCX15E	0 -0.063	±0.8	1	0.3
FCX16E-FCX18E	0 -0.072			
FCX20E	0 -0.072			

Variations of tolerance of bolt hole diameter (ΔN_s)

Housing No.	Unit: mm	
	ΔN_s	
FCX05E-FCX20E	±0.2	

Round-flanged type with spigot joint

UKFC
Tapered bore (with adapter)
 d_1 20 ~ 65 mm



Variations of tolerance of spigot joint outside diameter (ΔH_{3s}), variations of tolerance of distance from mounting surface to center of spherical bore (ΔA_{2s}), tolerance of position of bolt hole (X), and tolerance of circumferential runout of spigot joint (Y)

Housing No.		ΔH_{3s}	ΔA_{2s}	X	Y
FC205-FC206	FCX05	0 -0.046	±0.5	0.7	0.2
FC207-FC210	FCX06-FCX10	0 -0.054			
FC211-FC217	FCX11-FCX15	0 -0.063	±0.8	1	0.3
FC218	FCX16-FCX18	0			
	FCX20	-0.072			

Variations of tolerance of bolt hole diameter (ΔN_s)

Housing No.		ΔN_s
FC204-FC218	FCX05-FCX20	±0.2

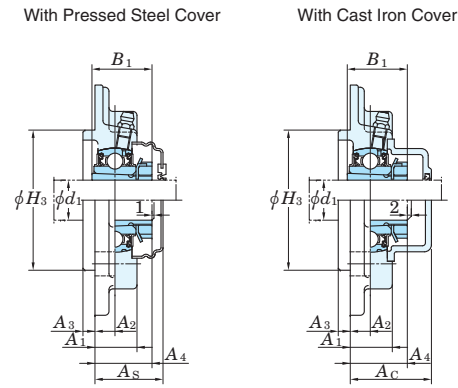
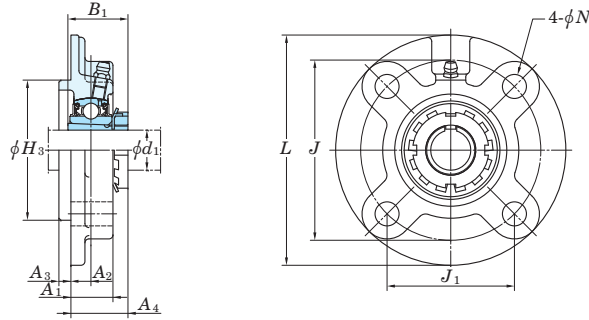
Shaft Dia. mm inch	Dimensions inch mm											Bolt Size inch mm	Standard			Basic Load Ratings kN	Fatigue Load Limit kN	Factor	With Pressed Steel Cover			With Cast Iron Cover									
	d_1	L	H_3	J	J_1	N	A ₁	A ₂	A ₃	A ₄	B ₁		Unit No.	Housing No.	Bearing No.				Adapter Assembly No.	Mass kg	C _r	C _{0r}	C _u	f ₀	Unit No. Open End Type	Unit No. Closed End Type	Dimension mm inch	Mass kg	Unit No. Open End Type	Unit No. Closed End Type	Dimension mm inch
20	3/4	4 17/32	2.7559	3 35/64	2 1/2	15/32	13/16	25/64	15/64	1 3/16	1 3/8	3/8	UKFC205	FC205	UK205	HE2305X H2305X	0.99 0.99	14.0	7.85	0.357	13.9	-	-	-	-	-	-	-	-	-	
	3/4	4 3/8	2.9921	3 5/8	2 9/16	3/8	15/16	25/64	15/64	1 5/32	1 3/8	5/16	UKFCX05	FCX05	UKX05	HE2305X H2305X	1.2 1.2	19.5	11.3	0.514	13.9	UKFCX05C	UKFCX05D	36.5	1 7/16	1.2	-	-	-		
25	1	4 29/32	3.1496	3 15/16	2 25/32	15/32	29/32	25/64	5/16	1 1/4	1 1/2	3/8	UKFC206	FC206	UK206	H2306X HE2306X	1.3 1.3	19.5	11.3	0.514	13.9	UKFC206C	UKFC206D	36.5	1 7/16	1.3	UKFC206FC	UKFC206FD	45	1 25/32	1.6
	1	5	3.3465	4 9/64	2 59/64	15/32	7/8	5/16	3/8	1 5/32	1 1/2	3/8	UKFCX06	FCX06	UKX06	H2306X HE2306X	1.5 1.5	25.7	15.4	0.700	13.9	UKFCX06C	UKFCX06D	38	1 1/2	1.5	-	-	-	-	-
30	1 1/8	5 5/16	3.5433	4 21/64	3 1/16	35/64	1 1/32	7/16	5/16	1 3/8	1 11/16	7/16	UKFC207	FC207	UK207	HS2307X H2307X	1.7 1.7	25.7	15.4	0.700	13.9	UKFC207C	UKFC207D	41	1 5/8	1.7	UKFC207FC	UKFC207FD	50	1 31/32	2.1
	1 1/8	5 1/4	3.6220	4 3/8	3 3/32	15/32	1 1/32	23/64	7/16	1 1/4	1 11/16	3/8	UKFCX07	FCX07	UKX07	HS2307X H2307X	1.9 1.9	29.1	17.8	0.809	14.0	UKFCX07C	UKFCX07D	43.5	1 23/32	1.9	-	-	-	-	-
35	1 1/4	5 23/32	3.9370	4 23/32	3 11/32	35/64	1 1/32	7/16	25/64	1 1/2	1 13/16	7/16	UKFC208	FC208	UK208	HE2308X HS2308X H2308X	2.0 2.0 2.0	29.1	17.8	0.809	14.0	UKFC208C	UKFC208D	45.5	1 25/32	2.0	UKFC208FC	UKFC208FD	54	2 1/8	2.4
	1 3/8	5 1/4	3.6220	4 3/8	3 3/32	15/32	1 1/32	23/64	7/16	1 5/16	1 13/16	3/8	UKFCX08	FCX08	UKX08	HE2308X HS2308X H2308X	1.9 1.9 1.9	34.1	21.3	0.968	14.0	UKFCX08C	UKFCX08D	43.5	1 23/32	1.9	-	-	-	-	-
40	1 1/2	6 5/16	4.1339	5 13/64	3 43/64	5/8	1 1/32	25/64	15/32	1 17/32	1 31/32	1/2	UKFC209	FC209	UK209	HE2309X H2309X	2.7 2.7	34.1	21.3	0.968	14.0	UKFC209C	UKFC209D	44.5	1 3/4	2.7	UKFC209FC	UKFC209FD	54	2 1/8	3.2
	1 1/2	6 3/32	4.2520	5 1/8	3 5/8	35/64	31/32	5/16	15/32	1 5/16	1 31/32	7/16	UKFCX09	FCX09	UKX09	HE2309X H2309X	2.6 2.6	35.1	23.3	1.06	14.4	UKFCX09C	UKFCX09D	45	1 25/32	2.6	-	-	-	-	-
45	1 3/4	6 1/2	4.3307	5 7/16	3 27/32	5/8	1 3/32	25/64	15/32	1 9/16	2 5/32	1/2	UKFC210	FC210	UK210	HE2310X H2310X	3.0 3.0	35.1	23.3	1.06	14.4	UKFC210C	UKFC210D	47	1 27/32	3.0	UKFC210FC	UKFC210FD	58.5	2 5/16	3.5
	1 3/4	6 3/8	4.6457	5 23/64	3 25/32	35/64	31/32	9/32	5/8	1 11/32	2 5/32	7/16	UKFCX10	FCX10	UKX10	HE2310X H2310X	3.1 3.1	43.4	29.4	1.34	14.4	UKFCX10C	UKFCX10D	45	1 25/32	3.1	-	-	-	-	-
50	1 7/8	7 9/32	4.9213	5 29/32	4 11/64	3/4	1 7/32	33/64	15/32	1 25/32	2 5/16	5/8	UKFC211	FC211	UK211	HS2311X H2311X HE2311X	4.3 4.3 4.3	43.4	29.4	1.34	14.4	UKFC211C	UKFC211D	51	2	4.3	UKFC211FC	UKFC211FD	62.5	2 15/32	4.9
	2	7 3/32	5	5 63/64	4 15/64	5/8	1 1/32	5/32	55/64	1 5/16	2 5/16	1/2	UKFCX11	FCX11	UKX11	HS2311X H2311X HE2311X	4.0 4.0 4.0	52.4	36.2	1.65	14.4	UKFCX11C	UKFCX11D	48.5	1 29/32	4.0	-	-	-	-	-
55	2 1/8	7 11/16	5.3150	6 19/64	4 29/64	3/4	1 13/32	43/64	15/32	2 3/32	2 7/16	5/8	UKFC212	FC212	UK212	HS2312X H2312X	4.9 4.9	52.4	36.2	1.65	14.4	UKFC212C	UKFC212D	61.5	2 13/32	4.9	UKFC212FC	UKFC212FD	74	2 29/32	5.7
	2 1/8	7 5/8	5.5118	6 1/2	4 19/32	5/8	1 5/16	7/16	25/32	1 21/32	2 7/16	1/2	UKFCX12	FCX12	UKX12	HS2312X H2312X	5.1 5.1	57.2	40.1	1.82	14.4	UKFCX12C	UKFCX12D	55.5	2 3/16	5.1	-	-	-	-	-
60	2 1/4	8 1/16	5.7087	6 11/16	4 47/64	3/4	1 13/32	5/8	35/64	2 3/32	2 9/16	5/8	UKFC213	FC213	UK213	HE2313X H2313X HS2313X	5.5 5.5 5.5	57.2	40.1	1.82	14.4	UKFC213C	UKFC213D	60.5	2 3/8	5.5	UKFC213FC	UKFC213FD	73	2 7/8	6.4
	2 3/8	7 5/8	5.5118	6 1/2	4 19/32	5/8	1 5/16	7/16	25/32	1 25/32	2 9/16	1/2	UKFCX13	FCX13	UKX13	HE2313X H2313X HS2313X	5.3 5.3 5.3	62.2	44.1	2.01	14.5	UKFCX13C	UKFCX13D	60.5	2 3/8	5.3	-	-	-	-	-
65	2 1/2	8 21/32	6.2992	7 1/4	5 1/8	3/4	1 9/16	45/64	5/8	2 5/16	2 7/8	5/8	UKFC215	FC215	UK215	HE2315X H2315X	7.4 7.4	67.4	48.3	2.17	14.5	UKFC215C	UKFC215D	67.5	2 21/32	7.4	UKFC215FC	UKFC215FD	80	3 5/32	8.4
	2 1/2	8 3/4	6.4567	7 31/64	5 9/32	3/4	1 3/8	15/32	55/64	1 7/8	2 7/8	5/8	UKFCX15	FCX15	UKX15	HE2315X H2315X	7.7 7.7	72.7	53.0	2.30	14.6	UKFCX15C	UKFCX15D	66.5	2 5/8	7.7	-	-	-	-	-

Remarks 1. In Part No. of unit and units with covers, fitting codes follow bore diameter numbers. (See Table 2.5 in P.11.)
2. Part No. of applicable grease nipples are shown below.
A-1/4-28UNF 205-210, X05-X09
A-R1/8 211-218, X10-X20

3. In Part No. of unit with adapters and bearing with adapters, Part No. of applicable adapter follow the Part No. shown in the dimensional tables.
(Example of Part No. : UKFC206J + H2306X, UK206 + H2306X)
4. As for the triple-lip seal type product (205 is the double-lip seal type product), supplementary code L3 (or L2) follows the Part No. of unit or bearing.
(Example of Part No. : UKFC206JL3 + H2306X, UK206L3 + H2306X)
5. For the dimensions and forms of applicable bearings and adapters, see the dimensional tables of ball bearing for unit and adapter assemblies.
6. Housings of spheroidal graphite iron casting are also available.

Round-flanged type with spigot joint

UKFC
Tapered bore (with adapter)
 d_1 70 ~ 90 mm



Variations of tolerance of spigot joint outside diameter (ΔH_{3s}), variations of tolerance of distance from mounting surface to center of spherical bore (ΔA_{2s}), tolerance of position of bolt hole (X), and tolerance of circumferential runout of spigot joint (Y)

Variations of tolerance of bolt hole diameter (ΔN_s)

Housing No.		ΔH_{3s}	ΔA_{2s}	X	Y
FC205-FC206	FCX05	0 -0.046	±0.5	0.7	0.2
FC207-FC210	FCX06-FCX10	0 -0.054			
FC211-FC217	FCX11-FCX15	0 -0.063	±0.8	1	0.3
FC218	FCX16-FCX18	0 -0.072			
	FCX20	0 -0.072			

Housing No.		ΔN_s
FC204-FC218	FCX05-FCX20	±0.2

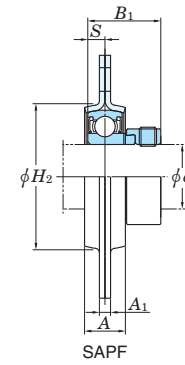
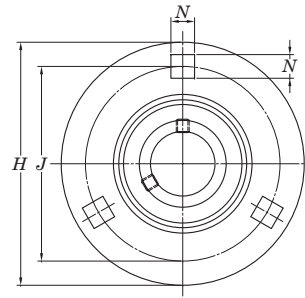
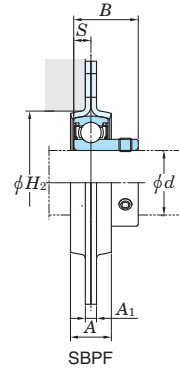
Shaft Dia. mm inch	Dimensions inch mm											Bolt Size inch mm	Standard			Adapter Assembly No.	Mass kg	Basic Load Ratings kN		Fatigue Load Limit kN C_u	Factor f_0	With Pressed Steel Cover			With Cast Iron Cover						
	d_1	L	H ₃	J	J ₁	N	A ₁	A ₂	A ₃	A ₄	B ₁		Unit No.	Housing No.	Bearing No.			Unit No.	Dimension mm inch			Mass kg	Unit No.	Dimension mm inch	Mass kg						
70	2 3/4	9 7/16	6.6929	7 7/8	5 9/16	29/32	1 31/32	45/64	5/8	2 15/32	3 1/16	3/4	UKFC216	FC216	UK216	HE2316X H2316X	9.0 9.0	72.7	53.0	2.30	14.6	-	-	-	-	-	-	-	-	-	
	2 3/4	10 1/4	7.3228	8 5/8	6 3/32	29/32	1 13/32	25/64	63/64	1 15/16	3 1/16	3/4	UKFCX16	FCX16	UKX16	HE2316X H2316X	11.4 11.4	84.0	61.9	2.60	14.5	UKFCX16C	UKFCX16D	66.5	2 5/8	11.4	-	-	-	-	-
75	3	9 27/32	7.0866	8 3/16	5 51/64	29/32	1 25/32	45/64	45/64	3 17/32	3 7/32	3/4	UKFC217	FC217	UK217	H2317X HE2317X	10.4 10.4	84.0	61.9	2.60	14.5	UKFC217C	UKFC217D	74.5	2 15/16	10.4	UKFC217FC	UKFC217FD	89	3 1/2	11.8
	3	10 1/4	7.3228	8 5/8	6 3/32	29/32	1 13/32	25/64	63/64	2 1/16	3 7/32	3/4	UKFCX17	FCX17	UKX17	H2317X HE2317X	12.6 12.6	96.1	71.5	2.91	14.5	UKFCX17C	UKFCX17D	71.5	2 13/16	12.6	-	-	-	-	-
80	-	10 7/16	7.4803	8 21/32	6 1/8	29/32	1 31/32	55/64	45/64	2 13/16	3 3/8	3/4	UKFC218	FC218	UK218	H2318X	13.3	96.1	71.5	2.91	14.5	UKFC218C	UKFC218D	83.5	3 9/32	13.3	UKFC218FC	UKFC218FD	98	3 27/32	14.9
	-	10 1/4	7.3228	8 5/8	6 3/32	29/32	1 11/16	15/32	1 7/64	2 5/32	3 3/8	3/4	UKFCX18	FCX18	UKX18	H2318X	13.0	109	81.9	3.23	14.4	-	-	-	-	-	UKFCX18C	UKFCX18D	92	3 5/8	15.1
90	3 1/2	10 7/8	8.1102	9 3/8	6 5/8	29/32	2 19/32	55/64	1 7/64	2 23/32	3 13/16	3/4	UKFCX20	FCX20	UKX20	HE2320X H2320X	17.1 17.1	133	105	3.91	14.4	-	-	-	-	-	UKFCX20C	UKFCX20D	116	4 9/16	19.9

- Remarks 1. In Part No. of unit and units with covers, fitting codes follow bore diameter numbers. (See Table 2.5 in P.11.)
 2. Part No. of applicable grease nipples are shown below.
 A-1/4-28UNF 205-210, X05-X09
 A-R1/8 211-218, X10-X20

3. In Part No. of unit with adapters and bearing with adapters, Part No. of applicable adapter follow the Part No. shown in the dimensional tables.
 (Example of Part No. : UKFC206J + H2306X, UK206 + H2306X)
 4. As for the triple-lip seal type product (205 is the double-lip seal type product), supplementary code L3 (or L2) follows the Part No. of unit or bearing.
 (Example of Part No. : UKFC206JL3 + H2306X, UK206L3 + H2306X)
 5. For the dimensions and forms of applicable bearings and adapters, see the dimensional tables of ball bearing for unit and adapter assemblies.
 6. Housings of spheroidal graphite iron casting are also available.

Pressed steel round-flanged type

SBPF Cylindrical bore (with set screws)
SAPF Cylindrical bore (with eccentric locking collar)
 d 12 ~ 35 mm



Variations of tolerance of distance between centers of bolt holes (ΔJ_b) Unit: mm

Housing No.	ΔJ_b
PF203-PF207	± 0.4

Variations of tolerance of bolt hole diameter (ΔN_b) Unit: mm

Housing No.	ΔN_b
PF203-PF207	± 0.25

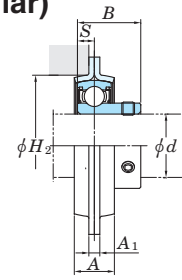
Shaft Dia mm inch d	Dimensions inch mm								SBPF B	SAPF B ₁	Bolt Size inch mm	Unit No.	Bearing No.	Unit No.	Bearing No.	Housing No.	Basic Load Ratings kN		Fatigue Load Limit kN C _u	Factor f ₀	Mass kg	
	H	A	A ₁	J	N	H ₂	S	C _r									C _{0r}	SBPF			SAPF	
12 1/2	3 3/16	9/16	5/32	2 1/2	9/32	1 15/16	0.236	0.866	1.122	1/4	SBPF201 SBPF201-8 SBPF202 SBPF202-10 SBPF203	SB201 SB201-8 SB202 SB202-10 SB203	SAPF201 SAPF201-8 SAPF202 SAPF202-10 SAPF203	SA201 SA201-8 SA202 SA202-10 SA203	PF203	9.55	4.80	0.218	13.2	0.27	0.3	
15 5/8	81	14	4	63.5	7.1	49	6	22	28.5	M6												
17																						
20 3/4	3 17/32	5/8	5/32	2 13/16	23/64	2 5/32	0.276	0.984	1.161	5/16	SBPF204-12 SBPF204	SB204-12 SB204	SAPF204-12 SAPF204	SA204-12 SA204	PF204	12.8	6.65	0.302	13.2	0.33	0.33	
25 7/8 15/16	3 3/4	23/32	5/32	2 63/64	23/64	2 3/8	0.295	1.063	1.201	5/16	SBPF205-14 SBPF205-15 SBPF205 SBPF205-16	SB205-14 SB205-15 SB205 SB205-16	SAPF205-14 SAPF205-15 SAPF205 SAPF205-16	SA205-14 SA205-15 SA205 SA205-16	PF205	14.0	7.85	0.357	13.9	0.38	0.42	
30 1 1/8	4 7/16	3/4	13/64	3 9/16	7/16	2 25/32	0.315	1.181	1.335	3/8	SBPF206-18 SBPF206 SBPF206-19 SBPF206-20 SBPF207-20	SB206-18 SB206 SB206-19 SB206-20 SB207-20	SAPF206-18 SAPF206 SAPF206-19 SAPF206-20 SAPF207-20	SA206-18 SA206 SA206-19 SA206-20 SA207-20	PF206	19.5	11.3	0.514	13.9	0.62	0.65	
35 1 1/4 1 5/16 1 3/8	4 13/16	7/8	13/64	3 15/16	7/16	3 3/16	0.335	1.260	1.437	3/8	SBPF207-22 SBPF207 SBPF207-23	SB207-22 SB207 SB207-23	SAPF207-21 SAPF207-22 SAPF207 SAPF207-23	SA207-21 SA207-22 SA207 SA207-23	PF207	25.7	15.4	0.700	13.9	0.82	0.9	

Note 1) H₂ is the minimum size of the mounting hole.

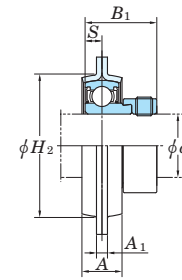
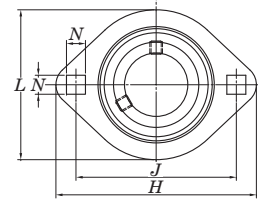
Remark For the dimensions and forms of applicable bearings, see the dimensional tables of ball bearing for unit.

Pressed steel rhombic-flanged type

SBPFL **SAPFL**
 Cylindrical bore Cylindrical bore
 (with set screws) (with eccentric locking collar)
 d 12 ~ 35 mm



SBPFL



SAPFL

Variations of tolerance of distance between centers of bolt holes (ΔJ_b) Unit: mm

Housing No.	ΔJ_b
PFL203-PFL207	± 0.4

Variations of tolerance of bolt hole diameter (ΔN_b) Unit: mm

Housing No.	ΔN_b
PFL203-PFL207	± 0.25

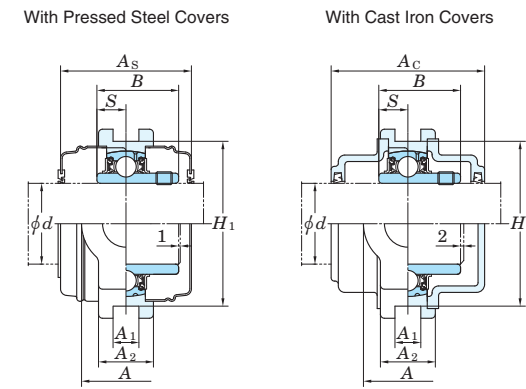
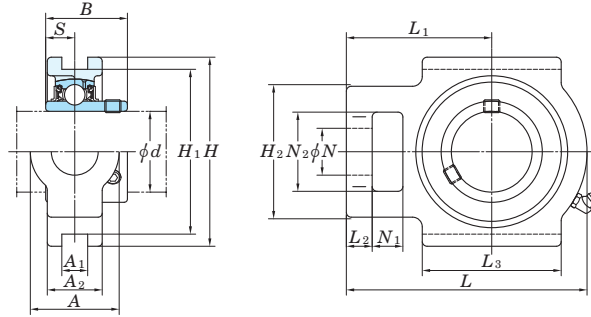
Shaft Dia mm inch d	Dimensions inch mm								SBPFL B	SAPFL B ₁	Bolt Size inch mm	Unit No.	Bearing No.	Unit No.	Bearing No.	Housing No.	Basic Load Ratings kN		Fatigue Load Limit kN C _u	Factor f ₀	Mass kg	
	H	L	A	A ₁	J	N	H ₂	S									C _r	C _{0r}			SBPFL	SAPFL
12 1/2	3 3/16	2 5/16	9/16	5/32	2 1/2	9/32	1 15/16	0.236	0.866	1.122	1/4	SBPFL201 SBPFL201-8 SBPFL202 SBPFL202-10 SBPFL203	SB201 SB201-8 SB202 SB202-10 SB203	SAPFL201 SAPFL201-8 SAPFL202 SAPFL202-10 SAPFL203	SA201 SA201-8 SA202 SA202-10 SA203	PFL203	9.55	4.80	0.218	13.2	0.19	0.22
15 5/8	3 17/32	2 5/8	5/8	5/32	2 13/16	23/64	2 5/32	0.276	0.984	1.161	5/16	SBPFL204-12 SBPFL204	SB204-12 SB204	SAPFL204-12 SAPFL204	SA204-12 SA204	PFL204	12.8	6.65	0.302	13.2	0.24	0.24
17	3 3/4	2 25/32	23/32	5/32	2 63/64	23/64	2 3/8	0.295	1.063	1.201	5/16	SBPFL205-14 SBPFL205-15 SBPFL205 SBPFL205-16	SB205-14 SB205-15 SB205 SB205-16	SAPFL205-14 SAPFL205-15 SAPFL205 SAPFL205-16	SA205-14 SA205-15 SA205 SA205-16	PFL205	14.0	7.85	0.357	13.9	0.28	0.32
20 3/4	4 7/16	3 5/16	3/4	13/64	3 9/16	7/16	2 25/32	0.315	1.181	1.335	3/8	SBPFL206-18 SBPFL206 SBPFL206-19 SBPFL206-20 SBPFL207-20	SB206-18 SB206 SB206-19 SB206-20 SB207-20	SAPFL206-18 SAPFL206 SAPFL206-19 SAPFL206-20 SAPFL207-20	SA206-18 SA206 SA206-19 SA206-20 SA207-20	PFL206	19.5	11.3	0.514	13.9	0.38	0.41
25 7/8 15/16	4 13/16	3 11/16	7/8	13/64	3 15/16	7/16	3 3/16	0.335	1.260	1.437	3/8	SBPFL207-22 SBPFL207 SBPFL207-23	SB207-22 SB207 SB207-23	SAPFL207-21 SAPFL207-22 SAPFL207 SAPFL207-23	SA207-21 SA207-22 SA207 SA207-23	PFL207	25.7	15.4	0.700	13.9	0.66	0.74
30 1 1/8 1 3/16 1 1/4																						
35 1 1/4 1 5/16 1 3/8 1 7/16																						

Note 1) H₂ is the minimum size of the mounting hole.

Remark For the dimensions and forms of applicable bearings, see the dimensional tables of ball bearing for unit.

Take-up type

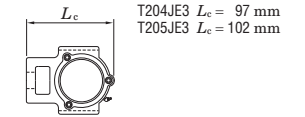
UCT
Cylindrical bore (with set screws)
d 12 ~ (45) mm



Variations of tolerance of groove width (ΔA_{1s}), variations of tolerance of distance between both grooves (ΔH_{1s}), and tolerance of symmetry of both groove sides (X)

Housing No.		ΔA_{1s}	ΔH_{1s}	X
T204-T210	TX05-TX10 T305-T310	+0.2 0	0 -0.5	0.5
T211-T217	TX11-TX17 T311-T318 T319-T322 T324-T328	+0.3 0	0 -0.8	0.6 0.7 0.8

Form and dimensions of L_c of T204JE3 and T205JE3 (housing with cast iron covers) are shown below.



Shaft Dia. mm inch d	Dimensions inch mm															Standard		Bearing No.	Mass kg	Basic Load Ratings kN			Factor f_0	With Pressed Steel Covers			With Cast Iron Covers						
	A	A ₁	A ₂	H	H ₁	H ₂	L	L ₁	L ₂	L ₃	N	N ₁	N ₂	B	S	Unit No.	Housing No.			C _r	C _{0r}	C _u		Unit No.	Dimension mm inch	Mass kg	Unit No.	Dimension mm inch	Mass kg				
12 1/2																UCT201																	
15 5/8	1 1/4	15/32	13/16	3 1/2	2 63/64	2	3 11/16	2 13/32	13/32	2	3/4	5/8	1 1/4	1.220	0.500	UCT201-8	T204	12.8	6.65	0.302	13.2	UCT201C	UCT201CD	45 1 25/32	0.81								
17 3/4	32	12	21	89	76	51	94	61	10	51	19	16	32	31	12.7	UCT202																	
20																UCT202-10																	
																UCT203																	
																UCT204-12																	
																UCT204																	
25 7/8	1 1/4	15/32	15/16	3 1/2	2 63/64	2	3 13/16	2 7/16	13/32	2	3/4	5/8	1 1/4	1.343	0.563	UCT205-14	T205	14.0	7.85	0.357	13.9												
	32	12	24	89	76	51	97	62	10	51	19	16	32	34.1	14.3	UCT205-15																	
																UCT205																	
																UCT205-16																	
25 1	1 15/32	15/32	1 3/32	4 1/32	3 1/2	2 7/32	4 7/16	2 3/4	13/32	2 1/4	7/8	5/8	1 15/32	1.500	0.626	UCTX05	TX05	19.5	11.3	0.514	13.9	UCTX05C	UCTX05CD	53 2 3/32	1.4								
	37	12	28	102	89	56	113	70	10	57	22	16	37	38.1	15.9	UCTX05-16																	
																UCT305	T305	21.2	10.9	0.495	12.6												
																UCT305-16																	
30 1 1/8	1 15/32	15/32	1 3/32	4 1/32	3 1/2	2 7/32	4 7/16	2 3/4	13/32	2 1/4	7/8	5/8	1 15/32	1.500	0.626	UCT206-18	T206	19.5	11.3	0.514	13.9												
	37	12	28	102	89	56	113	70	10	57	22	16	37	38.1	15.9	UCT206																	
																UCT206-19																	
																UCT206-20																	
30 1 3/16	1 15/32	15/32	1 3/16	4 1/32	3 1/2	2 17/32	5 3/32	3 1/16	1/2	2 17/32	7/8	5/8	1 15/32	1.689	0.689	UCTX06	TX06	25.7	15.4	0.700	13.9	UCTX06C	UCTX06CD	60 2 3/8	1.7								
	37	12	30	102	89	64	129	78	13	64	22	16	37	42.9	17.5	UCTX06-19																	
																UCTX06-20																	
30 1 1/4	1 5/8	5/8	1 3/32	3 15/16	3 35/64	2 3/4	5 13/32	3 11/32	9/16	2 29/32	1 3/32	23/32	1 5/8	1.693	0.669	UCT306	T306	26.7	15.0	0.682	13.3												
	41	16	28	100	90	70	137	85	14	74	28	18	41	43	17																		
35 1 1/4	1 15/32	15/32	1 3/16	4 1/32	3 1/2	2 17/32	5 3/32	3 1/16	1/2	2 17/32	7/8	5/8	1 15/32	1.689	0.689	UCT207-20	T207	25.7	15.4	0.700	13.9												
	37	12	30	102	89	64	129	78	13	64	22	16	37	42.9	17.5	UCT207-21																	
																UCT207-22																	
																UCT207																	
																UCT207-23																	
35 1 7/16	1 15/16	5/8	1 13/32	4 1/2	4 1/64	3 9/32	5 21/32	3 15/32	19/32	3 9/32	1 5/32	3/4	1 15/16	1.937	0.748	UCTX07-22	TX07	29.1	17.8	0.809	14.0	UCTX07C	UCTX07CD	69 2 23/32	2.7								
	49	16	36	114	102	83	144	88	15	83	29	19	49	49.2	19	UCTX07																	
																UCTX07-23																	
35 1 3/8	1 25/32	5/8	1 1/4	4 3/8	3 15/16	2 15/16	5 29/32	3 11/16	19/32	3 5/32	1 3/16	25/32	1 25/32	1.890	0.748	UCT307	T307	33.4	19.3	0.877	13.2												
	45	16	32	111	100	75	150	94	15	80	30	20	45	48	19																		
40 1 1/2	1 15/16	5/8	1 5/16	4 1/2	4 1/64	3 9/32	5 21/32	3 15/32	5/8	3 9/32	1 5/32	3/4	1 15/16	1.937	0.748	UCT208-24	T208	29.1	17.8	0.809	14.0												
	49	16	33	114	102	83	144	88	16	83	29	19	49	49.2	19	UCT208-25																	
																UCT208																	
40 1 1/2	1 15/16	5/8	1 13/32	4 19/32	4 1/64	3 9/32	5 21/32	3 7/16	19/32	3 9/32	1 5/32	3/4	1 15/16	1.937	0.748	UCTX08-24	TX08	34.1	21.3	0.968	14.0	UCTX08C	UCTX08CD	69 2 23/32	2.5								
	49	16	36	117	102	83	144	87	15	83	29	19	49	49.2	19	UCTX08																	
																UCT308-24	T308	40.7	24.0	1.09	13.2												
																UCT308																	
45 1 5/8	1 15/16	5/8	1 3/8	4 19/32	4 1/64	3 9/32	5 21/32	3 7/16	5/8	3 9/32	1 5/32	3/4	1 15/16	1.937	0.748	UCT209-26	T209	34.1	21.3	0.968	14.0												
	49	16	35	117	102	83	144	87	16	83	29	19	49	49.2	19	UCT209-27																	
																UCT209-28																	
																UCT209																	
45 1 3/4	1 15/16	5/8	1 1/2	4 19/32	4 1/64	3 9/32	5 7/8	3 17/32	5/8	3 3/8	1 5/32	3/4	1 15/16	2.031	0.748	UCTX09-28	TX09	35.1	23.3	1.06	14.4	UCTX09C	UCTX09CD	74 2 29/32	2.9								
	49	16	38	117	102	83	149	90	16	86	29	19	49	51.6	19	UCTX09																	

Remarks 1. In Part No. of unit and units with covers, fitting codes follow bore diameter numbers. (See Table 2.5 in P.11.)

2. Part No. of applicable grease nipples are shown below.

B-1/4-28UNF 201-210, X05-X09, 305-308

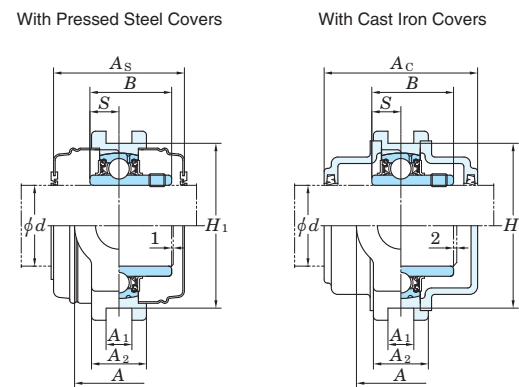
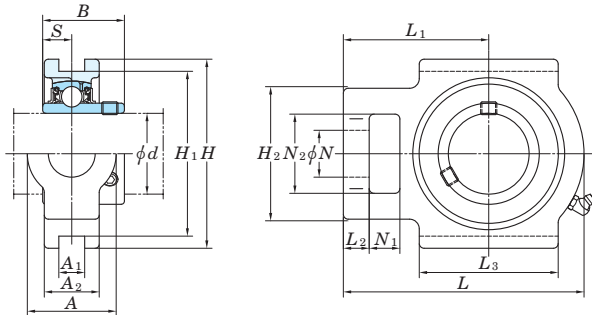
B-R1/8 211-217, X10-X17, 309-328

3. As for the triple-lip seal type product (from 201 to 205 are the double-lip seal type products), supplementary code L3 (L2) follows the Part No. of unit or bearing. (Example of Part No. : UCT206JL3, UC206L3)

4. As for the dimensions and forms of applicable bearings, see the dimensional tables of ball bearing for unit.

5. Housings of spheroidal graphite iron casting are also available.

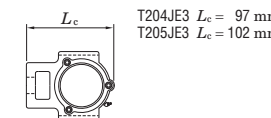
UCT
Cylindrical bore (with set screws)
d (45) ~ (75) mm



Variations of tolerance of groove width (ΔA_{1s}), variations of tolerance of distance between both grooves (ΔH_{1s}), and tolerance of symmetry of both groove sides (X)

Housing No.			ΔA_{1s}	ΔH_{1s}	X
T204-T210	TX05-TX10	T305-T310	+0.2 0	0 -0.5	0.5
T211-T217	TX11-TX17	T311-T318	+0.3 0	0 -0.8	0.6 0.7 0.8

Form and dimensions of L_c of T204JE3 and T205JE3 (housing with cast iron covers) are shown below.

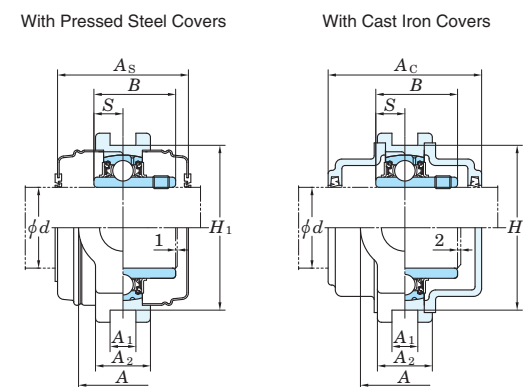
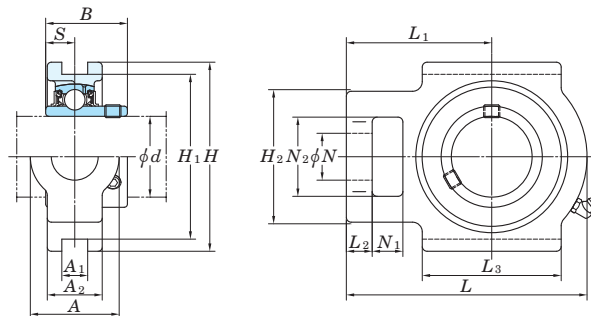


Shaft Dia. mm inch	Dimensions inch mm															Standard		Bearing No.	Mass kg	Basic			Factor	With Pressed Steel Covers			With Cast Iron Covers					
	d	A	A ₁	A ₂	H	H ₁	H ₂	L	L ₁	L ₂	L ₃	N	N ₁	N ₂	B	S	Unit No.			Housing No.	Load Ratings kN	Load Limit kN		f_0	Unit No.	Dimension mm inch	Mass kg	Unit No.	Dimension mm inch	Mass kg		
45 1 3/4	2 5/32	45/64	1 1/2	5 7/16	4 59/64	3 17/32	7	4 11/32	29/32	3 13/16	1 11/32	1 5/16	2 5/32	2.244	0.866	UCT309-28	T309	UC309-28	4.1	48.9	29.5	1.34	13.3	-	-	-	-	-	-	-	-	
	55	18	38	138	125	90	178	110	18	97	34	24	55	57	22	UCT309		UC309	4.1					UCT309C	UCT309CD	102	4 1/32	5.4				
50 1 7/8 1 15/16 2 1 15/16	1 15/16	5/8	1 15/32	4 19/32	4 1/64	3 9/32	5 7/8	3 17/32	5/8	3 3/8	1 5/32	3/4	1 15/16	2.031	0.748	UCT210-30	T210	UC210-30	2.6	35.1	23.3	1.06	14.4	-	-	-	-	-	-	-	-	-
	49	16	37	117	102	83	149	90	16	86	29	19	49	51.6	19	UCT210		UC210	2.6					UCT210C	UCT210CD	74	2 29/32	2.6				
	2															UCT210-32		UC210-32	2.6					-	-	-	-	-	-	-	-	
	1 15/16	2 17/32	55/64	1 21/32	5 3/4	5 1/8	4 1/32	6 23/32	4 3/16	3/4	3 3/4	1 3/8	31/32	2 17/32	2.189	0.874	UCTX10-31	TX10	UCX10-31	4.4	43.4	29.4	1.34	14.4	UCTX10C	UCTX10CD	76	3	4.4			
2															UCTX10-32		UCX10-32	4.4					-	-	-	-	-	-	-	-		
55 2 3/16 2 1/4	2 13/32	25/32	1 9/16	5 15/16	5 33/64	3 27/32	7 17/32	4 19/32	25/32	4 3/16	1 15/32	1 1/16	2 13/32	2.402	0.866	UCT310	T310	UC310	4.9	62.0	38.3	1.74	13.2	-	-	-	-	-	-	-	-	-
	61	20	40	151	140	98	191	117	20	106	37	27	61	61	22	UCT211-32	T211	UC211-32	4.0	43.4	29.4	1.34	14.4	UCT211C	UCT211CD	76	3	4.0				
60 2 3/8 2 7/16	2 17/32	55/64	1 1/2	5 3/4	5 1/8	4 1/32	6 23/32	4 3/16	3/4	3 3/4	1 3/8	31/32	2 17/32	2.189	0.874	UCT211-34		UC211-34	4.0					-	-	-	-	-	-	-	-	
	64	22	38	146	130	102	171	106	19	95	35	25	64	55.6	22.2	UCT211		UC211	4.0					UCT211FC	UCT211FCD	99	3 29/32	5.2				
	2 3/16															UCT211-35		UC211-35	4.0					-	-	-	-	-	-	-		
	2 1/4	2 17/32	55/64	1 23/32	5 3/4	5 1/8	4 1/32	7 5/8	4 11/16	3/4	4 1/32	1 3/8	1 1/4	2 17/32	2.563	1.000	UCTX11	TX11	UCX11	5.3	52.4	36.2	1.65	14.4	UCTX11C	UCTX11CD	89	3 1/2	5.3			
65 2 1/2	64	22	44	146	130	102	194	119	19	102	35	32	64	65.1	25.4	UCTX11-35		UCX11-35	5.3					-	-	-	-	-	-	-		
	2 1/4															UCTX11-36		UCX11-36	5.3					-	-	-	-	-	-	-		
	2	2 19/32	55/64	1 23/32	6 13/32	5 29/32	4 1/8	8 5/32	5	13/16	4 17/32	1 17/32	1 5/32	2 19/32	2.598	0.984	UCT311-32	T311	UC311-32	6.1	71.6	45.0	2.05	13.2	-	-	-	-	-	-	-	-
	2	66	22	44	163	150	105	207	127	21	115	39	29	66	66	25	UCT311		UC311	6.1					UCT311C	UCT311CD	114	4 1/2	7.9			
60 2 1/4 2 3/8 2 7/16	2 17/32	55/64	1 23/32	5 3/4	5 1/8	4 1/32	7 5/8	4 11/16	3/4	4 1/32	1 3/8	1 1/4	2 17/32	2.563	1.000	UCT212-36	T212	UC212-36	4.9	52.4	36.2	1.65	14.4	UCT212C	UCT212CD	89	3 1/2	4.9				
	64	22	42	146	130	102	194	119	19	102	35	32	64	65.1	25.4	UCT212		UC212	4.9					-	-	-	-	-	-	-		
	2 7/16															UCT212-38		UC212-38	4.9					-	-	-	-	-	-	-		
	2 7/16	2 3/4	1 1/32	1 7/8	6 9/16	5 15/16	4 3/8	8 13/16	5 13/32	13/16	4 3/4	1 5/8	1 1/4	2 3/4	2.563	1.000	UCTX12	TX12	UCX12	7.4	57.2	40.1	1.82	14.4	UCTX12C	UCTX12CD	89	3 1/2	7.4			
65 2 1/2	70	26	48	167	151	111	224	137	21	121	41	32	70	65.1	25.4	UCTX12-39		UCX12-39	7.4					-	-	-	-	-	-	-		
	2 7/16															UCT312	T312	UC312	7.6	81.9	52.2	2.37	13.2	-	-	-	-	-	-	-	-	
	2 1/2	2 25/32	55/64	1 13/16	7	6 19/64	4 7/16	8 21/32	5 9/16	29/32	4 27/32	1 5/8	1 7/32	2 25/32	2.795	1.024	UCT213-40	T213	UC213-40	6.9	57.2	40.1	1.82	14.4	UCT213C	UCT213CD	89	3 1/2	6.9			
	2 1/2	70	26	44	167	151	111	224	137	21	121	41	32	70	65.1	25.4	UCT213		UC213	6.9					UCT213FC	UCT213FCD	114	4 1/2	8.6			
70 2 3/4	2 1/2	2 3/4	1 1/32	1 7/8	6 9/16	5 15/16	4 3/8	8 13/16	5 13/32	13/16	4 3/4	1 5/8	1 1/4	2 3/4	2.937	1.189	UCTX13-40	TX13	UCX13-40	7.6	62.2	44.1	2.01	14.5	UCTX13C	UCTX13CD	99	3 29/32	7.6			
	2 1/2	70	26	48	167	151	111	224	137	21	121	41	32	70	74.6	30.2	UCTX13		UCX13	7.6					-	-	-	-	-	-		
	2 1/2	3 5/32	1 1/32	1 31/32	7 15/32	6 11/16	4 9/16	9 3/8	5 3/4	31/32	5 9/32	1 11/16	1 1/4	2 3/4	2.953	1.181	UCT313-40	T313	UC313-40	9.3	92.7	59.9	2.68	13.2	-	-	-	-	-	-	-	-
	2 1/2	80	26	50	190	170	116	238	146	25	134	43	32	70	75	30	UCT313		UC313	9.3					UCT313C	UCT313CD	122	4 13/16	11.4			
75 2 3/4	2 3/4	2 3/4	1 1/32	1 13/16	6 9/16	5 15/16	4 3/8	8 13/16	5 13/32	13/16	4 3/4	1 5/8	1 1/4	2 3/4	2.937	1.189	UCT214-44	T214	UC214-44	7.0	62.2	44.1	2.01	14.5	UCT214C	UCT214CD	99	3 29/32	7.0			
	2 3/4	70	26	46	167	151	111	224	137	21	121	41	32	70	74.6	30.2	UCT214		UC214	7.0					UCT214FC	UCT214FCD	124	4 7/8	8.9			
	2 3/4	2 3/4	1 1/32	1 7/8	6 9/16	5 15/16	4 3/8	9 1/8	5 1/2	13/16	4 3/4	1 5/8	1 1/4	2 3/4	3.063	1.331	UCTX14-44	TX14	UCX14-44	7.9	67.4	48.3	2.17	14.5	UCTX14C	UCTX14CD	99	3 29/32	7.9			
	2 3/4	70	26	48	167	151	111	232	140	21	121	41	32	70	77.8	33.3	UCTX14		UCX14	7.9					-	-	-	-	-			
75 3 2 15/16	2 3/4	3 17/32	1 1/32	2 1/16	7 15/16	7 3/32	5 1/8	9 29/32	6 3/32	31/32	5 1/2	1 13/16	1 13/32	3 11/32	3.071	1.299	UCT314-44	T314	UC314-44	11.1	104	68.2	2.96	13.2	-	-	-	-	-	-	-	-
	3	90	26	52	202	180	130	252	155	25	140	46	36	85	78	33	UCT314		UC314	11.1					UCT314C	UCT314CD	124	4 7/8	13.4			
	2 15/16	2 3/4	1 1/32	1 7/8	6 9/16	5 15/16	4 3/8	9 1/8	5 1/2	13/16	4 3/4	1 5/8	1 1/4	2 3/4	3.063	1.331	UCT215-47	T215	UC215-47	7.3	67.4	48.3	2.17	14.5	UCT215C	UCT215CD	99	3 29/32	7.3			
	2 15/16	70	26	48	167	151	111	232	140	21	121	41	32	70	77.8	33.3	UCT215		UC215	7.3					UCT215FC	UCT215FCD	124	4 7/8	9.2			
75 3	2 3/4	1 7/64	1 7/8	7 1/4	6 1/2	4 3/8	9 1/4	5 1/2	13/16	4 3/4	1 5/8	1 1/4	2 3/4	3.252	1.311	UCTX15-47	TX15	UCX15-47	8.7	72.7	53.0	2.30	14.6	UCTX15C	UCTX15CD	109	4 9/32	8.7				
	3	70	28	48	184	165	111	235	140	21	121	41	32	70	82.6	33.3	UCTX15		UCX15	8.7					-	-	-	-	-			

Remarks 1. In Part No. of unit and units with covers, fitting codes follow bore diameter numbers. (See Table 2.5 in P.11.)
2. Part No. of applicable grease nipples are shown below.
B-1/4-28UNF..... 201-210, X05-X09, 305-308
B-R1/8..... 211-217, X10-X17, 309-328

3. As for the triple-lip seal type product (from 201 to 205 are the double-lip seal type products), supplementary code L3 (L2) follows the Part No. of unit or bearing. (Example of Part No. : UCT206JL3, UC206L3)
4. As for the dimensions and forms of applicable bearings, see the dimensional tables of ball bearing for unit.
5. Housings of spheroidal graphite iron casting are also available.

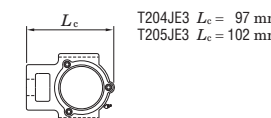
UCT
Cylindrical bore (with set screws)
d (75) ~ 140 mm



Variations of tolerance of groove width (ΔA_{1s}), variations of tolerance of distance between both grooves (ΔH_{1s}), and tolerance of symmetry of both groove sides (X)

Housing No.		ΔA_{1s}	ΔH_{1s}	X	Unit: mm
T204-T210	TX05-TX10 T305-T310	+0.2 0	0 -0.5	0.5	
T211-T217	TX11-TX17 T311-T318	+0.3 0	0 -0.8	0.6 0.7	
	T319-T322 T324-T328			0.8	

Form and dimensions of L_c of T204JE3 and T205JE3 (housing with cast iron covers) are shown below.



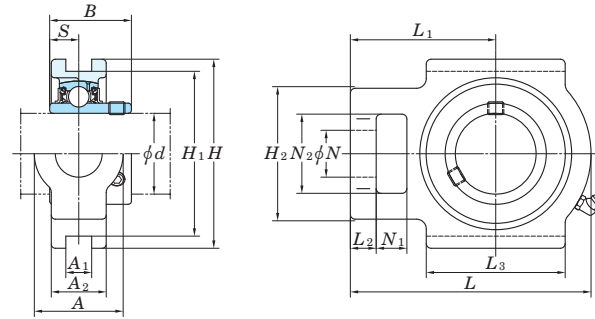
Shaft Dia. mm inch	Dimensions inch mm															Standard		Bearing No.	Mass kg	Basic			Factor	With Pressed Steel Covers			With Cast Iron Covers							
	d	A	A ₁	A ₂	H	H ₁	H ₂	L	L ₁	L ₂	L ₃	N	N ₁	N ₂	B	S	Unit No.			Housing No.	Load Ratings kN	Load Limit kN		f_0	Unit No.	Dimension mm inch	Mass kg	Unit No.	Dimension mm inch	Mass kg				
75 3	2 15/16	3 17/32	1 1/32	2 5/32	8 1/2	7 9/16	5 3/16	10 5/16	6 5/16	3 1/32	5 29/32	1 13/16	1 13/32	3 11/32	3.228	1.260	UCT315-47 UCT315 UCT315-48	T315	UC315-47 UC315 UC315-48	13.0 13.0 13.0	113 77.2	3.24	13.2	-	-	-	-	-	-	-	-	-		
	3 1/8	2 3/4	1 1/32	2	7 1/4	6 1/2	4 3/8	9 1/4	5 1/2	13/16	4 3/4	1 5/8	1 1/4	2 3/4	3.252	1.311	UCT216-50 UCT216	T216	UC216-50 UC216	8.2 8.2	72.7 53.0	2.30	14.6	UCT216C	UCT216CD	109	4 9/32	8.2	UCT216FC	UCT216FCD	138	5 7/16	10.6	
	-	2 7/8	1 7/64	2 1/8	7 25/32	6 13/16	4 7/8	10 1/4	6 3/8	1 3/32	6 3/16	1 7/8	1 1/2	2 7/8	3.374	1.343	UCTX16	TX16	UCX16	11.7	84.0 61.9	2.60	14.5	UCTX16C	UCTX16CD	113	4 7/16	11.7	-	-	-	-	-	-
80	-	4 1/32	1 3/16	2 3/8	9 1/16	8 1/32	5 29/32	11 3/32	6 27/32	1 3/32	6 5/16	2 3/32	1 21/32	3 27/32	3.386	1.339	UCT316	T316	UC316	16.2	123 86.7	3.53	13.3	-	-	-	-	-	-	UCT316C	UCT316CD	138	5 7/16	19.1
	3 1/4	2 7/8	1 3/16	2 1/8	7 25/32	6 13/16	4 7/8	10 1/4	6 3/8	1 5/32	6 3/16	1 7/8	1 1/2	2 7/8	3.374	1.343	UCT217-52 UCT217	T217	UC217-52 UC217	11.0 11.0	84.0 61.9	2.60	14.5	UCT217C	UCT217CD	113	4 7/16	11.0	UCT217FC	UCT217FCD	142	5 19/32	13.7	
	-	2 7/8	1 7/64	2 1/8	7 25/32	6 13/16	4 7/8	10 1/4	6 3/8	1 3/32	6 3/16	1 7/8	1 1/2	2 7/8	3.780	1.563	UCTX17 UCTX17-55	TX17	UCX17 UCX17-55	11.7 11.7	96.1 71.5	2.91	14.5	UCTX17C	UCTX17CD	123	4 27/32	11.7	-	-	-	-	-	-
85	3 7/16	4 1/32	1 17/64	2 17/32	9 7/16	8 27/64	5 31/32	11 23/32	7 7/32	1 3/16	6 11/16	2 3/32	1 21/32	3 27/32	3.780	1.575	UCT317	T317	UC317	19.0	133 96.8	3.82	13.3	-	-	-	-	-	-	UCT317C	UCT317CD	146	5 3/4	22.3
	-	4 11/32	1 17/64	2 19/32	10 1/32	8 31/32	6 9/16	12 9/32	7 9/16	1 3/16	6 7/8	2 1/4	1 13/16	4 3/16	3.780	1.575	UCT318-56 UCT318	T318	UC318-56 UC318	21.6 21.6	143 107	4.11	13.3	-	-	-	-	-	-	UCT318C	UCT318CD	150	5 29/32	25.4
	-	4 11/32	1 3/8	2 27/32	10 5/8	9 29/64	6 1/2	12 11/16	7 3/4	1 7/32	7 3/32	2 1/4	1 13/16	4 3/16	4.055	1.614	UCT319	T319	UC319	24.9	153 119	4.45	13.3	-	-	-	-	-	-	UCT319C	UCT319CD	162	6 3/8	29.2
90	3 1/2	4 23/32	1 3/8	2 15/16	11 13/32	10 15/64	6 7/8	13 19/32	8 9/32	1 1/4	7 7/8	2 5/16	1 7/8	4 17/32	4.252	1.654	UCT320 UCT320-63 UCT320-64	T320	UC320 UC320-63 UC320-64	30.7 30.7 30.7	173 141	5.08	13.2	-	-	-	-	-	-	UCT320C	UCT320CD	174	6 27/32	36.3
	-	4 23/32	1 3/8	2 15/16	11 13/32	10 15/64	6 7/8	13 19/32	8 9/32	1 1/4	7 7/8	2 5/16	1 7/8	4 17/32	4.409	1.732	UCT321	T321	UC321	36.7	184 153	5.41	13.2	-	-	-	-	-	-	UCT321C	UCT321CD	178	7	42.7
	-	5 1/8	1 1/2	3 5/32	12 19/32	11 7/32	7 9/32	15 5/32	9 1/4	1 1/2	8 15/32	2 9/16	2 1/16	4 29/32	4.606	1.811	UCT322	T322	UC322	39.7	205 180	6.15	13.2	-	-	-	-	-	-	UCT322C	UCT322CD	188	7 13/32	46.5
110	-	130	38	80	320	285	185	385	235	38	215	65	52	125	117	46	UCT324	T324	UC324	54.4	207 185	6.10	13.5	-	-	-	-	-	-	UCT324C	UCT324CD	196	7 23/32	63.9
	-	5 1/2	1 49/64	3 17/32	13 31/32	12 9/32	8 9/32	17	10 1/2	1 21/32	9 1/16	2 3/4	2 3/8	5 1/2	4.961	2.008	UCT326	T326	UC326	69.3	229 214	6.79	13.6	-	-	-	-	-	-	UCT326C	UCT326CD	214	8 7/16	81.4
	-	150	50	100	385	350	220	465	285	45	240	75	65	150	135	54	UCT328	T328	UC328	85.1	253 246	7.54	13.6	-	-	-	-	-	-	UCT328C	UCT328CD	222	8 3/4	101

Remarks 1. In Part No. of unit and units with covers, fitting codes follow bore diameter numbers. (See Table 2.5 in P.11.)
2. Part No. of applicable grease nipples are shown below.
B-1/4-28UNF..... 201-210, X05-X09, 305-308
B-R1/8..... 211-217, X10-X17, 309-328

3. As for the triple-lip seal type product (from 201 to 205 are the double-lip seal type products), supplementary code L3 (L2) follows the Part No. of unit or bearing. (Example of Part No. : UCT206JL3, UC206L3)
4. As for the dimensions and forms of applicable bearings, see the dimensional tables of ball bearing for unit.
5. Housings of spheroidal graphite iron casting are also available.

Take-up type

UCT-E
Cylindrical bore (with set screws)
d 12 ~ 50 mm



Variations of tolerance of groove width (Δ_{A1s}), variations of tolerance of distance between both grooves (Δ_{H1s}), and tolerance of symmetry of both groove sides (X)
Unit: mm

Housing No.	Δ_{A1s}	Δ_{H1s}	X
T204E-T210E	+0.2 0	0 -0.5	0.5
T211E-T217E	+0.3 0	0 -0.8	0.6

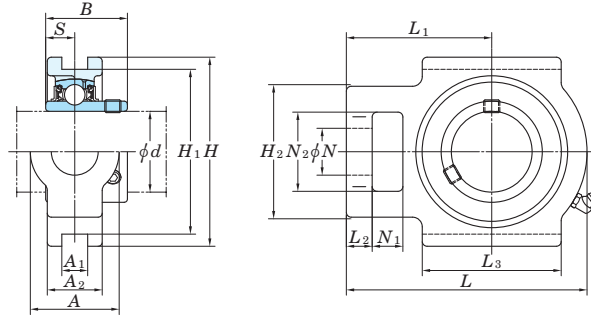
Shaft Dia. mm inch	Dimensions inch mm															Unit No.	Housing No.	Bearing No.	Basic Load Ratings kN		Fatigue Load Limit kN	Factor f_0	Mass kg		
	A	A ₁	A ₂	H	H ₁	H ₂	L	L ₁	L ₂	L ₃	N	N ₁	N ₂	B	S				C _r	C _{0r}				C _u	
12 15 17 20	1/2																UCT201E UCT201-8E UCT202E UCT202-10E UCT203E UCT204-12E UCT204E	T204E	UC201 UC201-8 UC202 UC202-10 UC203 UC204-12 UC204	12.8	6.65	0.302	13.2	0.81 0.79 0.78 0.76	
	5/8	1 1/4	17/32	13/16	3 1/2	3	2	3 11/16	2 13/32	13/32	2	3/4	5/8	1 1/4	1.220	0.500									
	3/4	32	13.5	21	89	76.2	51	94	61	10	51	19	16	32	31	12.7									
25	7/8																UCT205-14E UCT205-15E UCT205E UCT205-16E	T205E	UC205-14 UC205-15 UC205 UC205-16	14.0	7.85	0.357	13.9	0.84	
	15/16	1 1/4	17/32	15/16	3 1/2	3	2	3 13/16	2 7/16	13/32	2	3/4	5/8	1 1/4	1.343	0.563									
	1	32	13.5	24	89	76.2	51	97	62	10	51	19	16	32	34.1	14.3									
30	1 1/8																UCT206-18E UCT206E UCT206-19E UCT206-20E	T206E	UC206-18 UC206 UC206-19 UC206-20	19.5	11.3	0.514	13.9	1.4 1.3	
	1 3/16	1 15/32	17/32	1 3/32	4 1/32	3 1/2	2 7/32	4 7/16	2 3/4	13/32	2 1/4	7/8	5/8	1 15/32	1.500	0.626									
	1 1/4	37	13.5	28	102	88.9	56	113	70	10	57	22	16	37	38.1	15.9									
35	1 3/16																UCTX06E UCTX06-19E UCTX06-20E	TX06E	UCX06 UCX06-19 UCX06-20	25.7	15.4	0.700	13.9	1.7	
	1 1/4	1 15/32	17/32	1 3/16	4 1/32	3 1/2	2 17/32	5 3/32	3 1/16	1/2	2 17/32	7/8	5/8	1 15/32	1.689	0.689									
	1 1/4	37	13.5	30	102	88.9	64	129	78	13	64	22	16	37	42.9	17.5									
40	1 1/4																UCT207-20E UCT207-21E UCT207-22E UCT207E UCT207-23E	T207E	UC207-20 UC207-21 UC207-22 UC207 UC207-23	25.7	15.4	0.700	13.9	1.6	
	1 5/16	1 15/32	17/32	1 3/16	4 1/32	3 1/2	2 17/32	5 3/32	3 1/16	1/2	2 17/32	7/8	5/8	1 15/32	1.689	0.689									
	1 3/8	37	13.5	30	102	88.9	64	129	78	13	64	22	16	37	42.9	17.5									
45	1 7/16																UCTX07-22E UCTX07E UCTX07-23E	TX07E	UCX07-22 UCX07 UCX07-23	29.1	17.8	0.809	14.0	2.7	
	1 3/8	1 15/16	11/16	1 13/32	4 1/2	4	3 9/32	5 21/32	3 15/32	19/32	3 9/32	1 5/32	3/4	1 15/16	1.937	0.748									
	1 7/16	49	17.5	36	114	101.6	83	144	88	15	83	29	19	49	49.2	19									
50	1 1/2																UCT208-24E UCT208-25E UCT208E UCTX08-24E UCTX08E	T208E	UC208-24 UC208-25 UC208 UCX08-24 UCX08	29.1	17.8	0.809	14.0	2.5 2.6	
	1 9/16	1 15/16	11/16	1 5/16	4 1/2	4	3 9/32	5 21/32	3 15/32	19/32	3 9/32	1 5/32	3/4	1 15/16	1.937	0.748									
	1 1/2	49	17.5	33	114	101.6	83	144	88	16	83	29	19	49	49.2	19									
50	1 5/8																UCT209-26E UCT209-27E UCT209-28E UCT209E UCTX09-28E UCTX09E	T209E	UC209-26 UC209-27 UC209-28 UC209 UCX09-28 UCX09	34.1	21.3	0.968	14.0	2.4 2.9	
	1 11/16	1 15/16	11/16	1 3/8	4 19/32	4	3 9/32	5 21/32	3 7/16	5/8	3 9/32	1 5/32	3/4	1 15/16	1.937	0.748									
	1 3/4	49	17.5	35	117	101.6	83	144	87	16	83	29	19	49	49.2	19									
50	1 3/4																UCT210-30E UCT210-31E UCT210E UCT210-32E UCTX10-31E UCTX10E UCTX10-32E	TX09E	UCX09-28 UCX09	35.1	23.3	1.06	14.4	2.9	
	1 7/8	1 15/16	11/16	1 1/2	4 19/32	4	3 9/32	5 7/8	3 17/32	5/8	3 3/8	1 5/32	3/4	1 15/16	2.031	0.748									
	1 15/16	49	17.5	37	117	101.6	83	149	90	16	86	29	19	49	51.6	19									
50	2																UCT210-30E UCT210-31E UCT210E UCT210-32E UCTX10-31E UCTX10E UCTX10-32E	T210E	UC210-30 UC210-31 UC210 UC210-32	35.1	23.3	1.06	14.4	2.6	
	1 15/16	2 17/32	1 1/16	1 21/32	5 3/4	5 1/8	4 1/64	6 23/32	4 3/16	3/4	3 3/4	1 3/8	31/32	2 17/32	2.189	0.874									
	2	64	27	42	146	130.17	102	171	106	19	95	35	25	64	55.6	22.2									

Remarks 1. In Part No. of unit and units with covers, fitting codes follow bore diameter numbers. (See Table 2.5 in P.11.)
2. Part No. of applicable grease nipples are shown below.
B-1/4-28UNF 201~210, X05~X09
B-R1/8 211~217, X10~X17

3. As for the triple-lip seal type product (from 201 to 205 are the double-lip seal type products), supplementary code L3 (L2) follows the Part No. of unit or bearing. (Example of Part No. : UCT206EL3, UC206L3)
4. As for the dimensions and forms of applicable bearings, see the dimensional tables of ball bearing for unit.
5. Housings of spheroidal graphite iron casting are also available.

Take-up type

UCT-E
Cylindrical bore (with set screws)
d 55 ~ 85 mm



Variations of tolerance of groove width (Δ_{A1s}), variations of tolerance of distance between both grooves (Δ_{H1s}), and tolerance of symmetry of both groove sides (X)
Unit: mm

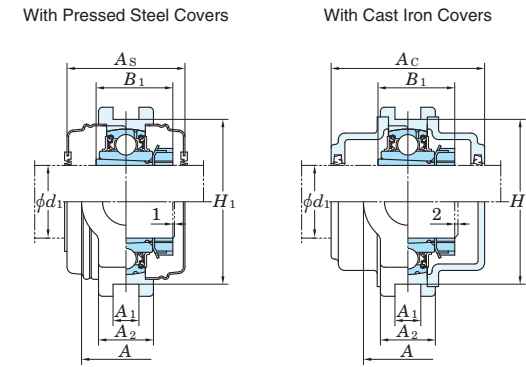
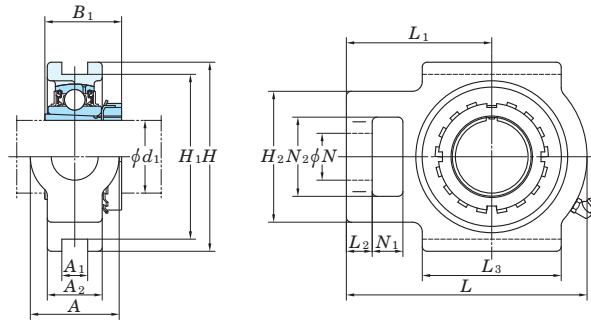
Housing No.	Δ_{A1s}	Δ_{H1s}	X
T204E-T210E TX05E-TX10E	+0.2 0	0 -0.5	0.5
T211E-T217E TX11E-TX17E	+0.3 0	0 -0.8	0.6

Shaft Dia. mm inch d	Dimensions inch mm															Unit No.	Housing No.	Bearing No.	Basic Load Ratings kN		Fatigue Load Limit kN C_u	Factor f_0	Mass kg								
	A	A ₁	A ₂	H	H ₁	H ₂	L	L ₁	L ₂	L ₃	N	N ₁	N ₂	B	S				C_r	C_{0r}											
55 2 2 1/8 2 3/16	2 17/32	1 1/16	1 1/2	5 3/4	5 1/8	4 1/64	6 23/32	4 3/16	3/4	3 3/4	1 3/8	3 1/32	2 17/32	2.189	0.874	UCT211-32E UCT211-34E UCT211E UCT211-35E	T211E	UC211-32 UC211-34 UC211 UC211-35	43.4	29.4	1.34	14.4	4.0								
	64	27	38	146	130.17	102	171	106	19	95	35	25	64	55.6	22.2																
	2 3/16	1 1/16	1 23/32	5 3/4	5 1/8	4 1/64	7 5/8	4 11/16	3/4	4 1/32	1 3/8	1 1/4	2 17/32	2.563	1.000									UCTX11E UCTX11-35E UCTX11-36E	TX11E	UCX11 UCX11-35 UCX11-36	52.4	36.2	1.65	14.4	5.3
	64	27	44	146	130.17	102	194	119	19	102	35	32	64	65.1	25.4																
60 2 1/4 2 3/8 2 7/16	2 17/32	1 1/16	1 21/32	5 3/4	5 1/8	4 1/64	7 5/8	4 11/16	3/4	4 1/32	1 3/8	1 1/4	2 17/32	2.563	1.000	UCT212-36E UCT212E UCT212-38E UCT212-39E	T212E	UC212-36 UC212 UC212-38 UC212-39	52.4	36.2	1.65	14.4	4.9								
	64	27	42	146	130.17	102	194	119	19	102	35	32	64	65.1	25.4																
	2 7/16	1 1/16	1 7/8	6 9/16	5 15/16	4 3/8	8 13/16	5 13/32	13/16	4 3/4	1 5/8	1 1/4	2 3/4	2.563	1.000									UCTX12E UCTX12-39E	TX12E	UCX12 UCX12-39	57.2	40.1	1.82	14.4	7.4
	70	27	48	167	150.8	111	224	137	21	121	41	32	70	65.1	25.4																
65 2 1/2 2 1/2	2 3/4	1 1/16	1 23/32	6 9/16	5 15/16	4 3/8	8 13/16	5 13/32	13/16	4 3/4	1 5/8	1 1/4	2 3/4	2.563	1.000	UCT213-40E UCT213E UCTX13-40E UCTX13E	T213E	UC213-40 UC213 UCX13-40 UCX13	57.2	40.1	1.82	14.4	6.9								
	70	27	44	167	150.8	111	224	137	21	121	41	32	70	65.1	25.4																
	2 1/2	1 1/16	1 7/8	6 9/16	5 15/16	4 3/8	8 13/16	5 13/32	13/16	4 3/4	1 5/8	1 1/4	2 3/4	2.937	1.189									UCT214-44E UCT214E UCTX14-44E UCTX14E	T214E	UC214-44 UC214 UCX14-44 UCX14	62.2	44.1	2.01	14.5	7.6
	70	27	48	167	150.8	111	224	137	21	121	41	32	70	74.6	30.2																
70 2 3/4 2 3/4	2 3/4	1 1/16	1 13/16	6 9/16	5 15/16	4 3/8	8 13/16	5 13/32	13/16	4 3/4	1 5/8	1 1/4	2 3/4	2.937	1.189	UCT214-44E UCT214E UCTX14-44E UCTX14E	T214E	UC214-44 UC214 UCX14-44 UCX14	62.2	44.1	2.01	14.5	7.0								
	70	27	46	167	150.8	111	224	137	21	121	41	32	70	74.6	30.2																
	2 3/4	1 1/16	1 7/8	6 9/16	5 15/16	4 3/8	9 1/8	5 1/2	13/16	4 3/4	1 5/8	1 1/4	2 3/4	3.063	1.331									UCT215-47E UCT215E UCT215-48E UCTX15-47E UCTX15E UCTX15-48E	T215E	UC215-47 UC215 UC215-48 UCX15-47 UCX15 UCX15-48	67.4	48.3	2.17	14.5	7.9
	70	27	48	167	150.8	111	232	140	21	121	41	32	70	77.8	33.3																
2 15/16	1 1/16	1 7/8	6 9/16	5 15/16	4 3/8	9 1/8	5 1/2	13/16	4 3/4	1 5/8	1 1/4	2 3/4	3.063	1.331	UCT215-47E UCT215E UCT215-48E UCTX15-47E UCTX15E UCTX15-48E	T215E	UC215-47 UC215 UC215-48 UCX15-47 UCX15 UCX15-48	67.4	48.3	2.17	14.5	7.3									
3	27	48	167	150.8	111	232	140	21	121	41	32	70	77.8	33.3																	
75 2 15/16 3	2 3/4	1 1/16	1 7/8	7 1/4	6 1/2	4 3/8	9 1/4	5 1/2	13/16	4 3/4	1 5/8	1 1/4	2 3/4	3.252									1.311	UCT216-50E UCT216E UCTX16E	T216E	UC216-50 UC216 UCX16	72.7	53.0	2.30	14.6	8.7
	70	27	48	184	165	111	235	140	21	121	41	32	70	82.6									33.3								
	2 15/16	1 1/16	1 7/8	7 1/4	6 1/2	4 3/8	9 1/4	5 1/2	13/16	4 3/4	1 5/8	1 1/4	2 3/4	3.252	1.311	UCT216-50E UCT216E UCTX16E	T216E	UC216-50 UC216 UCX16	72.7	53.0	2.30	14.6	8.2								
	3	27	51	184	165	111	235	140	21	121	41	32	70	82.6	33.3																
80 3 1/8 -	3 1/2	1 13/16	2 11/16	7 25/32	6 13/16	4 7/8	10 1/4	6 3/8	1 3/32	6 3/16	1 7/8	1 1/2	2 7/8	3.374	1.343									UCT217-52E UCT217E UCTX17E UCTX17-55E	T217E	UC217-52 UC217 UCX17 UCX17-55	84.0	61.9	2.60	14.5	12.4
	89	46	68	198	173	124	260	162	28	157	48	38	73	85.7	34.1																
	3 1/8	1 1/16	2	7 1/4	6 1/2	4 3/8	9 1/4	5 1/2	13/16	4 3/4	1 5/8	1 1/4	2 3/4	3.252	1.311	UCT216-50E UCT216E UCTX16E	T216E	UC216-50 UC216 UCX16	72.7	53.0	2.30	14.6	8.2								
	70	27	51	184	165	111	235	140	21	121	41	32	70	82.6	33.3																
3 1/2	1 13/16	2 11/16	7 25/32	6 13/16	4 7/8	10 1/4	6 3/8	1 3/32	6 3/16	1 7/8	1 1/2	2 7/8	3.374	1.343	UCT217-52E UCT217E UCTX17E UCTX17-55E									T217E	UC217-52 UC217 UCX17 UCX17-55	84.0	61.9	2.60	14.5	12.1	
89	46	68	198	173	124	260	162	29	157	48	38	73	85.7	34.1																	
85 3 1/4 3 7/16	3 1/2	1 13/16	2 11/16	7 25/32	6 13/16	4 7/8	10 1/4	6 3/8	1 3/32	6 3/16	1 7/8	1 1/2	2 7/8	3.780		1.563	UCT217-52E UCT217E UCTX17E UCTX17-55E	TX17E	UCX17 UCX17-55	96.1	71.5	2.91	14.5								13.3
	89	46	68	198	173	124	260	162	28	157	48	38	73	96		39.7															

Remarks 1. In Part No. of unit and units with covers, fitting codes follow bore diameter numbers. (See Table 2.5 in P.11.)
2. Part No. of applicable grease nipples are shown below.
B-1/4-28UNF 201-210, X05-X09
B-R1/8 211-217, X10-X17

3. As for the triple-lip seal type product (from 201 to 205 are the double-lip seal type products), supplementary code L3 (L2) follows the Part No. of unit or bearing. (Example of Part No. : UCT206EL3, UC206L3)
4. As for the dimensions and forms of applicable bearings, see the dimensional tables of ball bearing for unit.
5. Housings of spheroidal graphite iron casting are also available.

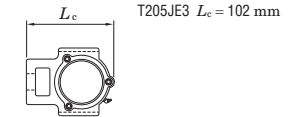
UKT
Tapered bore (with adapter)
d₁ 55 ~ 125 mm



Variations of tolerance of groove width (Δ_{A1s}), variations of tolerance of distance between both grooves (Δ_{H1s}), and tolerance of symmetry of both groove sides (X)

Housing No.		Δ_{A1s}	Δ_{H1s}	X
T205-T210	TX05-TX10	+0.2 0	0 -0.5	0.5
T211-T217	TX11-TX17	+0.3 0	0 -0.8	0.6 0.7 0.8

Form and dimension of L_c of T205JE3 (housing with cast iron covers) are shown below.



Shaft Dia. mm inch	Dimensions inch mm															Standard			Basic Load Ratings kN	Fatigue Load Limit kN	Factor f ₀	With Pressed Steel Covers			With Cast Iron Covers									
	d ₁	A	A ₁	A ₂	H	H ₁	H ₂	L	L ₁	L ₂	L ₃	N	N ₁	N ₂	B ₁	Unit No.	Housing No.	Bearing No.				Adapter Assembly No.	Mass kg	C _r	C _{0r}	C _u	Unit No.	Dimension mm inch	Mass kg	Unit No.	Dimension mm inch	Mass kg		
55	2 1/8	2 17/32	55/64	1 21/32	5 3/4	5 1/8	4 1/32	7 3/8	4 11/16	3/4	4 1/32	1 3/8	1 1/4	2 17/32	2 7/16	UKT212	T212	UK212	HS2312X H2312X	4.8 4.8	52.4	36.2	1.65	14.4	-	-	-	-	-	-	-	-	-	
	2 1/8	2 3/4	1 1/32	1 7/8	6 9/16	5 15/16	4 3/8	8 13/16	5 13/32	13/16	4 3/4	1 5/8	1 1/4	2 3/4	2 7/16	UKTX12	TX12	UKX12	HS2312X H2312X	7.3 7.3	57.2	40.1	1.82	14.4	UKT212C	UKT212CD	89 3 1/2	4.8	UKT212FC	UKT212FCD	114 4 1/2	6.3		
	2 1/8	2 25/32	55/64	1 13/16	7	6 19/64	4 7/16	8 21/32	5 5/16	29/32	4 27/32	1 5/8	1 7/32	2 25/32	2 7/16	UKT312	T312	UK312	HS2312X H2312X	7.5 7.5	81.9	52.2	2.37	13.2	-	-	-	-	-	-	UKT312C	UKT312CD	124 4 7/8	9.9
60	2 1/4	2 3/4	1 1/32	1 23/32	6 9/16	5 15/16	4 3/8	8 13/16	5 13/32	13/16	4 3/4	1 5/8	1 1/4	2 3/4	2 9/16	UKT213	T213	UK213	HE2313X H2313X HS2313X	6.8 6.8 6.8	57.2	40.1	1.82	14.4	UKT213C	UKT213CD	89 3 1/2	6.8	UKT213FC	UKT213FCD	114 4 1/2	8.5		
	2 1/4	2 3/4	1 1/32	1 7/8	6 9/16	5 15/16	4 3/8	8 13/16	5 13/32	13/16	4 3/4	1 5/8	1 1/4	2 3/4	2 9/16	UKTX13	TX13	UKX13	HE2313X H2313X HS2313X	7.2 7.2 7.2	62.2	44.1	2.01	14.5	UKTX13C	UKTX13CD	99 3 29/32	7.2	-	-	-	-	-	-
	2 1/4	3 5/32	1 1/32	1 31/32	7 15/32	6 11/16	4 9/16	9 3/8	5 3/4	31/32	5 9/32	1 11/16	1 1/4	2 3/4	2 9/16	UKT313	T313	UK313	HE2313X H2313X HS2313X	9.4 9.4 9.4	92.7	59.9	2.68	13.2	-	-	-	-	-	-	UKT313C	UKT313CD	122 4 13/16	11.6
65	2 1/2	2 3/4	1 1/32	1 13/16	6 9/16	5 15/16	4 3/8	8 13/16	5 13/32	13/16	4 3/4	1 5/8	1 1/4	2 3/4	2 7/8	UKT215	T215	UK215	HE2315X H2315X	7.4 7.4	67.4	48.3	2.17	14.5	UKT215C	UKT215CD	99 3 29/32	7.4	UKT215FC	UKT215FCD	124 4 7/8	9.4		
	2 1/2	2 3/4	1 7/64	1 7/8	7 1/4	6 1/2	4 3/8	9 1/4	5 1/2	13/16	4 3/4	1 5/8	1 1/4	2 3/4	2 7/8	UKTX15	TX15	UKX15	HE2315X H2315X	8.4 8.4	72.7	53.0	2.30	14.6	UKTX15C	UKTX15CD	109 4 9/32	8.4	-	-	-	-	-	-
	2 1/2	3 11/32	1 1/32	2 5/32	8 1/2	7 9/16	5 3/16	10 9/16	6 5/16	31/32	5 29/32	1 13/16	1 13/32	3 11/32	2 7/8	UKT315	T315	UK315	HE2315X H2315X	13.1 13.1	113	77.2	3.24	13.2	-	-	-	-	-	-	UKT315C	UKT315CD	134 5 9/32	15.9
70	2 3/4	2 3/4	1 1/32	2	7 1/4	6 1/2	4 3/8	9 1/4	5 1/2	13/16	4 3/4	1 5/8	1 1/4	2 3/4	3 1/16	UKT216	T216	UK216	HE2316X H2316X	8.5 8.5	72.7	53.0	2.30	14.6	UKT216C	UKT216CD	109 4 9/32	8.5	UKT216FC	UKT216FCD	138 5 7/16	11.0		
	2 3/4	2 7/8	1 7/64	2 1/8	7 25/32	6 13/16	4 7/8	10 1/4	6 3/8	1 3/32	6 3/16	1 7/8	1 1/2	2 7/8	3 1/16	UKTX16	TX16	UKX16	HE2316X H2316X	11.8 11.8	84.0	61.9	2.60	14.5	UKTX16C	UKTX16CD	113 4 7/16	11.8	-	-	-	-	-	-
	2 3/4	4 1/32	1 3/16	2 3/8	9 1/16	8 1/32	5 29/32	11 3/32	6 27/32	1 3/32	6 5/16	2 3/32	1 21/32	3 27/32	3 1/16	UKT316	T316	UK316	HE2316X H2316X	16.3 16.3	123	86.7	3.53	13.3	-	-	-	-	-	-	UKT316C	UKT316CD	138 5 7/16	19.4
75	3	2 7/8	1 3/16	2 1/8	7 25/32	6 13/16	4 7/8	10 1/4	6 3/8	1 5/32	6 3/16	1 7/8	1 1/2	2 7/8	3 7/32	UKT217	T217	UK217	H2317X HE2317X	11.2 11.2	84.0	61.9	2.60	14.5	UKT217C	UKT217CD	113 4 7/16	11.2	UKT217FC	UKT217FCD	142 5 19/32	14.0		
	3	2 7/8	1 7/64	2 1/8	7 25/32	6 13/16	4 7/8	10 1/4	6 3/8	1 3/32	6 3/16	1 7/8	1 1/2	2 7/8	3 7/32	UKTX17	TX17	UKX17	H2317X HE2317X	11.4 11.4	96.1	71.5	2.91	14.5	UKTX17C	UKTX17CD	123 4 27/32	11.4	-	-	-	-	-	-
	3	4 1/32	1 17/64	2 17/32	9 7/16	8 27/64	5 31/32	11 23/32	7 7/32	1 3/16	6 11/16	2 3/32	1 21/32	3 27/32	3 7/32	UKT317	T317	UK317	H2317X HE2317X	18.9 18.9	133	96.8	3.82	13.3	-	-	-	-	-	-	UKT317C	UKT317CD	146 5 3/4	22.4
80	-	4 11/32	1 17/64	2 19/32	10 1/32	8 31/32	6 5/16	12 9/32	7 9/16	1 3/16	6 7/8	2 1/4	1 13/16	4 3/16	3 3/8	UKT318	T318	UK318	H2318X	21.7	143	107	4.11	13.3	-	-	-	-	-	-	UKT318C	UKT318CD	150 5 29/32	25.9
85	3 1/4	4 11/32	1 3/8	2 27/32	10 5/8	9 29/64	6 1/2	12 11/16	7 3/4	1 7/32	7 3/32	2 1/4	1 13/16	4 3/16	3 17/32	UKT319	T319	UK319	HE2319X H2319X	25.2 25.2	153	119	4.45	13.3	-	-	-	-	-	-	UKT319C	UKT319CD	162 6 3/8	29.9
90	3 1/2	4 23/32	1 3/8	2 15/16	11 13/32	10 15/64	6 7/8	13 19/32	8 9/32	1 1/4	7 7/8	2 5/16	1 7/8	4 17/32	3 13/16	UKT320	T320	UK320	HE2320X H2320X	30.4 30.4	173	141	5.08	13.2	-	-	-	-	-	-	UKT320C	UKT320CD	174 6 27/32	36.6
100	4	5 1/8	1 1/2	3 3/32	12 13/32	11 7/32	7 9/32	15 3/32	9 1/4	1 1/2	8 15/32	2 9/16	2 1/16	4 29/32	4 1/8	UKT322	T322	UK322	H2322X HE2322X	39.5 39.5	205	180	6.15	13.2	-	-	-	-	-	-	UKT322C	UKT322CD	188 7 13/32	46.4
110	-	5 1/2	1 49/64	3 17/32	13 31/32	12 9/32	8 9/32	17	10 1/2	1 21/32	9 1/16	2 3/4	2 3/8	5 1/2	4 13/32	UKT324	T324	UK324	H2324	54.7	207	185	6.10	13.5	-	-	-	-	-	-	UKT324C	UKT324CD	196 7 23/32	65.0
115	4 1/2	5 29/32	1 31/32	3 15/16	15 5/32	13 25/32	8 21/32	18 5/16	11 7/32	1 25/32	9 7/16	2 15/16	2 9/16	5 29/32	4 3/4	UKT326	T326	UK326	HE2326 H2326	69.1 69.1	229	214	6.79	13.6	-	-	-	-	-	-	UKT326C	UKT326CD	214 8 7/16	82.4
125	-	6 3/32	1 31/32	3 15/16	16 11/32	14 61/64	9 1/16	20 9/32	12 13/32	1 31/32	10 1/32	3 5/32	2 3/4	6 5/16	5 5/32	UKT328	T328	UK328	H2328	85.1	253	246	7.54	13.6	-	-	-	-	-	-	UKT328C	UKT328CD	222 8 3/4	102

Remarks 1. In Part No. of unit and units with covers, fitting codes follow bore diameter numbers. (See Table 2.5 in P.11.)

2. Part No. of applicable grease nipples are shown below.

B-1/4-28UNF..... 205-210, X05-X09, 305-308

B-R1/8..... 211-217, X10-X17, 309-328

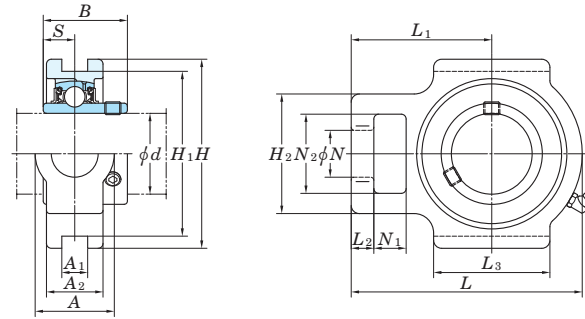
3. In Part No. of unit with adapters and bearing with adapters, Part No. of applicable adapter follow the Part No. shown in the dimensional tables. (Example of Part No. : UKT206J + H2306X, UK206 + H2306X)

4. As for the triple-lip seal type product (205 is the double-lip seal type product), supplementary code L3 (or L2) follows the Part No. of unit or bearing. (Example of Part No. : UKT206JL3 + H2306X, UK206L3 + H2306X)

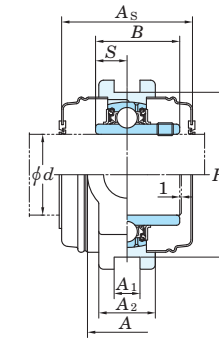
5. For the dimensions and forms of applicable bearings and adapters, see the dimensional tables of ball bearing for unit and adapter assemblies.

6. Housings of spheroidal graphite iron casting are also available.

UCST-H1S6
Cylindrical bore (with set screws)
 d 20 ~ 50 mm



With Pressed Stainless Steel Covers



Variations of tolerance of groove width (Δ_{A1s}), variations of tolerance of distance between both grooves (Δ_{H1s}), and tolerance of symmetry of both groove sides (X)

Housing No.	Δ_{A1s}	Δ_{H1s}	X
ST204H1-210H1	+0.2 0	0 -0.5	0.5

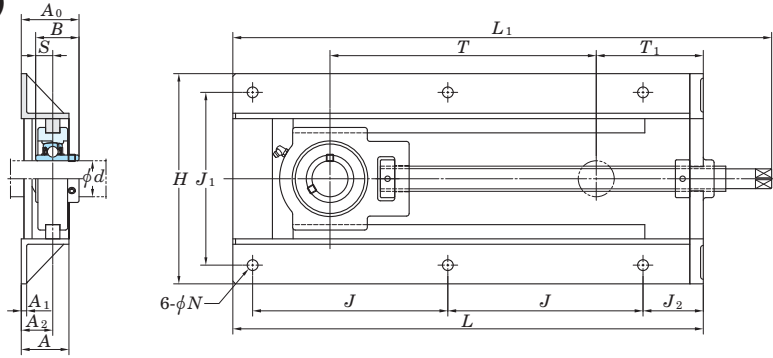
Unit: mm

Shaft Dia. mm d	Dimensions															Unit No.	Housing No.	Bearing No.	Basic Load Ratings kN C_r C_{0r}	Fatigue Load Limit kN C_u	Factor f_0	Mass kg	With Pressed Stainless Steel Covers					
	inch																						Open Ends Type	Closed End Type	Dimension mm inch A_s	Mass kg		
	A	A ₁	A ₂	H	H ₁	H ₂	L	L ₁	L ₂	L ₃	N	N ₁	N ₂	B	S													
20	1 1/4 32	15/32 12	29/32 23	3 1/2 89	2 63/64 76	1 13/16 46	3 1/2 89	2 5/16 59	1 11/32 9	1 23/32 44	3/4 19	23/32 18	1 1/4 32	1.220 31	0.500 12.7	UCST204H1S6	ST204H1	UC204S6	10.9	5.35	0.243	13.2	0.73	UCST204H1CS6	UCST204H1CDS6	45	1 25/32	0.73
25	1 1/4 32	15/32 12	31/32 25	3 1/2 89	2 63/64 76	1 13/16 46	3 21/32 93	2 3/8 60	1 11/32 9	1 23/32 44	3/4 19	23/32 18	1 1/4 32	1.343 34.1	0.563 14.3	UCST205H1S6	ST205H1	UC205S6	11.9	6.30	0.286	13.9	0.79	UCST205H1CS6	UCST205H1CDS6	49	1 15/16	0.79
30	1 15/32 37	15/32 12	1 1/16 27	4 1/32 102	3 1/2 89	2 1/16 52	4 3/16 106	2 5/8 67	1 11/32 9	1 31/32 50	7/8 22	23/32 18	1 15/32 37	1.500 38.1	0.626 15.9	UCST206H1S6	ST206H1	UC206S6	16.5	9.05	0.411	13.9	1.1	UCST206H1CS6	UCST206H1CDS6	53	2 3/32	1.1
35	1 15/32 37	15/32 12	1 7/32 31	4 1/32 102	3 1/2 89	2 7/32 56	4 11/16 119	2 15/16 75	7/16 11	2 7/32 56	7/8 22	23/32 18	1 15/32 37	1.689 42.9	0.689 17.5	UCST207H1S6	ST207H1	UC207S6	21.8	12.3	0.559	13.9	1.5	UCST207H1CS6	UCST207H1CDS6	60	2 3/8	1.5
40	1 15/16 49	5/8 16	1 1/4 32	4 1/2 114	4 1/64 102	2 29/32 74	5 5/16 135	3 11/32 85	9/16 14	2 17/32 64	1 5/32 29	25/32 20	1 15/16 49	1.937 49.2	0.748 19	UCST208H1S6	ST208H1	UC208S6	24.8	14.3	0.650	14.0	2.0	UCST208H1CS6	UCST208H1CDS6	69	2 23/32	2.0
45	1 15/16 49	5/8 16	1 11/32 34	4 19/32 117	4 1/64 102	2 29/32 74	5 13/32 137	3 11/32 85	9/16 14	2 19/32 66	1 5/32 29	25/32 20	1 15/16 49	1.937 49.2	0.748 19	UCST209H1S6	ST209H1	UC209S6	27.8	16.2	0.736	14.0	2.1	UCST209H1CS6	UCST209H1CDS6	69	2 23/32	2.1
50	1 15/16 49	5/8 16	1 3/8 35	4 19/32 117	4 1/64 102	2 29/32 74	5 5/8 143	3 7/16 87	9/16 14	2 27/32 72	1 5/32 29	25/32 20	1 15/16 49	2.031 51.6	0.748 19	UCST210H1S6	ST210H1	UC210S6	29.8	18.6	0.845	14.4	2.3	UCST210H1CS6	UCST210H1CDS6	74	2 29/32	2.3

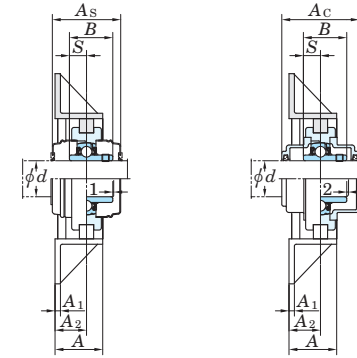
Remarks 1. In Part No. of unit and units with covers, fitting codes follow bore diameter codes. (See Table 2.5 in P.11.)
2. Part No. of the applicable grease nipple is B-1/4-28UNFN12.
3. For the dimensions and forms of applicable bearings, see the dimensional tables of ball bearing for unit.

Section steel frame take-up type

UCTH
Cylindrical bore (with set screws)
d 12 ~ 65 mm



With Pressed Steel Covers With Cast Iron Covers



Variations of tolerance of distance between centers of bolt holes ($\Delta J_s, \Delta J_{1s}$)

Nominal unit code	ΔJ_s	ΔJ_{1s}
UCTH201-UCTH213	±0.5	±0.5

Unit: mm

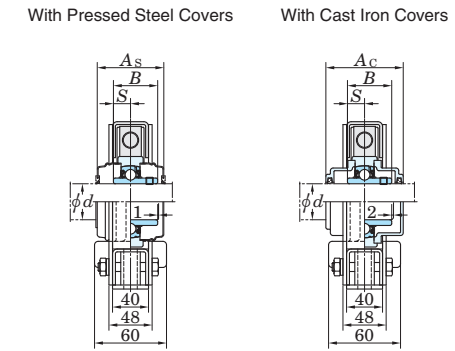
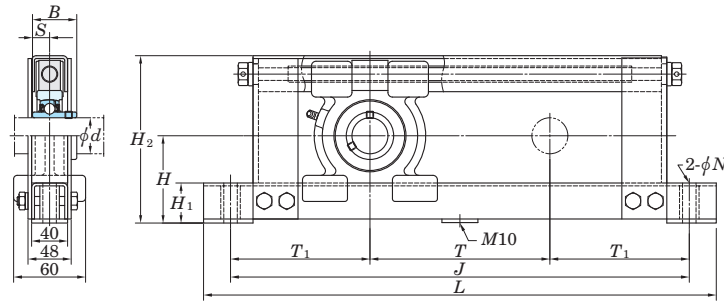
Shaft Dia. mm inch	Dimensions inch mm																Bolt Size inch mm	Standard Unit No.	Bearing No.	Mass kg	Basic Load Ratings kN		Fatigue Load Limit kN	Factor f_0	With Pressed Steel Covers				With Cast Iron Covers			
	H	L	L ₁	A	J	J ₁	J ₂	N	T	T ₁	A ₁	A ₂	A ₀	B	S	Open Ends Type					Closed End Type	Dimension mm inch			Mass kg	Open Ends Type	Closed End Type	Dimension mm inch	Mass kg			
12 1/2	7 7/8	12 17/32	14 13/16	1 31/32	4 39/64	6 1/16	2 9/16	15/32	6 1/32	3 15/32	1/4	1 7/64	1 13/16	1.220	0.500	M10	UCTH201-150	UC201	6.7	12.8	6.65	0.302	13.2	UCTH201C-150	UCTH201CD-150	45 1 25/32	6.7	-	-	-	-	
																	UCTH201-8-150	UC201-8	6.7					-	-	-	-	-				
																	UCTH202-150	UC202	6.7					-	-	-	-	-				
																	UCTH202-10-150	UC202-10	6.7					-	-	-	-	-				
																	UCTH203-150	UC203	6.7					-	-	-	-	-				
15 5/8	12 17/32	14 13/16	1 31/32	4 39/64	6 1/16	2 9/16	15/32	6 1/32	3 15/32	1/4	1 7/64	1 13/16	1.220	0.500	M10	UCTH204-12-150	UC204-12	6.7	14.0	7.85	0.357	13.9	UCTH204C-150	UCTH204CD-150	45 1 25/32	6.7	UCTH204FC-150	UCTH204FCD-150	62 2 7/16	7.0		
																UCTH204-150	UC204	6.7					-	-	-	-						
																UCTH205-14-150	UC205-14	6.7					-	-	-	-	-					
																UCTH205-15-150	UC205-15	6.7					-	-	-	-	-					
17 3/4	12 17/32	14 13/16	1 31/32	4 39/64	6 1/16	2 9/16	15/32	6 1/32	3 15/32	1/4	1 7/64	1 13/16	1.343	0.563	M10	UCTH205-150	UC205	6.7	19.5	11.3	0.514	13.9	UCTH205C-150	UCTH205CD-150	49 1 15/16	6.7	UCTH205FC-150	UCTH205FCD-150	66 2 19/32	7.1		
																UCTH205-16-150	UC205-16	6.7					-	-	-	-						
																UCTH206-18-150	UC206-18	8.0					-	-	-	-	-					
																UCTH206-150	UC206	8.0					-	-	-	-	-					
20	12 17/32	14 13/16	1 31/32	4 39/64	6 1/16	2 9/16	15/32	6 1/32	3 15/32	1/4	1 7/64	1 13/16	1.500	0.626	M10	UCTH206-19-150	UC206-19	8.0	25.7	15.4	0.700	13.9	UCTH206C-150	UCTH206CD-150	53 2 3/32	8.0	UCTH206FC-150	UCTH206FCD-150	70 2 3/4	8.5		
																UCTH206-20-150	UC206-20	8.0					-	-	-	-						
																UCTH207-20-230	UC207-20	10.5					-	-	-	-	-					
																UCTH207-21-230	UC207-21	10.5					-	-	-	-	-					
																UCTH207-22-230	UC207-22	10.5					-	-	-	-	-					
25	12 17/32	14 13/16	1 31/32	4 39/64	6 1/16	2 9/16	15/32	6 1/32	3 15/32	1/4	1 7/64	1 13/16	1.689	0.689	M10	UCTH207-230	UC207	10.5	29.1	17.8	0.809	14.0	UCTH207C-230	UCTH207CD-230	60 2 3/8	10.5	UCTH207FC-230	UCTH207FCD-230	78 3 1/16	11.2		
																UCTH207-23-230	UC207-23	10.5					-	-	-	-						
																UCTH208-24-300	UC208-24	12.5					-	-	-	-	-					
																UCTH208-25-300	UC208-25	12.5					-	-	-	-	-					
																UCTH208-300	UC208	12.5					-	-	-	-	-					
30	12 17/32	14 13/16	1 31/32	4 39/64	6 1/16	2 9/16	15/32	6 1/32	3 15/32	1/4	1 7/64	1 13/16	1.937	0.748	M10	UCTH209-26-300	UC209-26	12.4	34.1	21.3	0.968	14.0	UCTH209C-300	UCTH209CD-300	69 2 23/32	12.4	UCTH209FC-300	UCTH209FCD-300	88 3 15/32	13.2		
																UCTH209-27-300	UC209-27	12.4					-	-	-	-						
																UCTH209-28-300	UC209-28	12.4					-	-	-	-						
																UCTH209-300	UC209	12.4					-	-	-	-						
																UCTH210-30-300	UC210-30	12.6					-	-	-	-						
35	12 17/32	14 13/16	1 31/32	4 39/64	6 1/16	2 9/16	15/32	6 1/32	3 15/32	1/4	1 7/64	1 13/16	2.031	0.748	M12	UCTH210-31-300	UC210-31	12.6	35.1	23.3	1.06	14.4	UCTH210C-300	UCTH210CD-300	74 2 29/32	12.6	UCTH210FC-300	UCTH210FCD-300	97 3 13/16	13.6		
																UCTH210-300	UC210	12.6					-	-	-	-						
																UCTH210-32-300	UC210-32	12.6					-	-	-	-						
																UCTH211-32-300	UC211-32	20.1					-	-	-	-						
																UCTH211-34-300	UC211-34	20.1					-	-	-	-						
40	12 17/32	14 13/16	1 31/32	4 39/64	6 1/16	2 9/16	15/32	6 1/32	3 15/32	1/4	1 7/64	1 13/16	2.189	0.874	M12	UCTH211-300	UC211	20.1	43.4	29.4	1.34	14.4	UCTH211C-300	UCTH211CD-300	76 3	20.1	UCTH211FC-300	UCTH211FCD-300	99 3 29/32	21.3		
																UCTH211-35-300	UC211-35	20.1					-	-	-	-						
																UCTH212-36-300	UC212-36	21.4					-	-	-	-						
																UCTH212-300	UC212	21.4					-	-	-	-						
																UCTH212-38-300	UC212-38	21.4					-	-	-	-						
45	12 17/32	14 13/16	1 31/32	4 39/64	6 1/16	2 9/16	15/32	6 1/32	3 15/32	1/4	1 7/64	1 13/16	2.563	1.000	M12	UCTH212-39-300	UC212-39	21.4	52.4	36.2	1.65	14.4	UCTH212C-300	UCTH212CD-300	89 3 1/2	21.4	UCTH212FC-300	UCTH212FCD-300	114 4 1/2	21.9		
																UCTH213-40-300	UC213-40	25.5					-	-	-	-						
																UCTH213-300	UC213	25.5					-	-	-	-						
																UCTH213-300	UC213	25.5					-	-	-	-						
																UCTH213-300	UC213	25.5					-	-	-	-						
50	13 1/16	23 31/32	28 1/16	2 9/16	10 15/64	10 15/64	2 5/8	19/32	11 13/16	7	1/4	1 11/16	3 1/4	2.563	1.000	M12	UCTH213C-300	UCTH213CD-300	89 3 1/2	25.5	UCTH213FC-300	UCTH213FCD-300	114 4 1/2	27.2								

Remarks 1. In Part No. of unit and units with covers, fitting codes follow bore diameter numbers. (See Table 2.5 in P.11.)
 2. Part No. of applicable grease nipples are shown below.
 B-1/4-28UNF 201-210
 B-R1/8 211-213
 3. As for the triple-lip seal type product (from 201 to 205 are the double-lip seal type products), supplementary code L3 (or L2) follows the Part No. of unit or bearing. (Example of Part No. : UCTH206JL3-150, UC206L3)

4. If heavy load ($P_r/C_r > 0.12$), vibration, or impact occurs, contact with JTEKT.
 5. For the dimensions and forms of applicable bearings, see the dimensional tables of ball bearing for unit.
 6. Tapered bore (with adapter) type products are also available.
 (Example of Part No. : UKTH205J-150 + H2305X, UK205 + H2305X)

Channel steel frame take-up type

UCTL
Cylindrical bore (with set screws)
d 20 ~ 45 mm



Variations of tolerance of distance from mounting bottom to center of spherical bore (ΔH_s) and variations of tolerance of distance between centers of bolt holes (ΔJ_s)

Nominal unit code	ΔH_s	ΔJ_s
UCTL204-207	±2	±0.5
UCTL208, 209		±0.8

Unit: mm

Shaft Dia. mm <i>d</i>	Dimensions mm											Bolt Size mm	Standard			Basic Load Ratings kN <i>C_r</i> <i>C_{0r}</i>	Fatigue Load Limit kN <i>C_u</i>	Factor <i>f₀</i>	With Pressed Steel Covers				With Cast Iron Covers												
	<i>H</i>	<i>H₁</i>	<i>H₂</i>	<i>L</i>	<i>J</i>	<i>N</i>	<i>T</i>	<i>T₁</i>	<i>B</i>	<i>S</i>	Unit No.		Bearing No.	Mass kg	Open Ends Type				Closed End Type	Dimension mm <i>A_s</i>	Mass kg	Open Ends Type	Closed End Type	Dimension mm <i>A_e</i>	Mass kg										
20	77	44	146	430	370	15	100	135	31	12.7	M12	UCTL204-100	UC204	6.0	12.8	6.65	0.302	13.2	UCTL204C-100	UCTL204CD-100	45	6.0	-	-	-	-	-	-	-	-	-	-			
	77	44	146	530	470	15	200	135	31	12.7	M12	UCTL204-200	UC204	7.0	12.8	6.65	0.302	13.2	UCTL204C-200	UCTL204CD-200	45	7.0	-	-	-	-	-	-	-	-	-	-			
	77	44	146	630	570	15	300	135	31	12.7	M12	UCTL204-300	UC204	7.5	12.8	6.65	0.302	13.2	UCTL204C-300	UCTL204CD-300	45	7.5	-	-	-	-	-	-	-	-	-	-			
	77	44	146	730	670	15	400	135	31	12.7	M12	UCTL204-400	UC204	8.0	12.8	6.65	0.302	13.2	UCTL204C-400	UCTL204CD-400	45	8.0	-	-	-	-	-	-	-	-	-	-			
25	82	44	156	440	380	15	100	140	34.1	14.3	M12	UCTL205-100	UC205	7.0	14.0	7.85	0.357	13.9	UCTL205C-100	UCTL205CD-100	49	7.0	-	-	-	-	-	-	-	-	-	-			
	82	44	156	540	480	15	200	140	34.1	14.3	M12	UCTL205-200	UC205	7.5	14.0	7.85	0.357	13.9	UCTL205C-200	UCTL205CD-200	49	7.5	-	-	-	-	-	-	-	-	-	-			
	82	44	156	640	580	15	300	140	34.1	14.3	M12	UCTL205-300	UC205	8.0	14.0	7.85	0.357	13.9	UCTL205C-300	UCTL205CD-300	49	8.0	-	-	-	-	-	-	-	-	-	-			
	82	44	156	740	680	15	400	140	34.1	14.3	M12	UCTL205-400	UC205	9.0	14.0	7.85	0.357	13.9	UCTL205C-400	UCTL205CD-400	49	9.0	-	-	-	-	-	-	-	-	-	-			
30	87	44	166	450	390	15	100	145	38.1	15.9	M12	UCTL206-100	UC206	7.0	19.5	11.3	0.514	13.9	UCTL206C-100	UCTL206CD-100	53	7.0	UCTL206FC-100	UCTL206FCD-100	70	7.5	-	-	-	-	-	-	-	-	-
	87	44	166	550	490	15	200	145	38.1	15.9	M12	UCTL206-200	UC206	8.0	19.5	11.3	0.514	13.9	UCTL206C-200	UCTL206CD-200	53	8.0	UCTL206FC-200	UCTL206FCD-200	70	8.5	-	-	-	-	-	-	-	-	-
	87	44	166	650	590	15	300	145	38.1	15.9	M12	UCTL206-300	UC206	9.0	19.5	11.3	0.514	13.9	UCTL206C-300	UCTL206CD-300	53	9.0	UCTL206FC-300	UCTL206FCD-300	70	9.5	-	-	-	-	-	-	-	-	-
	87	44	166	750	690	15	400	145	38.1	15.9	M12	UCTL206-400	UC206	9.5	19.5	11.3	0.514	13.9	UCTL206C-400	UCTL206CD-400	53	9.5	UCTL206FC-400	UCTL206FCD-400	70	10	-	-	-	-	-	-	-	-	-
35	92	44	176	460	400	15	100	150	42.9	17.5	M12	UCTL207-100	UC207	8.0	25.7	15.4	0.700	13.9	UCTL207C-100	UCTL207CD-100	60	8.0	UCTL207FC-100	UCTL207FCD-100	78	9.0	-	-	-	-	-	-	-	-	-
	92	44	176	560	500	15	200	150	42.9	17.5	M12	UCTL207-200	UC207	8.5	25.7	15.4	0.700	13.9	UCTL207C-200	UCTL207CD-200	60	8.5	UCTL207FC-200	UCTL207FCD-200	78	9.5	-	-	-	-	-	-	-	-	-
	92	44	176	660	600	15	300	150	42.9	17.5	M12	UCTL207-300	UC207	9.0	25.7	15.4	0.700	13.9	UCTL207C-300	UCTL207CD-300	60	9.0	UCTL207FC-300	UCTL207FCD-300	78	10	-	-	-	-	-	-	-	-	-
	92	44	176	760	700	15	400	150	42.9	17.5	M12	UCTL207-400	UC207	10	25.7	15.4	0.700	13.9	UCTL207C-400	UCTL207CD-400	60	10	UCTL207FC-400	UCTL207FCD-400	78	11	-	-	-	-	-	-	-	-	-
40	97	44	186	470	410	15	100	155	49.2	19	M12	UCTL208-100	UC208	8.5	29.1	17.8	0.809	14.0	UCTL208C-100	UCTL208CD-100	69	8.5	UCTL208FC-100	UCTL208FCD-100	86	9.5	-	-	-	-	-	-	-	-	-
	97	44	186	570	510	15	200	155	49.2	19	M12	UCTL208-200	UC208	9.0	29.1	17.8	0.809	14.0	UCTL208C-200	UCTL208CD-200	69	9.0	UCTL208FC-200	UCTL208FCD-200	86	10	-	-	-	-	-	-	-	-	-
	97	44	186	670	610	15	300	155	49.2	19	M12	UCTL208-300	UC208	10	29.1	17.8	0.809	14.0	UCTL208C-300	UCTL208CD-300	69	10	UCTL208FC-300	UCTL208FCD-300	86	11	-	-	-	-	-	-	-	-	-
	97	44	186	770	710	15	400	155	49.2	19	M12	UCTL208-400	UC208	10.5	29.1	17.8	0.809	14.0	UCTL208C-400	UCTL208CD-400	69	10.5	UCTL208FC-400	UCTL208FCD-400	86	11.5	-	-	-	-	-	-	-	-	-
45	100	44	192	480	420	15	100	160	49.2	19	M12	UCTL209-100	UC209	9.0	34.1	21.3	0.968	14.0	UCTL209C-100	UCTL209CD-100	69	9.0	UCTL209FC-100	UCTL209FCD-100	88	10	-	-	-	-	-	-	-	-	-
	100	44	192	580	520	15	200	160	49.2	19	M12	UCTL209-200	UC209	9.5	34.1	21.3	0.968	14.0	UCTL209C-200	UCTL209CD-200	69	9.5	UCTL209FC-200	UCTL209FCD-200	88	10.5	-	-	-	-	-	-	-	-	-
	100	44	192	680	620	15	300	160	49.2	19	M12	UCTL209-300	UC209	10.5	34.1	21.3	0.968	14.0	UCTL209C-300	UCTL209CD-300	69	10.5	UCTL209FC-300	UCTL209FCD-300	88	11.5	-	-	-	-	-	-	-	-	-
	100	44	192	780	720	15	400	160	49.2	19	M12	UCTL209-400	UC209	11	34.1	21.3	0.968	14.0	UCTL209C-400	UCTL209CD-400	69	11	UCTL209FC-400	UCTL209FCD-400	88	12	-	-	-	-	-	-	-	-	-

Remarks 1. In Part No. of unit and units with covers, fitting codes follow bore diameter codes. (See Table 2.5 in P.11.)

2. Part No. of applicable grease nipples is C-1/4-28UNF.

3. As for the triple-lip seal type product (204 and 205 are the double-lip seal type products), supplementary code L3 (or L2) follows the Part No. of unit or bearing. (Example of Part No. : UCTL206JL3-100, UC206L3)

4. The unit should be mounted so that load is applied to the frame mounting surface vertically and downward.

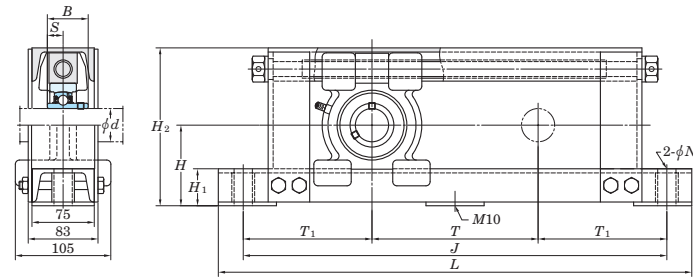
5. If heavy load ($P_r/C_r > 0.12$), vibration, or impact occurs, contact with JTEKT.

6. Tapered bore (with adapter) type bearing units are also available. (Example of Part No. : UKTL206J-100 + H2306X, UK206 + H2306X)

7. If frame parts need to be corrosion resistant, contact with JTEKT.

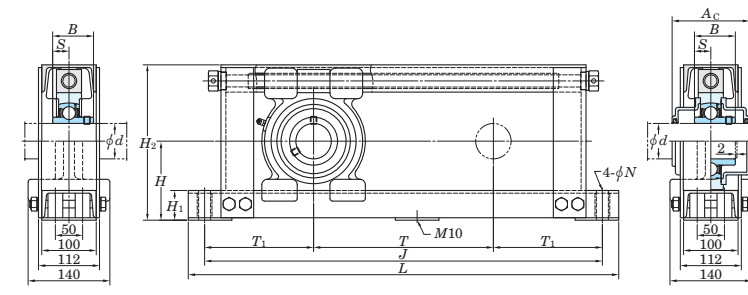
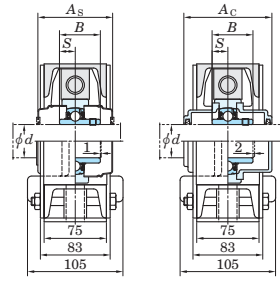
8. For the dimensions and forms of applicable bearings, see the dimensional tables of ball bearing for unit.

UCTU
Cylindrical bore (with set screws)
d 40 ~ 80 mm



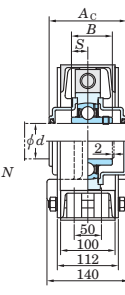
UCTU200

With Pressed Steel Covers With Cast Iron Covers



UCTU300

With Cast Iron Covers



Variations of tolerance of distance from mounting bottom to center of spherical bore (ΔH_s) and variations of tolerance of distance between centers of bolt holes (ΔJ_s)

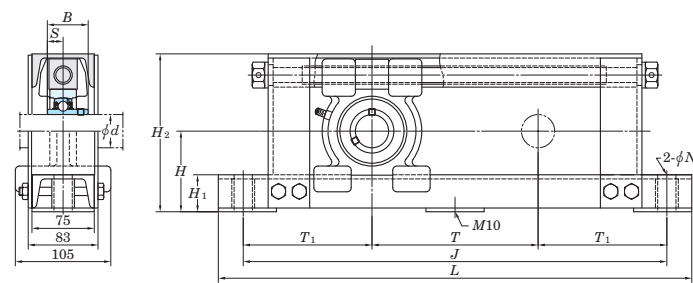
Nominal unit code	ΔH_s	ΔJ_s
UCTU208-212	±2	±0.8
UCTU313-315		±0.8
UCTU316-318		±1.2

Unit: mm

Shaft Dia. mm <i>d</i>	Dimensions mm											Bolt Size mm	Standard			Basic Load Ratings kN <i>C_r</i> <i>C_{0r}</i>	Fatigue Load Limit kN <i>C_u</i>	Factor <i>f₀</i>	With Pressed Steel Covers				With Cast Iron Covers			
	<i>H</i>	<i>H₁</i>	<i>H₂</i>	<i>L</i>	<i>J</i>	<i>N</i>	<i>T</i>	<i>T₁</i>	<i>B</i>	<i>S</i>	Unit No.		Bearing No.	Mass kg	Unit No.				Dimension mm <i>A_s</i>	Mass kg	Unit No.	Dimension mm <i>A_c</i>	Mass kg			
	<i>Open Ends Type</i>	<i>Closed End Type</i>	<i>Open Ends Type</i>	<i>Closed End Type</i>																						
40	97	44	190	870	810	22	500	155	49.2	19	M18	UCTU208-500	UC208	21	29.1	17.8	0.809	14.0	UCTU208C-500	UCTU208CD-500	69	21	UCTU208FC-500	UCTU208FCD-500	86	22
	97	44	190	970	910	22	600	155	49.2	19	M18	UCTU208-600	UC208	22	29.1	17.8	0.809	14.0	UCTU208C-600	UCTU208CD-600	69	22	UCTU208FC-600	UCTU208FCD-600	86	23
	97	44	190	1070	1010	22	700	155	49.2	19	M18	UCTU208-700	UC208	24	29.1	17.8	0.809	14.0	UCTU208C-700	UCTU208CD-700	69	24	UCTU208FC-700	UCTU208FCD-700	86	25
	97	44	190	1170	1110	22	800	155	49.2	19	M18	UCTU208-800	UC208	26	29.1	17.8	0.809	14.0	UCTU208C-800	UCTU208CD-800	69	26	UCTU208FC-800	UCTU208FCD-800	86	27
	97	44	190	1270	1210	22	900	155	49.2	19	M18	UCTU208-900	UC208	28	29.1	17.8	0.809	14.0	UCTU208C-900	UCTU208CD-900	69	28	UCTU208FC-900	UCTU208FCD-900	86	29
45	102	44	200	880	820	22	500	160	49.2	19	M18	UCTU209-500	UC209	22	34.1	21.3	0.968	14.0	UCTU209C-500	UCTU209CD-500	69	22	UCTU209FC-500	UCTU209FCD-500	88	23
	102	44	200	980	920	22	600	160	49.2	19	M18	UCTU209-600	UC209	24	34.1	21.3	0.968	14.0	UCTU209C-600	UCTU209CD-600	69	24	UCTU209FC-600	UCTU209FCD-600	88	25
	102	44	200	1080	1020	22	700	160	49.2	19	M18	UCTU209-700	UC209	25	34.1	21.3	0.968	14.0	UCTU209C-700	UCTU209CD-700	69	25	UCTU209FC-700	UCTU209FCD-700	88	26
	102	44	200	1180	1120	22	800	160	49.2	19	M18	UCTU209-800	UC209	27	34.1	21.3	0.968	14.0	UCTU209C-800	UCTU209CD-800	69	27	UCTU209FC-800	UCTU209FCD-800	88	28
	102	44	200	1280	1220	22	900	160	49.2	19	M18	UCTU209-900	UC209	29	34.1	21.3	0.968	14.0	UCTU209C-900	UCTU209CD-900	69	29	UCTU209FC-900	UCTU209FCD-900	88	30
50	107	44	210	890	830	22	500	165	51.6	19	M18	UCTU210-500	UC210	23	35.1	23.3	1.06	14.4	UCTU210C-500	UCTU210CD-500	74	23	UCTU210FC-500	UCTU210FCD-500	97	24
	107	44	210	990	930	22	600	165	51.6	19	M18	UCTU210-600	UC210	25	35.1	23.3	1.06	14.4	UCTU210C-600	UCTU210CD-600	74	25	UCTU210FC-600	UCTU210FCD-600	97	26
	107	44	210	1090	1030	22	700	165	51.6	19	M18	UCTU210-700	UC210	27	35.1	23.3	1.06	14.4	UCTU210C-700	UCTU210CD-700	74	27	UCTU210FC-700	UCTU210FCD-700	97	28
	107	44	210	1190	1130	22	800	165	51.6	19	M18	UCTU210-800	UC210	28	35.1	23.3	1.06	14.4	UCTU210C-800	UCTU210CD-800	74	28	UCTU210FC-800	UCTU210FCD-800	97	29
	107	44	210	1290	1230	22	900	165	51.6	19	M18	UCTU210-900	UC210	30	35.1	23.3	1.06	14.4	UCTU210C-900	UCTU210CD-900	74	30	UCTU210FC-900	UCTU210FCD-900	97	31
55	115	44	230	910	850	22	500	175	55.6	22.2	M18	UCTU211-500	UC211	25	43.4	29.4	1.34	14.4	UCTU211C-500	UCTU211CD-500	76	25	UCTU211FC-500	UCTU211FCD-500	99	26
	115	44	230	1010	950	22	600	175	55.6	22.2	M18	UCTU211-600	UC211	27	43.4	29.4	1.34	14.4	UCTU211C-600	UCTU211CD-600	76	27	UCTU211FC-600	UCTU211FCD-600	99	28
	115	44	230	1110	1050	22	700	175	55.6	22.2	M18	UCTU211-700	UC211	28	43.4	29.4	1.34	14.4	UCTU211C-700	UCTU211CD-700	76	28	UCTU211FC-700	UCTU211FCD-700	99	29
	115	44	230	1210	1150	22	800	175	55.6	22.2	M18	UCTU211-800	UC211	30	43.4	29.4	1.34	14.4	UCTU211C-800	UCTU211CD-800	76	30	UCTU211FC-800	UCTU211FCD-800	99	31
	115	44	230	1310	1250	22	900	175	55.6	22.2	M18	UCTU211-900	UC211	32	43.4	29.4	1.34	14.4	UCTU211C-900	UCTU211CD-900	76	32	UCTU211FC-900	UCTU211FCD-900	99	33
60	120	44	240	920	860	22	500	180	65.1	25.4	M18	UCTU212-500	UC212	26	52.4	36.2	1.65	14.4	UCTU212C-500	UCTU212CD-500	89	26	UCTU212FC-500	UCTU212FCD-500	114	28
	120	44	240	1020	960	22	600	180	65.1	25.4	M18	UCTU212-600	UC212	28	52.4	36.2	1.65	14.4	UCTU212C-600	UCTU212CD-600	89	28	UCTU212FC-600	UCTU212FCD-600	114	30
	120	44	240	1120	1060	22	700	180	65.1	25.4	M18	UCTU212-700	UC212	30	52.4	36.2	1.65	14.4	UCTU212C-700	UCTU212CD-700	89	30	UCTU212FC-700	UCTU212FCD-700	114	32
	120	44	240	1220	1160	22	800	180	65.1	25.4	M18	UCTU212-800	UC212	31	52.4	36.2	1.65	14.4	UCTU212C-800	UCTU212CD-800	89	31	UCTU212FC-800	UCTU212FCD-800	114	33
	120	44	240	1320	1260	22	900	180	65.1	25.4	M18	UCTU212-900	UC212	33	52.4	36.2	1.65	14.4	UCTU212C-900	UCTU212CD-900	89	33	UCTU212FC-900	UCTU212FCD-900	114	35
65	145	55	285	940	880	22	500	190	75	30	M18	UCTU313-500	UC313	40	92.7	59.9	2.68	13.2	-	-	-	-	UCTU313C-500	UCTU313CD-500	122	42
	145	55	285	1040	980	22	600	190	75	30	M18	UCTU313-600	UC313	43	92.7	59.9	2.68	13.2	-	-	-	-	UCTU313C-600	UCTU313CD-600	122	45
	145	55	285	1140	1080	22	700	190	75	30	M18	UCTU313-700	UC313	46	92.7	59.9	2.68	13.2	-	-	-	-	UCTU313C-700	UCTU313CD-700	122	48
	145	55	285	1240	1180	22	800	190	75	30	M18	UCTU313-800	UC313	49	92.7	59.9	2.68	13.2	-	-	-	-	UCTU313C-800	UCTU313CD-800	122	51
	145	55	285	1340	1280	22	900	190	75	30	M18	UCTU313-900	UC313	51	92.7	59.9	2.68	13.2	-	-	-	-	UCTU313C-900	UCTU313CD-900	122	53
70	150	55	295	960	900	22	500	200	78	33	M18	UCTU314-500	UC314	44	104	68.2	2.96	13.2	-	-	-	-	UCTU314C-500	UCTU314CD-500	124	46
	150	55	295	1060	1000	22	600	200	78	33	M18	UCTU314-600	UC314	46	104	68.2	2.96	13.2	-	-	-	-	UCTU314C-600	UCTU314CD-600	124	48
	150	55	295	1160	1100	22	700	200	78	33	M18	UCTU314-700	UC314	48	104	68.2	2.96	13.2	-	-	-	-	UCTU314C-700	UCTU314CD-700	124	50
	150	55	295	1260	1200	22	800	200	78	33	M18	UCTU314-800	UC314	51	104	68.2	2.96	13.2	-	-	-	-	UCTU314C-800	UCTU314CD-800	124	53
	150	55	295	1360	1300	22	900	200	78	33	M18	UCTU314-900	UC314	53	104	68.2	2.96	13.2	-	-	-	-	UCTU314C-900	UCTU314CD-900	124	55
75	155	55	305	980	920	22	500	210	82	32	M18	UCTU315-500	UC315	54	113	77.2	3.24	13.2	-	-	-	-	UCTU315C-500	UCTU315CD-500	134	57
	155	55	305	1080	1020	22	600	210	82	32	M18	UCTU315-600	UC315	57	113	77.2	3.24	13.2	-	-	-	-	UCTU315C-600	UCTU315CD-600	134	60
	155	55	305	1180	1120	22	700	210	82	32	M18	UCTU315-700	UC315	59	113	77.2	3.24	13.2	-	-	-	-	UCTU315C-700	UCTU315CD-700	134	62
	155	55	305	1280	1220	22	800	210	82	32	M18	UCTU315-800	UC315	61	113	77.2	3.24	13.2	-	-	-	-	UCTU315C-800	UCTU315CD-800	134	64
	155	55	305	1380	1320	22	900	210	82	32	M18	UCTU315-900	UC315	64	113	77.2	3.24	13.2	-	-	-	-	UCTU315C-900	UCTU315CD-900	134	67
80	160	55	315	1000	940	22	500	220	86	34	M18	UCTU316-500	UC316	57	123	86.7	3.53	13.3	-	-	-	-	UCTU316C-500	UCTU316CD-500	138	60
	160	55	315	1100	1040	22	600	220	86	34	M18	UCTU316-600	UC316	60	123	86.7	3.53	13.3	-	-	-	-	UCTU316C-600	UCTU316CD-600	138	63
	160	55	315	1200	1140																					

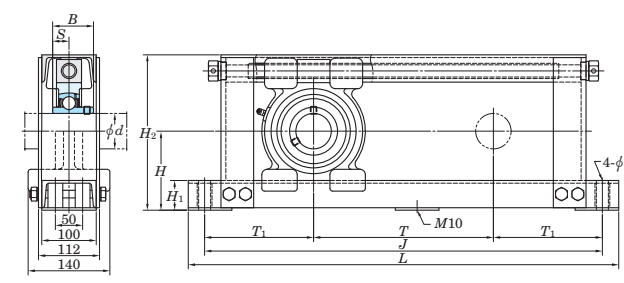
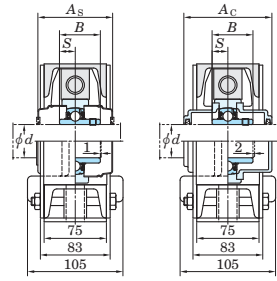
Channel steel frame take-up type

UCTU
Cylindrical bore (with set screws)
 d 85 ~ 90 mm



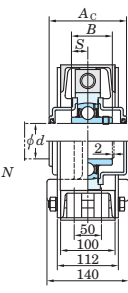
UCTU200

With Pressed Steel Covers With Cast Iron Covers



UCTU300

With Cast Iron Covers



Variations of tolerance of distance from mounting bottom to center of spherical bore (ΔH_s) and variations of tolerance of distance between centers of bolt holes (ΔJ_s)

Nominal unit code	ΔH_s	ΔJ_s
UCTU208-212	±2	±0.8
UCTU313-315		±0.8
UCTU316-318		±1.2

Unit: mm

Shaft Dia. mm d	Dimensions mm											Bolt Size mm	Standard			Basic Load Ratings kN C_r C_{0r}	Fatigue Load Limit kN C_u	Factor f_0	With Pressed Steel Covers				With Cast Iron Covers			
	H	H_1	H_2	L	J	N	T	T_1	B	S	Unit No.		Bearing No.	Mass kg	Unit No.				Dimension mm	Mass kg	Unit No.		Dimension mm	Mass kg		
																			Open Ends Type	Closed End Type	A_s		Open Ends Type	Closed End Type	A_c	
85	165	55	325	1 020	960	22	500	230	96	40	M18	UCTU317-500	UC317	62	133	96.8	3.82	13.3	-	-	-	-	UCTU317C-500	UCTU317CD-500	146	65
	165	55	325	1 120	1 060	22	600	230	96	40	M18	UCTU317-600	UC317	64	133	96.8	3.82	13.3	-	-	-	-	UCTU317C-600	UCTU317CD-600	146	67
	165	55	325	1 220	1 160	22	700	230	96	40	M18	UCTU317-700	UC317	67	133	96.8	3.82	13.3	-	-	-	-	UCTU317C-700	UCTU317CD-700	146	70
	165	55	325	1 320	1 260	22	800	230	96	40	M18	UCTU317-800	UC317	69	133	96.8	3.82	13.3	-	-	-	-	UCTU317C-800	UCTU317CD-800	146	72
	165	55	325	1 420	1 360	22	900	230	96	40	M18	UCTU317-900	UC317	71	133	96.8	3.82	13.3	-	-	-	-	UCTU317C-900	UCTU317CD-900	146	74
90	170	55	335	1 050	990	22	500	245	96	40	M18	UCTU318-500	UC318	65	143	107	4.11	13.3	-	-	-	-	UCTU318C-500	UCTU318CD-500	150	68
	170	55	335	1 150	1 090	22	600	245	96	40	M18	UCTU318-600	UC318	67	143	107	4.11	13.3	-	-	-	-	UCTU318C-600	UCTU318CD-600	150	70
	170	55	335	1 250	1 190	22	700	245	96	40	M18	UCTU318-700	UC318	70	143	107	4.11	13.3	-	-	-	-	UCTU318C-700	UCTU318CD-700	150	73
	170	55	335	1 350	1 290	22	800	245	96	40	M18	UCTU318-800	UC318	72	143	107	4.11	13.3	-	-	-	-	UCTU318C-800	UCTU318CD-800	150	75
	170	55	335	1 450	1 390	22	900	245	96	40	M18	UCTU318-900	UC318	74	143	107	4.11	13.3	-	-	-	-	UCTU318C-900	UCTU318CD-900	150	77

Remarks 1. In Part No. of unit and units with covers, fitting codes follow bore diameter numbers. (See Table 2.5 in P.11.)

2. Part No. of applicable grease nipples are shown below.

C-1/4-28UNF..... 208-210

C-R1/8..... 211, 212, 313-318

3. As for the triple-lip seal type product, supplementary code L3 follows the Part No. of unit or bearing. (Example of Part No. : UCTU208JL3-500, UC208L3)

4. The unit should be mounted so that load is applied to the frame mounting surface vertically and downward.

5. If heavy load ($P_r/C_r > 0.12$), vibration, or impact occurs, contact with JTEKT.

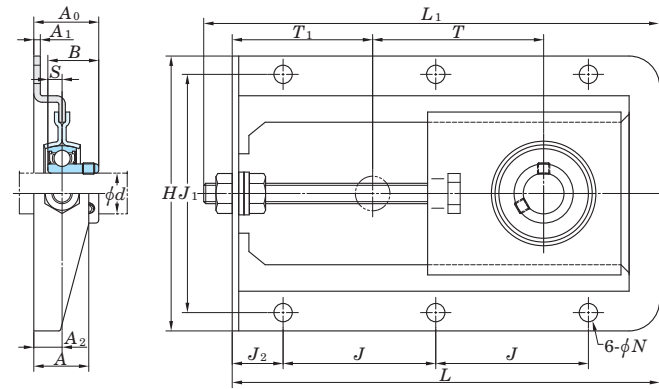
6. Tapered bore (with adapter) type bearing units are also available. (Example of Part No. : UKTU208J-500 + H2308X, UK208 + H2308X)

7. If frame parts need to be corrosion resistant, contact with JTEKT.

8. For the dimensions and forms of applicable bearings, see the dimensional tables of ball bearing for unit.

Pressed steel frame take-up type

SBPTH
Cylindrical bore (with set screws)
 d 12 ~ 25 mm



Variations of tolerance of distance between centers of bolt holes ($\Delta J_s, \Delta J_{1s}$)

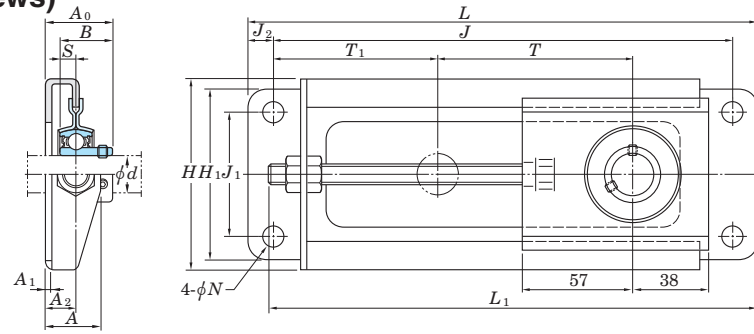
Nominal unit code	ΔJ_s	ΔJ_{1s}
SBPTH201~SBPTH205	± 0.7	± 0.7

Unit: mm

Shaft Dia. mm d	Dimensions																Bolt Size inch mm	Unit No.	Bearing No.	Basic Load Ratings		Fatigue Load Limit	Factor f_0	Mass kg
	H	L	L_1	A	J	J_1	J_2	N	T	T_1	A_1	A_2	A_0	B	S	C_r				C_{0r}	C_u			
12	5 5/16	8 9/32	8 21/32	1 1/16	2 61/64	4 39/64	3 1/32	11/32	3 15/32	2 23/32	1/8	35/64	1 3/16	0.866	0.236	5/16 M8	SBPTH201-90	SB201	9.55	4.80	0.218	13.2	0.91	
	135	210	220	27	75	117	25	9	88	69	3.2	13.9	29.9	22	6									
15	5 5/16	8 9/32	8 21/32	1 1/16	2 61/64	4 39/64	3 1/32	11/32	3 15/32	2 23/32	1/8	35/64	1 3/16	0.866	0.236	5/16 M8	SBPTH202-90	SB202	9.55	4.80	0.218	13.2	0.91	
	135	210	220	27	75	117	25	9	88	69	3.2	13.9	29.9	22	6									
17	5 5/16	8 9/32	8 21/32	1 1/16	2 61/64	4 39/64	3 1/32	11/32	3 15/32	2 23/32	1/8	35/64	1 3/16	0.866	0.236	5/16 M8	SBPTH203-90	SB203	9.55	4.80	0.218	13.2	0.91	
	135	210	220	27	75	117	25	9	88	69	3.2	13.9	29.9	22	6									
20	5 5/16	8 9/32	8 21/32	1 1/16	2 61/64	4 39/64	3 1/32	11/32	3 15/32	2 23/32	1/8	35/64	1 1/4	0.984	0.276	5/16 M8	SBPTH204-90	SB204	12.8	6.65	0.302	13.2	0.91	
	135	210	220	27	75	117	25	9	88	69	3.2	13.9	31.9	25	7									
25	5 5/16	8 9/32	8 21/32	1 1/16	2 61/64	4 39/64	3 1/32	11/32	3 15/32	2 23/32	1/8	35/64	1 5/16	1.063	0.295	5/16 M8	SBPTH205-90	SB205	14.0	7.85	0.357	13.9	0.91	
	135	210	220	27	75	117	25	9	88	69	3.2	13.9	33.4	27	7.5									

Remarks 1. For the dimensions and forms of applicable bearings, see the dimensional tables of ball bearing for unit.
2. If heavy load ($P_r/C_r > 0.12$), vibration, or impact occurs, contact with JTEKT.

SBNPTH
Cylindrical bore (with set screws)
 d 12 ~ 25 mm



Variations of tolerance of distance between centers of bolt holes ($\Delta J_s, \Delta J_{1s}$)

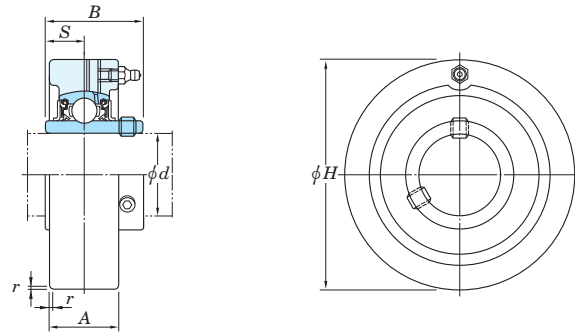
Nominal unit code	ΔJ_s	ΔJ_{1s}
SBNPTH201-SBNPTH205	± 0.7	± 0.7

Unit: mm

Shaft Dia. mm d	Dimensions																Bolt Size	Unit No.	Bearing No.	Basic Load Ratings		Fatigue Load Limit	Factor	Mass
	H	H_1	L	L_1	A	J	J_1	J_2	N	T	T_1	A_1	A_2	A_0	B	S				C_r	C_{0r}			
12	$3 \frac{15}{16}$	$3 \frac{17}{32}$	$10 \frac{1}{4}$	$9 \frac{11}{16}$	$1 \frac{1}{16}$	$9 \frac{1}{4}$	$2 \frac{9}{16}$	$\frac{1}{2}$	$\frac{7}{16}$	$3 \frac{15}{16}$	$3 \frac{9}{32}$	$\frac{1}{8}$	$\frac{19}{32}$	$1 \frac{7}{32}$	0.866	0.236	$\frac{5}{16}$	SBNPTH201-100	SB201	9.55	4.80	0.218	13.2	0.93
	100	90	260	246	27	235	65	12.5	11	100	83.5	3.2	15	31	22	6	M8							
15	$3 \frac{15}{16}$	$3 \frac{17}{32}$	$10 \frac{1}{4}$	$9 \frac{11}{16}$	$1 \frac{1}{16}$	$9 \frac{1}{4}$	$2 \frac{9}{16}$	$\frac{1}{2}$	$\frac{7}{16}$	$3 \frac{15}{16}$	$3 \frac{9}{32}$	$\frac{1}{8}$	$\frac{19}{32}$	$1 \frac{7}{32}$	0.866	0.236	$\frac{5}{16}$	SBNPTH202-100	SB202	9.55	4.80	0.218	13.2	0.93
	100	90	260	246	27	235	65	12.5	11	100	83.5	3.2	15	31	22	6	M8							
17	$3 \frac{15}{16}$	$3 \frac{17}{32}$	$10 \frac{1}{4}$	$9 \frac{11}{16}$	$1 \frac{1}{16}$	$9 \frac{1}{4}$	$2 \frac{9}{16}$	$\frac{1}{2}$	$\frac{7}{16}$	$3 \frac{15}{16}$	$3 \frac{9}{32}$	$\frac{1}{8}$	$\frac{19}{32}$	$1 \frac{7}{32}$	0.866	0.236	$\frac{5}{16}$	SBNPTH203-100	SB203	9.55	4.80	0.218	13.2	0.93
	100	90	260	246	27	235	65	12.5	11	100	83.5	3.2	15	31	22	6	M8							
20	$3 \frac{15}{16}$	$3 \frac{17}{32}$	$10 \frac{1}{4}$	$9 \frac{11}{16}$	$1 \frac{1}{16}$	$9 \frac{1}{4}$	$2 \frac{9}{16}$	$\frac{1}{2}$	$\frac{7}{16}$	$3 \frac{15}{16}$	$3 \frac{9}{32}$	$\frac{1}{8}$	$\frac{19}{32}$	$1 \frac{5}{16}$	0.984	0.276	$\frac{5}{16}$	SBNPTH204-100	SB204	12.8	6.65	0.302	13.2	0.93
	100	90	260	246	27	235	65	12.5	11	100	83.5	3.2	15	33	25	7	M8							
25	$3 \frac{15}{16}$	$3 \frac{17}{32}$	$10 \frac{1}{4}$	$9 \frac{11}{16}$	$1 \frac{1}{16}$	$9 \frac{1}{4}$	$2 \frac{9}{16}$	$\frac{1}{2}$	$\frac{7}{16}$	$3 \frac{15}{16}$	$3 \frac{9}{32}$	$\frac{1}{8}$	$\frac{19}{32}$	$1 \frac{11}{32}$	1.063	0.295	$\frac{5}{16}$	SBNPTH205-100	SB205	14.0	7.85	0.357	13.9	0.93
	100	90	260	246	27	235	65	12.5	11	100	83.5	3.2	15	34.5	27	7.5	M8							

Remarks 1. For the dimensions and forms of applicable bearings, see the dimensional tables of ball bearing for unit.
2. If heavy load ($P_r/C_r > 0.12$), vibration, or impact occurs, contact with JTEKT.

UCC
Cylindrical bore (with set screws)
d 12 ~ (45) mm



d (45) ~ 90 mm

Variations of tolerance of outside diameter (ΔH_s), variations of tolerance of width (ΔA_s), and tolerance of circumferential runout of outside diameter (Y)

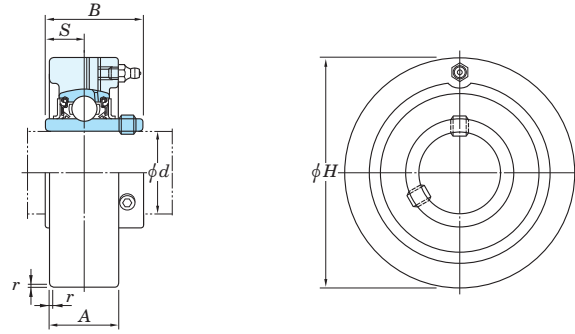
Housing No.		ΔH_s	ΔA_s	Y
C204-C205		0 -0.030	±0.2	0.2
C206-C210	CX05-CX08 C305-C308	0 -0.035		
C211-C213	CX09-CX10 C309-C310	0 -0.040	±0.3	0.3
	CX11-CX12 C311-C314	0 -0.046		
	C315-C318 C319	0 -0.046		
	C320-C322 C324-C328	0 -0.052 0 -0.057		

Shaft Dia. mm inch <i>d</i>	Dimensions inch mm					Unit No.	Housing No.	Bearing No.	Basic Load Ratings kN		Fatigue Load Limit kN <i>C_u</i>	Factor <i>f₀</i>	Mass kg	
	<i>H</i>	<i>A</i>	<i>r</i>	<i>B</i>	<i>S</i>				<i>C_r</i>	<i>C_{0r}</i>				
12 1/2						UCC201 UCC201-8		UC201 UC201-8					0.52	
15 5/8	2.835 72	25/32 20	0.06 1.5	1.220 31	0.500 12.7	UCC202 UCC202-10	C204	UC202 UC202-10	12.8	6.65	0.302	13.2	0.50	
17 3/4						UCC203 UCC204-12		UC203 UC204-12					0.49	
20						UCC204		UC204					0.47	
25	7/8 15/16	3.150 80	55/64 22	0.06 1.5	1.343 34.1	UCC205-14 UCC205-15	C205	UC205-14 UC205-15	14.0	7.85	0.357	13.9	0.64	
	1	3.543 90	1 1/16 27	0.06 1.5	1.500 38.1	UCC205 UCC205-16		UC205 UC205-16						
	1	3.543 90	1 1/32 26	0.08 2	1.496 38	UCCX05 UCCX05-16	CX05	UCX05 UCX05-16	19.5	11.3	0.514	13.9	1.0	
	1	3.543 90	1 1/32 26	0.08 2	1.496 38	UCC305 UCC305-16	C305	UC305 UC305-16	21.2	10.9	0.495	12.6	1.5	
30	1 1/8	3.346 85	1 1/16 27	0.06 1.5	1.500 38.1	UCC206-18 UCC206	C206	UC206-18 UC206	19.5	11.3	0.514	13.9	0.81	
	1 3/16					UCC206-19		UC206-19						
	1 1/4					UCC206-20		UC206-20						
	1 3/16 1 1/4	3.937 100	1 3/16 30	0.08 2	1.689 42.9	0.689 17.5	UCCX06 UCCX06-19	CX06	UCX06 UCX06-19	25.7	15.4	0.700	13.9	1.3
1 1/4	3.937 100	1 7/64 28	0.08 2	1.693 43	0.669 17	UCCX06-20		UCX06-20						
1 1/4	3.937 100	1 7/64 28	0.08 2	1.693 43	0.669 17	UCC306	C306	UC306	26.7	15.0	0.682	13.3	1.7	
35	1 1/4 1 5/16	3.543 90	1 7/64 28	0.08 2	1.689 42.9	0.689 17.5	UCC207-20 UCC207-21	C207	UC207-20 UC207-21	25.7	15.4	0.700	13.9	0.93
	1 3/8						UCC207-22		UC207-22					
	1 7/16						UCC207		UC207					
	1 3/8	4.331 110	1 11/32 34	0.08 2	1.937 49.2	0.748 19	UCCX07-22 UCCX07	CX07	UCX07-22 UCX07	29.1	17.8	0.809	14.0	1.7
1 7/16	4.331 110	1 11/32 34	0.08 2	1.937 49.2	0.748 19	UCCX07-23		UCX07-23						
1 3/8	4.331 110	1 7/64 32	0.12 3	1.890 48	0.748 19	UCC307	C307	UC307	33.4	19.3	0.877	13.2	2.2	
40	1 1/2 1 9/16	3.937 100	1 3/16 30	0.08 2	1.937 49.2	0.748 19	UCC208-24 UCC208-25	C208	UC208-24 UC208-25	29.1	17.8	0.809	14.0	1.2
	1 1/2	4.724 120	1 1/2 38	0.08 2	1.937 49.2	0.748 19	UCCX08-24 UCCX08	CX08	UCX08-24 UCX08	34.1	21.3	0.968	14.0	2.3
	1 1/2	4.724 120	1 11/32 34	0.12 3	2.047 52	0.748 19	UCC308-24 UCC308	C308	UC308-24 UC308	40.7	24.0	1.09	13.2	2.2
45	1 5/8 1 11/16	4.331 110	1 7/32 31	0.08 2	1.937 49.2	0.748 19	UCC209-26 UCC209-27	C209	UC209-26 UC209-27	34.1	21.3	0.968	14.0	1.5
	1 3/4						UCC209-28		UC209-28					
	1 3/4						UCC209		UC209					

Shaft Dia. mm inch <i>d</i>	Dimensions inch mm					Unit No.	Housing No.	Bearing No.	Basic Load Ratings kN		Fatigue Load Limit kN <i>C_u</i>	Factor <i>f₀</i>	Mass kg	
	<i>H</i>	<i>A</i>	<i>r</i>	<i>B</i>	<i>S</i>				<i>C_r</i>	<i>C_{0r}</i>				
45	1 3/4	4.724 120	1 1/2 38	0.08 2	2.031 51.6	0.748 19	UCCX09-28 UCCX09	CX09	UCX09-28 UCX09	35.1	23.3	1.06	14.4	2.3
	1 3/4	5.118 130	1 1/2 38	0.12 3	2.244 57	0.866 22	UCC309-28 UCC309	C309	UC309-28 UC309	48.9	29.5	1.34	13.3	2.8
50	1 7/8 1 15/16	4.724 120	1 19/64 33	0.08 2	2.031 51.6	0.748 19	UCC210-30 UCC210-31	C210	UC210-30 UC210-31	35.1	23.3	1.06	14.4	2.0
	2						UCC210-32		UC210-32					
	1 15/16	5.118 130	1 37/64 40	0.1 2.5	2.189 55.6	0.874 22.2	UCCX10-31 UCCX10	CX10	UCX10-31 UCX10	43.4	29.4	1.34	14.4	2.8
	2	5.512 140	1 37/64 40	0.12 3	2.402 61	0.866 22	UCCX10-32 UCC310	C310	UCX10-32 UC310	62.0	38.3	1.74	13.2	3.2
55	2 2 1/8	4.921 125	1 3/8 35	0.1 2.5	2.189 55.6	0.874 22.2	UCC211-32 UCC211-34	C211	UC211-32 UC211-34	43.4	29.4	1.34	14.4	2.2
	2 3/16						UCC211		UC211					
	2 3/16 2 1/4	5.906 150	1 21/32 42	0.1 2.5	2.563 65.1	1.000 25.4	UCCX11 UCCX11-35	CX11	UCX11 UCX11-35	52.4	36.2	1.65	14.4	4.0
	2	5.906 150	1 47/64 44	0.12 3	2.598 66	0.984 25	UCCX11-36 UCC311	C311	UCX11-36 UC311	71.6	45.0	2.05	13.2	3.9
60	2 1/4 2 3/8	5.118 130	1 1/2 38	0.1 2.5	2.563 65.1	1.000 25.4	UCC212-36 UCC212	C212	UC212-36 UC212	52.4	36.2	1.65	14.4	2.6
	2 7/16						UCC212-38 UCC212-39		UC212-38 UC212-39					
	2 7/16	6.299 160	1 47/64 44	0.1 2.5	2.563 65.1	1.000 25.4	UCCX12 UCCX12-39	CX12	UCX12 UCX12-39	57.2	40.1	1.82	14.4	4.6
	2 7/16	6.299 160	1 13/16 46	0.12 3	2.795 71	1.024 26	UCC312	C312	UC312	81.9	52.2	2.37	13.2	4.8
65	2 1/2 140	5.512 140	1 37/64 40	0.1 2.5	2.563 65.1	1.000 25.4	UCC213-40 UCC213	C213	UC213-40 UC213	57.2	40.1	1.82	14.4	3.0
	2 1/2	6.693 170	1 31/32 50	0.12 3	2.953 75	1.181 30	UCC313-40 UCC313	C313	UC313-40 UC313	92.7	59.9	2.68	13.2	5.7
70	2 3/4	7.087 180	2 3/64 52	0.12 3	3.071 78	1.299 33	UCC314-44 UCC314	C314	UC314-44 UC314	104	68.2	2.96	13.2	6.7
75	2 15/16 3	7.480 190	2 11/64 55	0.16 4	3.228 82	1.260 32	UCC315-47 UCC315	C315	UC315-47 UC315	113	77.2	3.24	13.2	7.8
	3	7.874 200	2 23/64 60	0.16 4	3.386 86	1.339 34	UCC315-48 UCC316	C316	UC315-48 UC316	123	86.7	3.53	13.3	9.2
85	—	8.465 215	2 33/64 64	0.16 4	3.780 96	1.575 40	UCC317	C317	UC317	133	96.8	3.82	13.3	11.7
90	3 1/2	8.858 225	2 19/32 66	0.16 4	3.780 96	1.575 40	UCC318-56 UCC318	C318	UC318-56 UC318	143	107	4.11	13.3	13.1

Remarks 1. In Part No. of unit and units with covers, fitting codes follow bore diameter numbers. (See Table 2.5 in P.11.)
 2. Part No. of applicable grease nipples are shown below.
 A-1/4-28UNF 201-213, X05-X12, 305-308
 A-R1/8 309-328
 3. As for the triple-lip seal type product (from 201 to 205 are the double-lip seal type products), supplementary code L3 (L2) follows the Part No. of unit or bearing. (Example of Part No.: UCC206JL3, UC206L3)
 4. For the dimensions and forms of applicable bearings, see the dimensional tables of ball bearing for unit.

UCC
Cylindrical bore (with set screws)
d 95 ~ 140 mm



Shaft Dia. mm inch	Dimensions inch mm					Unit No.	Housing No.	Bearing No.	Basic Load Ratings kN		Fatigue Load Limit kN	Factor <i>f</i> ₀	Mass kg
	<i>d</i>	<i>H</i>	<i>A</i>	<i>r</i>	<i>B</i>				<i>S</i>	<i>C</i> _r			
95 —	9.449 240	2 53/64 72	0.16 4	4.055 103	1.614 41	UCC319	C319	UC319	153 119	4.45	13.3	15.8	
100 3 15/16 4	10.236 260	2 61/64 75	0.16 4	4.252 108	1.654 42	UCC320 UCC320-63 UCC320-64	C320	UC320 UC320-63 UC320-64	173 141	5.08	13.2	19.6	
105 —	10.236 260	2 61/64 75	0.16 4	4.409 112	1.732 44	UCC321	C321	UC321	184 153	5.41	13.2	27.0	
110 —	11.811 300	3 5/32 80	0.2 5	4.606 117	1.811 46	UCC322	C322	UC322	205 180	6.15	13.2	29.2	
120 —	12.598 320	3 35/64 90	0.2 5	4.961 126	2.008 51	UCC324	C324	UC324	207 185	6.10	13.5	35.9	
130 —	13.386 340	3 15/16 100	0.24 6	5.315 135	2.126 54	UCC326	C326	UC326	229 214	6.79	13.6	43.0	
140 —	14.173 360	3 15/16 100	0.24 6	5.709 145	2.323 59	UCC328	C328	UC328	253 246	7.54	13.6	52.9	

- Remarks 1. In Part No. of unit and units with covers, fitting codes follow bore diameter numbers. (See **Table 2.5** in P.11.)
 2. Part No. of applicable grease nipples are shown below.
 A-1/4-28UNF 201~213, X05~X12, 305~308
 A-R1/8 309~328
 3. As for the triple-lip seal type product (from 201 to 205 are the double-lip seal type products), supplementary code L3 (L2) follows the Part No. of unit or bearing. (Example of Part No. : UCC206JL3, UC206L3)
 4. For the dimensions and forms of applicable bearings, see the dimensional tables of ball bearing for unit.

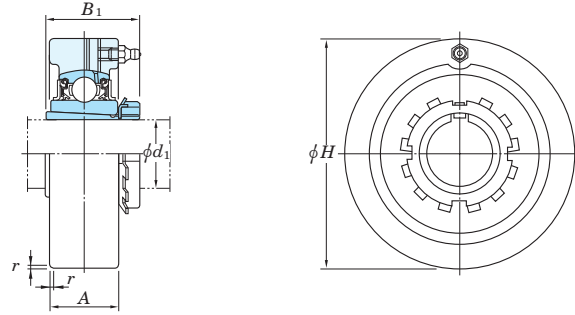
Variations of tolerance of outside diameter (ΔH_s), variations of tolerance of width (ΔA_s), and tolerance of circumferential runout of outside diameter (Y)

Housing No.		ΔH_s	ΔA_s	Y
C204-C205		0 -0.030	±0.2	0.2
C206-C210	CX05-CX08 C305-C308	0 -0.035		
	CX09-CX10 C309-C310	0	±0.3	0.3
C211-C213	CX11-CX12 C311-C314	-0.040		
	C315-C318	0		
	C319	-0.046		
	C320-C322	0 -0.052	±0.4	0.4
	C324-C328	0 -0.057		

Unit: mm

UKC
Tapered bore (with adapter)

d_1 20 ~ (50) mm



d_1 (50) ~ 125 mm

Variations of tolerance of outside diameter (ΔH_s), variations of tolerance of width (ΔA_s), and tolerance of circumferential runout of outside diameter (Y)

Housing No.		ΔH_s	ΔA_s	Y
C205		0 -0.030	±0.2	0.2
C206-C210	CX05-CX08	0 -0.035		
	C305-C308	0	±0.3	0.3
	C309-C310	0		
C211-C213	CX11-CX12	0 -0.040		
	C311-C314	0		
	C315-C318	0 -0.046	±0.3	0.4
	C319	0 -0.052		
	C320-C322	0 -0.052		
	C324-C328	0 -0.057		

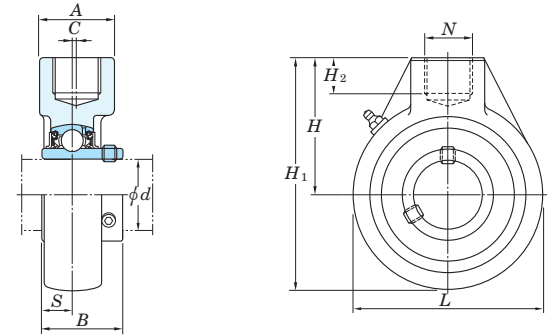
Shaft Dia. mm inch	Dimensions inch mm				Unit No.	Housing No.	Bearing No.	Basic Load Ratings kN		Fatigue Load Limit kN	Factor	Adapter Assembly No.	Mass kg	
	d_1	H	A	r				B_1	C_r					C_{0r}
20	3/4	3.150	55/64	0.06	1 3/8	UKC205	C205	UK205	14.0	7.85	0.357	13.9	HE2305X H2305X	0.7
		80	22	1.5	35									
	3/4	3.543	1 1/16	0.06	1 3/8	UKCX05	CX05	UKX05	19.5	11.3	0.514	13.9	HE2305X H2305X	0.99
25	1	3.543	1 1/16	0.08	1 3/8	UKC305	C305	UK305	21.2	10.9	0.495	12.6	HE2305X H2305X	1.6
		90	27	1.5	35									
	1	3.346	1 1/16	0.06	1 1/2	UKC206	C206	UK206	19.5	11.3	0.514	13.9	H2306X HE2306X	0.89
30	1 1/8	3.937	1 3/16	0.08	1 1/2	UKCX06	CX06	UKX06	25.7	15.4	0.700	13.9	H2306X HE2306X	1.3
		100	30	2	38									
	1 1/8	3.937	1 7/64	0.08	1 1/2	UKC306	C306	UK306	26.7	15.0	0.682	13.3	H2306X HE2306X	1.8
35	1 1/8	4.331	1 1/32	0.08	1 11/16	UKC207	C207	UK207	25.7	15.4	0.700	13.9	HS2307X H2307X	1.0
		90	28	2	43									
	1 1/8	4.331	1 1/32	0.08	1 11/16	UKCX07	CX07	UKX07	29.1	17.8	0.809	14.0	HS2307X H2307X	1.8
40	1 1/4	4.331	1 1/64	0.12	1 11/16	UKC307	C307	UK307	33.4	19.3	0.877	13.2	HS2307X H2307X	2.2
		110	34	2	43									
	1 1/4	3.937	1 3/16	0.08	1 13/16	UKC208	C208	UK208	29.1	17.8	0.809	14.0	HE2308X HS2308X H2308X	1.5
45	1 3/8	4.724	1 1/2	0.08	1 13/16	UKCX08	CX08	UKX08	34.1	21.3	0.968	14.0	HE2308X HS2308X H2308X	2.4
		120	38	2	46									
	1 3/8	4.724	1 11/32	0.12	1 13/16	UKC308	C308	UK308	40.7	24.0	1.09	13.2	HE2308X HS2308X H2308X	2.2
50	1 1/2	4.331	1 7/32	0.08	1 31/32	UKC209	C209	UK209	34.1	21.3	0.968	14.0	HE2309X H2309X	1.8
		110	31	2	50									
	1 1/2	4.724	1 1/2	0.08	1 31/32	UKCX09	CX09	UKX09	35.1	23.3	1.06	14.4	HE2309X H2309X	2.4
55	1 3/4	5.118	1 1/2	0.12	1 31/32	UKC309	C309	UK309	48.9	29.5	1.34	13.3	HE2309X H2309X	2.8
		130	38	3	50									
	1 3/4	4.724	1 19/64	0.08	2 5/32	UKC210	C210	UK210	35.1	23.3	1.06	14.4	HE2310X H2310X	2.2
60	1 3/4	5.118	1 3/64	0.1	2 5/32	UKCX10	CX10	UKX10	43.4	29.4	1.34	14.4	HE2310X H2310X	2.9
		130	40	2.5	55									
	1 3/4	5.512	1 3/64	0.12	2 5/32	UKC310	C310	UK310	62.0	38.3	1.74	13.2	HE2310X H2310X	3.2
65	1 7/8	4.921	1 3/8	0.1	2 5/16	UKC211	C211	UK211	43.4	29.4	1.34	14.4	HS2311X H2311X HE2311X	2.7
		125	35	2.5	59									

Shaft Dia. mm inch	Dimensions inch mm				Unit No.	Housing No.	Bearing No.	Basic Load Ratings kN		Fatigue Load Limit kN	Factor	Adapter Assembly No.	Mass kg	
	d_1	H	A	r				B_1	C_r					C_{0r}
50	1 7/8	5.906	1 21/32	0.1	2 5/16	UKCX11	CX11	UKX11	52.4	36.2	1.65	14.4	HS2311X H2311X HE2311X	4.1
		150	42	2.5	59									
55	1 7/8	5.906	1 47/64	0.12	2 5/16	UKC311	C311	UK311	71.6	45.0	2.05	13.2	HS2311X H2311X HE2311X	4.1
		150	44	3	59									
60	2 1/8	5.118	1 1/2	0.1	2 7/16	UKC212	C212	UK212	52.4	36.2	1.65	14.4	HS2312X H2312X	3.1
		130	38	2.5	62									
	2 1/8	6.299	1 47/64	0.1	2 7/16	UKCX12	CX12	UKX12	57.2	40.1	1.82	14.4	HS2312X H2312X	4.4
65	2 1/8	6.299	1 13/16	0.12	2 7/16	UKC312	C312	UK312	81.9	52.2	2.37	13.2	HS2312X H2312X	4.7
		160	44	2.5	62									
	2 1/8	6.299	1 13/16	0.12	2 7/16	UKC312	C312	UK312	81.9	52.2	2.37	13.2	HS2312X H2312X	4.7
70	2 1/4	5.512	1 37/64	0.1	2 9/16	UKC213	C213	UK213	57.2	40.1	1.82	14.4	HE2313X H2313X HS2313X	3.3
		140	40	2.5	65									
	2 1/4	6.693	1 31/32	0.12	2 9/16	UKC313	C313	UK313	92.7	59.9	2.68	13.2	HE2313X H2313X HS2313X	5.8
75	2 3/8	7.480	2 11/64	0.16	2 7/8	UKC315	C315	UK315	113	77.2	3.24	13.2	HE2315X H2315X	8.0
		190	55	4	73									
	2 3/8	7.874	2 23/64	0.16	3 1/16	UKC316	C316	UK316	123	86.7	3.53	13.3	HE2316X H2316X	9.2
80	3	8.465	2 33/64	0.16	3 7/32	UKC317	C317	UK317	133	96.8	3.82	13.3	H2317X HE2317X	11.6
		215	64	4	82									
	3	8.858	2 19/32	0.16	3 3/8	UKC318	C318	UK318	143	107	4.11	13.3	H2318X	13.1
85	3 1/4	9.449	2 53/64	0.16	3 17/32	UKC319	C319	UK319	153	119	4.45	13.3	HE2319X H2319X	16.1
		240	72	4	90									
	3 1/2	10.236	2 51/64	0.16	3 13/16	UKC320	C320	UK320	173	141	5.08	13.2	HE2320X H2320X	19.2
90	4	11.811	3 5/32	0.2	4 1/8	UKC322	C322	UK322	205	180	6.15	13.2	H2322X HE2322X	29.1
		260	75	4	97									
	4	12.598	3 35/64	0.2	4 13/32	UKC324	C324	UK324	207	185	6.10	13.5	H2324	36.2
100	4 1/2	13.386	3 15/16	0.24	4 3/4	UKC326	C326	UK326	229	214	6.79	13.6	HE2326 H2326	42.8
		340	100	6	121									
	4 1/2	14.173	3 15/16	0.24	5 5/32	UKC328	C328	UK328	253	246	7.54	13.6	H2328	52.9
110	-	12.598	3 35/64	0.2	4 13/32	UKC324	C324	UK324	207	185	6.10	13.5	H2324	36.2
		320	90	5	112									
115	-	13.386	3 15/16	0.24	4 3/4	UKC326	C326	UK326	229	214	6.79	13.6	HE2326 H2326	42.8
		340	100	6	121									
125	-	14.173	3 15/16	0.24	5 5/32	UKC328	C328	UK328	253	246	7.54	13.6	H2328	52.9
		360	100	6	131									

- Remarks 1. In Part No. of unit and units with covers, fitting codes follow bore diameter numbers. (See Table 2.5 in P.11.)
 2. Part No. of applicable grease nipples are shown below.
 A-1/4-28UNF..... 205-213, X05-X12, 305-308
 A-R1/8..... 309-328
 3. In Part No. of unit with adapters and bearing with adapters, Part No. of applicable adapter follow the Part No. shown in the dimensional tables. (Example of Part No. : UKC206J + H2306X, UK206 + H2306X)
 4. As for the triple-lip seal type product (205 is the double-lip seal type product), supplementary code L3 (or L2) follows the Part No. of unit or bearing.
 (Example of Part No. : UKC206JL3 + H2306X, UK206L3 + H2306X)
 5. As for the dimensions and forms of applicable bearings and adapters, see the dimensional tables of ball bearing for unit and adapter assemblies.

Hanger type

UCHA
Cylindrical bore (with set screws)
d 12 ~ 75 mm



Note 1) Dimensions N screw hole is apply JIS B0203 (Taper Pipe Threads) standards.
It can not apply to the Parallel Pipe External Thread.
Also, below shown the dimensions of Taper Pipe Internal Thread.

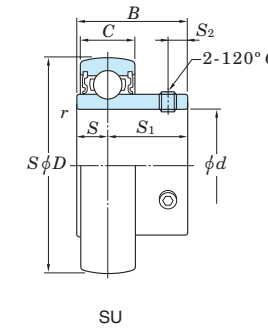
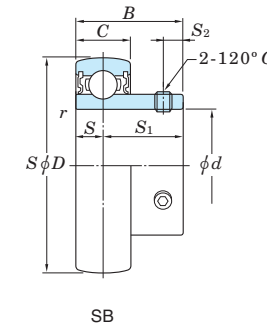
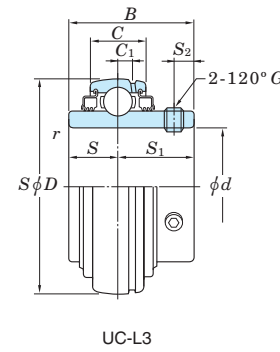
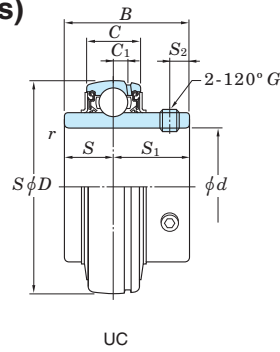
Nominal of Thread	Female Thread			Thread	Apply Male Thread
	Major Diameter	Pitch Diameter	Minor Diameter	Number of Threads (in 25.4 mm)	
	D	D ₂	D ₁	n	
Rp 3/4	26.441	25.279	24.117	14	R 3/4
Rp 1	33.249	31.770	30.291	11	R 1
Rp 1 1/2	41.910	40.431	38.952	11	R 1 1/2
Rp 1 1/4	47.803	46.324	44.845	11	R 1 1/4

Shaft Dia. mm inch d	Dimensions inch mm										Unit No.	Housing No.	Bearing No.	Basic Load Ratings kN		Fatigue Load Limit kN C _u	Factor f ₀	Mass kg
	H	A	L	H ₁	H ₂	N ¹⁾	C	B	S	C _r				C _{0r}				
12 1/2											UCHA201 UCHA201-8 UCHA202 UCHA202-10 UCHA203 UCHA204-12 UCHA204	HA204	UC201 UC201-8 UC202 UC202-10 UC203 UC204-12 UC204	12.8	6.65	0.302	13.2	0.77 0.75 0.74 0.72
15 5/8	2 17/32	1 9/16	2 17/32	3 25/32	3/4	Rp 3/4	-	1.220	0.500		UCHA205-14 UCHA205-15 UCHA205 UCHA205-16	HA205	UC205-14 UC205-15 UC205 UC205-16	14.0	7.85	0.357	13.9	0.87
17 3/4	64	40	64	96	19	Rp 3/4	-	31	12.7		UCHA206-18 UCHA206 UCHA206-19 UCHA206-20	HA206	UC206-18 UC206 UC206-19 UC206-20	19.5	11.3	0.514	13.9	0.83
20											UCHA207-20 UCHA207-21 UCHA207-22 UCHA207 UCHA207-23	HA207	UC207-20 UC207-21 UC207-22 UC207 UC207-23	25.7	15.4	0.700	13.9	1.2
25 7/8 15/16	2 17/32	1 9/16	3 1/16	4 1/16	3/4	Rp 3/4	-	1.343	0.563		UCHA208-24 UCHA208-25 UCHA208	HA208	UC208-24 UC208-25 UC208	29.1	17.8	0.809	14.0	1.3
30 1 1/8	2 17/32	1 9/16	3 1/16	4 1/16	3/4	Rp 3/4	-	1.500	0.626		UCHA209-26 UCHA209-27 UCHA209-28 UCHA209	HA209	UC209-26 UC209-27 UC209-28 UC209	34.1	21.3	0.968	14.0	1.7
35 1 1/4 1 5/16 1 3/8	2 3/4	1 9/16	3 5/8	4 9/16	3/4	Rp 3/4	-	1.689	0.689		UCHA210-30 UCHA210-31 UCHA210 UCHA210-32	HA210	UC210-30 UC210-31 UC210 UC210-32	35.1	23.3	1.06	14.4	2.1
40 1 1/2 1 9/16	2 7/8	1 9/16	3 25/32	4 3/4	3/4	Rp 3/4	2	1.937	0.748		UCHA211-32 UCHA211-34 UCHA211 UCHA211-35	HA211	UC211-32 UC211-34 UC211 UC211-35	43.4	29.4	1.34	14.4	2.8
45 1 5/8 1 11/16 1 3/4	3 7/32	1 7/8	4 1/4	5 11/32	13/16	Rp 1	5	1.937	0.748		UCHA212-36 UCHA212 UCHA212-38 UCHA212-39	HA212	UC212-36 UC212 UC212-38 UC212-39	52.4	36.2	1.65	14.4	3.9
50 1 7/8 1 15/16	3 9/32	1 7/8	4 21/32	5 19/32	13/16	Rp 1	5	2.031	0.748		UCHA213-40 UCHA213	HA213	UC213-40 UC213	57.2	40.1	1.82	14.4	5.8
55 2 2 1/8	3 7/16	2 3/8	4 31/32	5 29/32	31/32	Rp 1 1/4	7	2.189	0.874		UCHA214-44 UCHA214	HA214	UC214-44 UC214	62.2	44.1	2.01	14.5	5.9
60 2 3/16 2 1/4	4 1/32	2 3/8	5 19/32	6 13/16	1 3/32	Rp 1 1/4	9	2.563	1.000		UCHA215-47 UCHA215 UCHA215-48	HA215	UC215-47 UC215 UC215-48	67.4	48.3	2.17	14.5	5.6
65 2 3/8	4 19/32	2 3/4	6 17/32	7 7/8	1 1/4	Rp 1 1/2	9.5	2.563	1.000									
70 2 7/16	4 19/32	2 3/4	6 17/32	7 7/8	1 1/4	Rp 1 1/2	9.5	2.937	1.189									
75 2 15/16 3	4 19/32	2 3/4	6 17/32	7 7/8	1 1/4	Rp 1 1/2	9.5	3.063	1.311									

Remarks 1. In Part No. of unit and units with covers, fitting codes follow bore diameter numbers. (See Table 2.5 in P.11.)
2. Part No. of applicable grease nipples are shown below.
A-1/4-28UNF..... 201~210
A-R1/8..... 211~215

3. As for the triple-lip seal type product (from 201 to 205 are the double-lip seal type products), supplementary code L3 (or L2) follows the Part No. of unit or bearing. (Example of Part No.: UCHA206JL3, UC206L3)
4. For the dimensions and forms of applicable bearings and adapters, see the dimensional tables of ball bearing for unit and adapter assemblies.
5. Tapered bore (with adapter) type products are also available. (Example of Part No.: UKHA205J + H2305X, UK205 + H2305X)

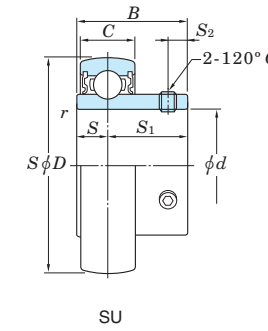
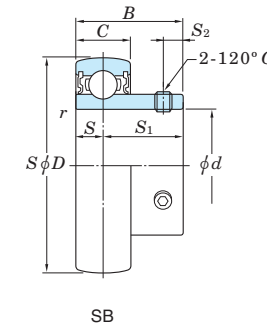
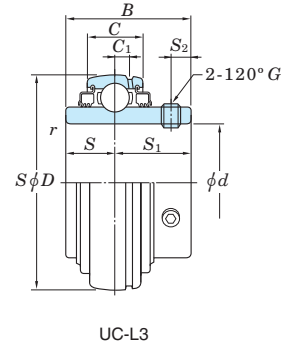
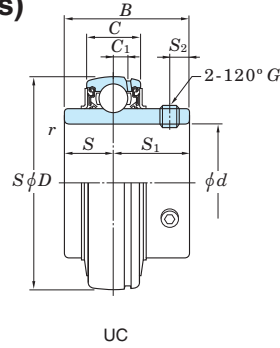
UC, SB, SU
Cylindrical bore (with set screws)
 d 8 ~ (30) mm



Shaft Dia. mm inch d	Dimensions								Basic Load Ratings kN		Fatigue Load Limit kN	Factor	Bearing No.	Dimensions						Set Screw Brg. Bore G		Mass kg
	D mm inch	B mm inch	C mm inch	r (min.) mm inch	C_r	C_{0r}	C_u	f_0	Standard	L3 Type	C_1 mm inch	S mm inch		S_1 mm inch	S_2 mm inch	mm inch	mm inch					
8	22 0.866	12 0.472	7 0.276	0.3 0.012	3.27	1.37	0.062	12.4	SU08	-	-	3.5 0.138	8.5 0.335	2.8 0.110	M3x0.35	-	0.012					
10	26 1.024	15 0.591	8 0.315	0.3 0.012	4.55	1.95	0.089	12.3	SU000	-	-	5 0.197	10 0.394	3 0.118	M3x0.35	-	0.024					
12	28 1.102	15 0.591	8 0.315	0.3 0.012	5.10	2.40	0.109	13.2	SU001	-	-	5 0.197	10 0.394	3 0.118	M3x0.35	-	0.026					
	40 1.575	22 0.866	12 0.472	0.6 0.024	9.55	4.80	0.218	13.2	SB201	-	-	6 0.236	16 0.630	4 0.157	M5x0.5	-	0.10					
-	47 1.850	31 1.220	16 0.630	0.6 0.024	12.8	6.65	0.302	13.2	UC201	UC201L2	4 0.157	12.7 0.500	18.3 0.720	5 0.197	M6x0.75	-	0.21					
	40 1.575	22 0.866	12 0.472	0.6 0.024	9.55	4.80	0.218	13.2	SB201-8	-	-	6 0.236	16 0.630	4 0.157	-	No.10-32UNF	0.10					
-	47 1.850	31 1.220	16 0.630	0.6 0.024	12.8	6.65	0.302	13.2	UC201-8	UC201-8L2	4 0.157	12.7 0.500	18.3 0.720	5 0.197	-	1/4-28UNF	0.21					
	32 1.260	16.5 0.650	9 0.354	0.3 0.012	5.60	2.85	0.130	13.9	SU002	-	-	5.5 0.217	11 0.433	3.3 0.130	M4x0.5	-	0.038					
15	40 1.575	22 0.866	12 0.472	0.6 0.024	9.55	4.80	0.218	13.2	SB202	-	-	6 0.236	16 0.630	4 0.157	M5x0.5	-	0.10					
	47 1.850	31 1.220	16 0.630	0.6 0.024	12.8	6.65	0.302	13.2	UC202	UC202L2	4 0.157	12.7 0.500	18.3 0.720	5 0.197	M6x0.75	-	0.19					
-	40 1.575	22 0.866	12 0.472	0.6 0.024	9.55	4.80	0.218	13.2	SB202-10	-	-	6 0.236	16 0.630	4 0.157	-	No.10-32UNF	0.10					
	47 1.850	31 1.220	16 0.630	0.6 0.024	12.8	6.65	0.302	13.2	UC202-10	UC202-10L2	4 0.157	12.7 0.500	18.3 0.720	5 0.197	-	1/4-28UNF	0.19					
17	35 1.378	17.5 0.689	10 0.394	0.3 0.012	6.00	3.25	0.148	14.4	SU003	-	-	6 0.236	11.5 0.453	3.3 0.130	M4x0.5	-	0.050					
	40 1.575	22 0.866	12 0.472	0.6 0.024	9.55	4.80	0.218	13.2	SB203	-	-	6 0.236	16 0.630	4 0.157	M5x0.5	-	0.10					
-	47 1.850	31 1.220	16 0.630	0.6 0.024	12.8	6.65	0.302	13.2	UC203	UC203L2	4 0.157	12.7 0.500	18.3 0.720	5 0.197	M6x0.75	-	0.18					
	47 1.850	25 0.984	14 0.551	1 0.039	12.8	6.65	0.302	13.2	SB204-12	-	-	7 0.276	18 0.709	5 0.197	-	1/4-28UNF	0.15					
-	47 1.850	31 1.220	16 0.630	1 0.039	12.8	6.65	0.302	13.2	UC204-12	UC204-12L2	4 0.157	12.7 0.500	18.3 0.720	5 0.197	-	1/4-28UNF	0.16					
	42 1.654	21 0.827	12 0.472	0.6 0.024	9.40	5.05	0.230	13.9	SU004	-	-	7 0.276	14 0.551	4 0.157	M5x0.5	-	0.080					
20	47 1.850	25 0.984	14 0.551	1 0.039	12.8	6.65	0.302	13.2	SB204	-	-	7 0.276	18 0.709	5 0.197	M6x0.75	-	0.15					
	47 1.850	31 1.220	16 0.630	1 0.039	12.8	6.65	0.302	13.2	UC204	UC204L2	4 0.157	12.7 0.500	18.3 0.720	5 0.197	M6x0.75	-	0.16					
-	52 2.047	27 1.063	15 0.591	1 0.039	14.0	7.85	0.357	13.9	SB205-14	-	-	7.5 0.295	19.5 0.768	5.5 0.217	-	1/4-28UNF	0.18					
	52 2.047	34.1 1.343	17 0.669	1 0.039	14.0	7.85	0.357	13.9	UC205-14	UC205-14L2	5 0.197	14.3 0.563	19.8 0.780	5.5 0.217	-	1/4-28UNF	0.23					
-	52 2.047	27 1.063	15 0.591	1 0.039	14.0	7.85	0.357	13.9	SB205-15	-	-	7.5 0.295	19.5 0.768	5.5 0.217	-	1/4-28UNF	0.18					
	52 2.047	34.1 1.343	17 0.669	1 0.039	14.0	7.85	0.357	13.9	UC205-15	UC205-15L2	5 0.197	14.3 0.563	19.8 0.780	5.5 0.217	-	1/4-28UNF	0.21					
25	47 1.850	22 0.866	12 0.472	0.6 0.024	10.1	5.85	0.266	14.5	SU005	-	-	7 0.276	15 0.591	4.5 0.177	M5x0.5	-	0.10					
	52 2.047	27 1.063	15 0.591	1 0.039	14.0	7.85	0.357	13.9	SB205	-	-	7.5 0.295	19.5 0.768	5.5 0.217	M6x0.75	-	0.18					
-	52 2.047	34.1 1.343	17 0.669	1 0.039	14.0	7.85	0.357	13.9	UC205	UC205L2	5 0.197	14.3 0.563	19.8 0.780	5.5 0.217	M6x0.75	-	0.20					
	62 2.441	38 1.496	22 0.866	1.1 0.043	21.2	10.9	0.495	12.6	UC305	-	6 0.236	15 0.591	23 0.906	6 0.236	M6x0.75	-	0.45					
-	62 2.441	38.1 1.500	19 0.748	1 0.039	19.5	11.3	0.514	13.9	UCX05	UCX05L3	5 0.197	15.9 0.626	22.2 0.874	6 0.236	M6x0.75	-	0.39					
	52 2.047	27 1.063	15 0.591	1 0.039	14.0	7.85	0.357	13.9	SB205-16	-	-	7.5 0.295	19.5 0.768	5.5 0.217	-	1/4-28UNF	0.18					
-	52 2.047	34.1 1.343	17 0.669	1 0.039	14.0	7.85	0.357	13.9	UC205-16	UC205-16L2	5 0.197	14.3 0.563	19.8 0.780	5.5 0.217	-	1/4-28UNF	0.20					
	62 2.441	38 1.496	22 0.866	1.1 0.043	21.2	10.9	0.495	12.6	UC305-16	-	6 0.236	15 0.591	23 0.906	6 0.236	M6x0.75	-	0.44					
-	62 2.441	38.1 1.500	19 0.748	1 0.039	19.5	11.3	0.514	13.9	UCX05-16	UCX05-16L3	5 0.197	15.9 0.626	22.2 0.874	6 0.236	-	1/4-28UNF	0.38					
	62 2.441	30 1.181	16 0.630	1 0.039	19.5	11.3	0.514	13.9	SB206-18	-	-	8 0.315	22 0.866	6 0.236	-	1/4-28UNF	0.27					
-	62 2.441	38.1 1.500	19 0.748	1 0.039	19.5	11.3	0.514	13.9	UC206-18	UC206-18L2	5 0.197	15.9 0.626	22.2 0.874	6 0.236	-	1/4-28UNF	0.34					
	55 2.165	24.5 0.965	13 0.512	1 0.039	13.2	8.25	0.375	14.7	SU006	-	-	7.5 0.295	17 0.669	5.5 0.217	M5x0.5	-	0.15					
30	62 2.441	30 1.181	16 0.630	1 0.039	19.5	11.3	0.514	13.9	SB206	-	-	8 0.315	22 0.866	6 0.236	M6x0.75	-	0.27					
	62 2.441	38.1 1.500	19 0.748	1 0.039	19.5	11.3	0.514	13.9	UC206	UC206L3	5 0.197	15.9 0.626	22.2 0.874	6 0.236	M6x0.75	-	0.32					
-	72 2.835	42.9 1.689	20 0.787	1 0.039	25.7	15.4	0.700	13.9	UCX06	UCX06L3	5.5 0.217	17.5 0.689	25.4 1.000	6.5 0.256	M8x1	-	0.58					
	72 2.835	43 1.693	24 0.945	1.1 0.043	26.7	15.0	0.682	13.3	UC306	-	6.5 0.256	17 0.669	26 1.024	6 0.236	M6x0.75	-	0.56					
-	62 2.441	30 1.181	16 0.630	1 0.039	19.5	11.3	0.514	13.9	SB206-19	-	-	8 0.315	22 0.866	6 0.236	-	1/4-28UNF	0.27					
	62 2.441	38.1 1.500	19 0.748	1 0.039	19.5	11.3	0.514	13.9	UC206-19	UC206-19L2	5 0.197	15.9 0.626	22.2 0.874	6 0.236	-	1/4-28UNF	0.32					
-	72 2.835	42.9 1.689	20 0.787	1 0.039	25.7	15.4	0.700	13.9	UCX06-19	UCX06-19L3	5.5 0.217	17.5 0.689	25.4 1.000	6.5 0.256	-	5/16-24UNF	0.58					
	62 2.441	30 1.181	16 0.630	1 0.039	19.5	11.3	0.514	13.9	SB206-20	-	-	8 0.315	22 0.866	6 0.236	-	1/4-28UNF	0.27					
-	62 2.441	38.1 1.500	19 0.748	1 0.039	19.5	11.3	0.514	13.9	UC206-20	UC206-20L2	5 0.197	15.9 0.626	22.2 0.874	6 0.236	-	1/4-28UNF	0.30					
	72 2.835	42.9 1.689	20 0.787	1 0.039	25.7	15.4	0.700	13.9	UCX06-20	UCX06-20L3	5.5 0.217	17.5 0.689	25.4 1.000	6.5 0.256	-	5/16-24UNF	0.55					
-	72 2.835	32 1.260	17 0.669	1.1 0.043	25.7	15.4	0.700	13.9	SB207-20	-	-	8.5 0.335	23.5 0.925	6 0.236	-	1/4-28UNF	0.42					
	72 2.835	42.9 1.689	20 0.787	1.1 0.043	25.7	15.4	0.700	13.9	UC207-20	UC207-20L3	5.5 0.217	17.5 0.689	25.4 1.000	6.5 0.256	-	5/16-24UNF	0.54					
-	1 5/16	72 2.835	42.9 1.689	20 0.787	25.7	15.4	0.700	13.9	UC207-21	UC207-21L3	5.5 0.217	17.5 0.689	25.4 1.000	6.5 0.256	-	5/16-24UNF	0.51					

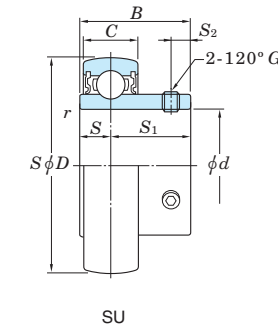
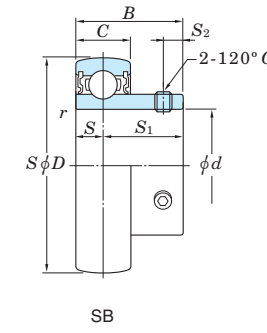
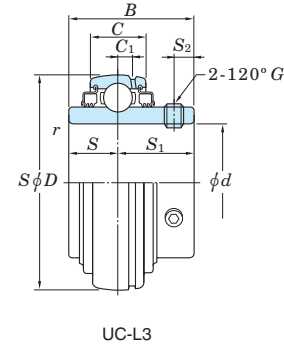
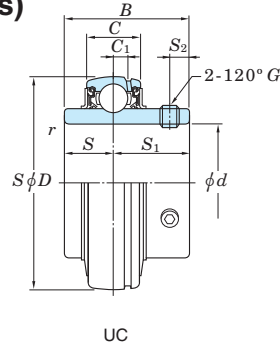
Remarks 1. SU type product is the "compact" series ball bearing for unit.
2. From UC201 to 205 are the double-lip seal type products (L2).

UC, SB, SU
Cylindrical bore (with set screws)
d (30) ~ (60) mm



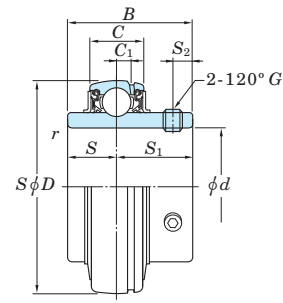
Shaft Dia. mm inch <i>d</i>	Dimensions								Basic Load Ratings kN		Fatigue Load Limit kN	Factor	Bearing No.	Dimensions								Set Screw Brg. Bore <i>G</i>		Mass kg				
	<i>D</i>	<i>B</i>	<i>C</i>		<i>r</i> (min.)		<i>C_r</i>	<i>C_{0r}</i>	<i>C_u</i>	<i>f₀</i>	Standard	L3 Type		<i>C₁</i>	<i>S</i>	<i>S₁</i>		<i>S₂</i>		mm	inch							
	mm	inch	mm	inch	mm	inch	mm	inch	mm	inch	mm	inch	mm	inch	mm	inch	mm	inch	mm	inch	mm	inch						
-	1 3/8	72	2.835	32	1.260	17	0.669	1.1	0.043	25.7	15.4	0.700	13.9	SB207-22	-	-	-	-	8.5	0.335	23.5	0.925	6	0.236	-	-	1/4-28UNF	0.42
		72	2.835	42.9	1.689	20	0.787	1.1	0.043	25.7	15.4	0.700	13.9	UC207-22	UC207-22L3	5.5	0.217	17.5	0.689	25.4	1.000	6.5	0.256	-	-	5/16-24UNF	0.48	
		80	3.150	49.2	1.937	21	0.827	1.1	0.043	29.1	17.8	0.809	14.0	UCX07-22	UCX07-22L3	6	0.236	19	0.748	30.2	1.189	8	0.315	-	-	5/16-24UNF	0.75	
35	-	72	2.835	32	1.260	17	0.669	1.1	0.043	25.7	15.4	0.700	13.9	SB207	-	-	-	8.5	0.335	23.5	0.925	6	0.236	M6x0.75	-	0.42		
		72	2.835	42.9	1.689	20	0.787	1.1	0.043	25.7	15.4	0.700	13.9	UC207	UC207L3	5.5	0.217	17.5	0.689	25.4	1.000	6.5	0.256	M8x1	-	0.48		
		80	3.150	49.2	1.937	21	0.827	1.1	0.043	29.1	17.8	0.809	14.0	UCX07	UCX07L3	6	0.236	19	0.748	30.2	1.189	8	0.315	M8x1	-	0.75		
		80	3.150	48	1.890	26	1.024	1.5	0.059	33.4	19.3	0.877	13.2	UC307	UC307L3	7.5	0.295	19	0.748	29	1.142	8	0.315	M8x1	-	0.71		
-	1 7/16	72	2.835	32	1.260	17	0.669	1.1	0.043	25.7	15.4	0.700	13.9	SB207-23	-	-	-	8.5	0.335	23.5	0.925	6	0.236	-	-	1/4-28UNF	0.42	
		72	2.835	42.9	1.689	20	0.787	1.1	0.043	25.7	15.4	0.700	13.9	UC207-23	UC207-23L3	5.5	0.217	17.5	0.689	25.4	1.000	6.5	0.256	-	-	5/16-24UNF	0.45	
		80	3.150	49.2	1.937	21	0.827	1.1	0.043	29.1	17.8	0.809	14.0	UCX07-23	UCX07-23L3	6	0.236	19	0.748	30.2	1.189	8	0.315	-	-	5/16-24UNF	0.72	
-	1 1/2	80	3.150	34	1.339	18	0.709	1.1	0.043	29.1	17.8	0.809	14.0	SB208-24	-	-	-	9	0.354	25	0.984	8	0.315	M8x1	-	0.60		
		80	3.150	49.2	1.937	21	0.827	1.1	0.043	29.1	17.8	0.809	14.0	UC208-24	UC208-24L3	6	0.236	19	0.748	30.2	1.189	8	0.315	-	-	5/16-24UNF	0.68	
		85	3.346	49.2	1.937	22	0.866	1.1	0.043	34.1	21.3	0.968	14.0	UCX08-24	UCX08-24L3	6	0.236	19	0.748	30.2	1.189	8	0.315	-	-	5/16-24UNF	0.87	
		90	3.543	52	2.047	28	1.102	1.5	0.059	40.7	24.0	1.09	13.2	UC308-24	UC308-24L3	8	0.315	19	0.748	33	1.299	10	0.394	M10x1.25	-	1.05		
-	1 9/16	80	3.150	49.2	1.937	21	0.827	1.1	0.043	29.1	17.8	0.809	14.0	UC208-25	UC208-25L3	6	0.236	19	0.748	30.2	1.189	8	0.315	-	-	5/16-24UNF	0.60	
		80	3.150	34	1.339	18	0.709	1.1	0.043	29.1	17.8	0.809	14.0	SB208	-	-	-	9	0.354	25	0.984	8	0.315	M8x1	-	0.60		
		80	3.150	49.2	1.937	21	0.827	1.1	0.043	29.1	17.8	0.809	14.0	UC208	UC208L3	6	0.236	19	0.748	30.2	1.189	8	0.315	M8x1	-	0.64		
		85	3.346	49.2	1.937	22	0.866	1.1	0.043	34.1	21.3	0.968	14.0	UCX08	UCX08L3	6	0.236	19	0.748	30.2	1.189	8	0.315	M8x1	-	0.83		
		90	3.543	52	2.047	28	1.102	1.5	0.059	40.7	24.0	1.09	13.2	UC308	UC308L3	8	0.315	19	0.748	33	1.299	10	0.394	M10x1.25	-	1.00		
-	1 5/8	85	3.346	49.2	1.937	22	0.866	1.1	0.043	34.1	21.3	0.968	14.0	UC209-26	UC209-26L3	6	0.236	19	0.748	30.2	1.189	8	0.315	-	-	5/16-24UNF	0.78	
-	1 11/16	85	3.346	49.2	1.937	22	0.866	1.1	0.043	34.1	21.3	0.968	14.0	UC209-27	UC209-27L3	6	0.236	19	0.748	30.2	1.189	8	0.315	-	-	5/16-24UNF	0.74	
-	1 3/4	85	3.346	49.2	1.937	22	0.866	1.1	0.043	34.1	21.3	0.968	14.0	UC209-28	UC209-28L3	6	0.236	19	0.748	30.2	1.189	8	0.315	-	-	5/16-24UNF	0.70	
		90	3.543	51.6	2.031	24	0.945	1.1	0.043	35.1	23.3	1.06	14.4	UCX09-28	UCX09-28L3	6	0.236	19	0.748	32.6	1.283	9	0.354	-	-	3/8-24UNF	0.97	
		100	3.937	57	2.244	30	1.181	1.5	0.059	48.9	29.5	1.34	13.3	UC309-28	UC309-28L3	8.5	0.335	22	0.866	35	1.378	10	0.394	M10x1.25	-	1.35		
45	-	85	3.346	49.2	1.937	22	0.866	1.1	0.043	34.1	21.3	0.968	14.0	UC209	UC209L3	6	0.236	19	0.748	30.2	1.189	8	0.315	M8x1	-	0.68		
		90	3.543	51.6	2.031	24	0.945	1.1	0.043	35.1	23.3	1.06	14.4	UCX09	UCX09L3	6	0.236	19	0.748	32.6	1.283	9	0.354	M10x1.25	-	0.95		
		100	3.937	57	2.244	30	1.181	1.5	0.059	48.9	29.5	1.34	13.3	UC309	UC309L3	8.5	0.335	22	0.866	35	1.378	10	0.394	M10x1.25	-	1.33		
-	1 7/8	90	3.543	51.6	2.031	24	0.945	1.1	0.043	35.1	23.3	1.06	14.4	UC210-30	UC210-30L3	6	0.236	19	0.748	32.6	1.283	9	0.354	-	-	3/8-24UNF	0.87	
		90	3.543	51.6	2.031	24	0.945	1.1	0.043	35.1	23.3	1.06	14.4	UC210-31	UC210-31L3	6	0.236	19	0.748	32.6	1.283	9	0.354	-	-	3/8-24UNF	0.82	
		100	3.937	55.6	2.189	25	0.984	1.1	0.043	43.4	29.4	1.34	14.4	UCX10-31	UCX10-31L3	7	0.276	22.2	0.874	33.4	1.315	9	0.354	-	-	3/8-24UNF	1.32	
50	-	90	3.543	51.6	2.031	24	0.945	1.1	0.043	35.1	23.3	1.06	14.4	UC210	UC210L3	6	0.236	19	0.748	32.6	1.283	9	0.354	M10x1.25	-	0.80		
		100	3.937	55.6	2.189	25	0.984	1.1	0.043	43.4	29.4	1.34	14.4	UCX10	UCX10L3	7	0.276	22.2	0.874	33.4	1.315	9	0.354	M10x1.25	-	1.29		
		110	4.331	61	2.402	32	1.260	2	0.079	62.0	38.3	1.74	13.2	UC310	UC310L3	9	0.354	22	0.866	39	1.535	12	0.472	M12x1.5	-	1.69		
		90	3.543	51.6	2.031	24	0.945	1.1	0.043	35.1	23.3	1.06	14.4	UC210-32	UC210-32L3	6	0.236	19	0.748	32.6	1.283	9	0.354	-	-	3/8-24UNF	0.78	
-	2	100	3.937	55.6	2.189	25	0.984	1.1	0.043	43.4	29.4	1.34	14.4	UCX10-32	UCX10-32L3	7	0.276	22.2	0.874	33.4	1.315	9	0.354	-	-	3/8-24UNF	1.26	
		100	3.937	55.6	2.189	25	0.984	1.5	0.059	43.4	29.4	1.34	14.4	UC211-32	UC211-32L3	7	0.276	22.2	0.874	33.4	1.315	9	0.354	-	-	3/8-24UNF	1.26	
		120	4.724	66	2.598	34	1.339	2	0.079	71.6	45.0	2.05	13.2	UC311-32	UC311-32L3	10	0.394	25	0.984	41	1.614	12	0.472	M12x1.5	-	2.08		
-	2 1/8	100	3.937	55.6	2.189	25	0.984	1.5	0.059	43.4	29.4	1.34	14.4	UC211-34	UC211-34L3	7	0.276	22.2	0.874	33.4	1.315	9	0.354	-	-	3/8-24UNF	1.15	
		100	3.937	55.6	2.189	25	0.984	1.5	0.059	43.4	29.4	1.34	14.4	UC211	UC211L3	7	0.276	22.2	0.874	33.4	1.315	9	0.354	M10x1.25	-	1.11		
		110	4.331	65.1	2.563	27	1.063	1.5	0.059	52.4	36.2	1.65	14.4	UCX11	UCX11L3	7.5	0.295	25.4	1.000	39.7	1.563	10.5	0.413	M10x1.25	-	1.80		
		120	4.724	66	2.598	34	1.339	2	0.079	71.6	45.0	2.05	13.2	UC311	UC311L3	10	0.394	25	0.984	41	1.614	12	0.472	M12x1.5	-	1.90		
-	2 3/16	100	3.937	55.6	2.189	25	0.984	1.5	0.059	43.4	29.4	1.34	14.4	UC211-35	UC211-35L3	7	0.276	22.2	0.874	33.4	1.315	9	0.354	-	-	3/8-24UNF	1.09	
		110	4.331	65.1	2.563	27	1.063	1.5	0.059	52.4	36.2	1.65	14.4	UCX11-35	UCX11-35L3	7.5	0.295	25.4	1.00									

UC, SB, SU
Cylindrical bore (with set screws)
d (60) ~ 140 mm

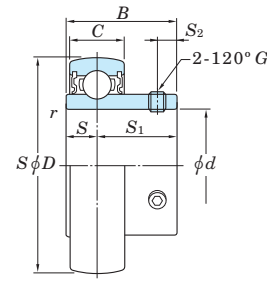


Shaft Dia. mm inch d	Dimensions								Basic Load Ratings kN		Fatigue Load Limit kN	Factor	Bearing No.	Dimensions								Set Screw Brg. Bore G		Mass kg		
	D		B		C		r (min.)		Cr	Cor	Cu	f0		Standard	L3 Type	C1		S		S1		S2			mm	inch
	mm	inch	mm	inch	mm	inch	mm	inch								mm	inch	mm	inch	mm	inch	mm	inch			
-	2 7/16	110	4.331	65.1	2.563	27	1.063	1.5	0.059	52.4	36.2	1.65	14.4	UC212-39 UC212-39L3	7.5	0.295	25.4	1.000	39.7	1.563	10.5	0.413	-	3/8-24UNF	1.45	
		120	4.724	65.1	2.563	28	1.102	1.5	0.059	57.2	40.1	1.82	14.4		UCX12-39 UCX12-39L3	7.5	0.295	25.4	1.000	39.7	1.563	12	0.472	-	1/2-20UNF	1.95
-	2 1/2	120	4.724	65.1	2.563	28	1.102	1.5	0.059	57.2	40.1	1.82	14.4	UC213-40 UC213-40L3	7.5	0.295	25.4	1.000	39.7	1.563	12	0.472	-	1/2-20UNF	1.94	
		125	4.921	74.6	2.937	30	1.181	1.5	0.059	62.2	44.1	2.01	14.5		UCX13-40 UCX13-40L3	9	0.354	30.2	1.189	44.4	1.748	12	0.472	-	1/2-20UNF	2.61
-	-	140	5.512	75	2.953	38	1.496	2.1	0.083	92.7	59.9	2.68	13.2	UC313-40 UC313-40L3	12	0.472	30	1.181	45	1.772	12	0.472	M12x1.5	-	3.24	
		120	4.724	65.1	2.563	28	1.102	1.5	0.059	57.2	40.1	1.82	14.4		UC213 UC213L3	7.5	0.295	25.4	1.000	39.7	1.563	12	0.472	M12x1.5	-	1.86
65	-	125	4.921	74.6	2.937	30	1.181	1.5	0.059	62.2	44.1	2.01	14.5	UCX13 UCX13L3	9	0.354	30.2	1.189	44.4	1.748	12	0.472	M12x1.5	-	2.52	
		140	5.512	75	2.953	38	1.496	2.1	0.083	92.7	59.9	2.68	13.2		UC313 UC313L3	12	0.472	30	1.181	45	1.772	12	0.472	M12x1.5	-	3.16
-	2 3/4	125	4.921	74.6	2.937	30	1.181	1.5	0.059	62.2	44.1	2.01	14.5	UC214-44 UC214-44L3	9	0.354	30.2	1.189	44.4	1.748	12	0.472	-	1/2-20UNF	2.06	
		130	5.118	77.8	3.063	32	1.260	1.5	0.059	67.4	48.3	2.17	14.5		UCX14-44 UCX14-44L3	9	0.354	33.3	1.311	44.5	1.752	12	0.472	-	1/2-20UNF	2.75
-	-	150	5.906	78	3.071	40	1.575	2.1	0.083	104	68.2	2.96	13.2	UC314-44 UC314-44L3	12.5	0.492	33	1.299	45	1.772	12	0.472	M12x1.5	-	3.91	
		125	4.921	74.6	2.937	30	1.181	1.5	0.059	62.2	44.1	2.01	14.5		UC214 UC214L3	9	0.354	30.2	1.189	44.4	1.748	12	0.472	M12x1.5	-	2.05
-	-	130	5.118	77.8	3.063	32	1.260	1.5	0.059	67.4	48.3	2.17	14.5	UCX14 UCX14L3	9	0.354	33.3	1.311	44.5	1.752	12	0.472	M12x1.5	-	2.74	
		150	5.906	78	3.071	40	1.575	2.1	0.083	104	68.2	2.96	13.2		UC314 UC314L3	12.5	0.492	33	1.299	45	1.772	12	0.472	M12x1.5	-	3.90
-	2 15/16	130	5.118	77.8	3.063	32	1.260	1.5	0.059	67.4	48.3	2.17	14.5	UC215-47 UC215-47L3	9	0.354	33.3	1.311	44.5	1.752	12	0.472	-	1/2-20UNF	2.23	
		140	5.512	82.6	3.252	33	1.299	1.5	0.059	72.7	53.0	2.30	14.6		UCX15-47 UCX15-47L3	9	0.354	33.3	1.311	49.3	1.941	14	0.551	-	1/2-20UNF	3.43
-	-	160	6.299	82	3.228	42	1.654	2.1	0.083	113	77.2	3.24	13.2	UC315-47 UC315-47L3	14.5	0.571	32	1.260	50	1.969	14	0.551	M14x1.5	-	4.72	
		130	5.118	77.8	3.063	32	1.260	1.5	0.059	67.4	48.3	2.17	14.5		UC215 UC215L3	9	0.354	33.3	1.311	44.5	1.752	12	0.472	M12x1.5	-	2.21
75	-	140	5.512	82.6	3.252	33	1.299	1.5	0.059	72.7	53.0	2.30	14.6	UCX15 UCX15L3	9	0.354	33.3	1.311	49.3	1.941	14	0.551	M12x1.5	-	3.41	
		160	6.299	82	3.228	42	1.654	2.1	0.083	113	77.2	3.24	13.2		UC315 UC315L3	14.5	0.571	32	1.260	50	1.969	14	0.551	M14x1.5	-	4.70
-	3	130	5.118	77.8	3.063	32	1.260	1.5	0.059	67.4	48.3	2.17	14.5	UC215-48 UC215-48L3	9	0.354	33.3	1.311	44.5	1.752	12	0.472	-	1/2-20UNF	2.12	
		140	5.512	82.6	3.252	33	1.299	1.5	0.059	72.7	53.0	2.30	14.6		UCX15-48 UCX15-48L3	9	0.354	33.3	1.311	49.3	1.941	14	0.551	-	1/2-20UNF	3.32
-	-	160	6.299	82	3.228	42	1.654	2.1	0.083	113	77.2	3.24	13.2	UC315-48 UC315-48L3	14.5	0.571	32	1.260	50	1.969	14	0.551	M14x1.5	-	4.61	
		140	5.512	82.6	3.252	33	1.299	2	0.079	72.7	53.0	2.30	14.6		UC216-50 UC216-50L3	9	0.354	33.3	1.311	49.3	1.941	14	0.551	-	1/2-20UNF	2.84
80	-	140	5.512	82.6	3.252	33	1.299	2	0.079	72.7	53.0	2.30	14.6	UC216 UC216L3	9	0.354	33.3	1.311	49.3	1.941	14	0.551	M12x1.5	-	2.79	
		150	5.906	85.7	3.374	35	1.378	2	0.079	84.0	61.9	2.60	14.5		UCX16 UCX16L3	10	0.394	34.1	1.343	51.6	2.031	14	0.551	M12x1.5	-	3.87
-	-	170	6.693	86	3.386	44	1.732	2.1	0.083	123	86.7	3.53	13.3	UC316 UC316L3	15	0.591	34	1.339	52	2.047	14	0.551	M14x1.5	-	5.60	
		150	5.906	85.7	3.374	35	1.378	2	0.079	84.0	61.9	2.60	14.5		UC217-52 UC217-52L3	10	0.394	34.1	1.343	51.6	2.031	14	0.551	-	1/2-20UNF	3.66
85	-	150	5.906	85.7	3.374	35	1.378	2	0.079	84.0	61.9	2.60	14.5	UC217 UC217L3	10	0.394	34.1	1.343	51.6	2.031	14	0.551	M12x1.5	-	3.45	
		160	6.299	96	3.780	38	1.496	2	0.079	96.1	71.5	2.91	14.5		UCX17 UCX17L3	11	0.433	39.7	1.563	56.3	2.217	15	0.591	M12x1.5	-	5.05
-	-	180	7.087	96	3.780	46	1.811	3	0.118	133	96.8	3.82	13.3	UC317 UC317L3	15	0.591	40	1.575	56	2.205	16	0.630	M16x1.5	-	6.90	
		160	6.299	96	3.780	38	1.496	2	0.079	96.1	71.5	2.91	14.5		UCX17-55 UCX17-55L3	11	0.433	39.7	1.563	56.3	2.217	15	0.591	-	1/2-20UNF	4.80
-	3 7/16	160	6.299	96	3.780	38	1.496	2	0.079	96.1	71.5	2.91	14.5	UC218-56 UC218-56L3	11	0.433	39.7	1.563	56.3	2.217	15	0.591	-	1/2-20UNF	4.46	
		190	7.480	96	3.780	48	1.890	3	0.118	143	107	4.11	13.3		UC318-56 UC318-56L3	15.5	0.610	40	1.575	56	2.205	16	0.630	M16x1.5	-	8.03
90	-	160	6.299	96	3.780	38	1.496	2	0.079	96.1	71.5	2.91	14.5	UC218 UC218L3	11	0.433	39.7	1.563	56.3	2.217	15	0.591	M12x1.5	-	4.35	
		170	6.693	104	4.094	40	1.575	2	0.079	109	81.9	3.23	14.4		UCX18 UCX18L3	11.5	0.453	42.9	1.689	61.1	2.406	16	0.630	M14x1.5	-	6.00
-	-	190	7.480	96	3.780	48	1.890	3	0.118	143	107	4.11	13.3	UC318 UC318L3	15.5	0.610	40	1.575	56	2.205	16	0.630	M16x1.5	-	7.87	
		200	7.874	103	4.055	50	1.969	3	0.118	153	119	4.45	13.3		UC319 UC319L3	16.5	0.650	41	1.614	62	2.441	18	0.709	M16x1.5	-	8.91
100	-	190	7.480	117.5	4.626	43	1.693	2.1	0.083	133	105	3.91	14.4	UCX20 UCX20L3	13	0.512	49.2	1.937	68.3	2.689	18	0.709	M16x1.5	-	8.56	
		215	8.465	108	4.252	54	2.126	3	0.118	173	141	5.08	13.2		UC320 UC320L3	18	0.709	42	1.654	66	2.598	20	0.787	M18x1.5	-	11.2
-	3 15/16	190	7.480	117.5	4.626	43	1.693	2.1	0.083	133	105	3.91	14.4	UCX20-63 UCX20-63L3	13	0.512	49.2	1.937	68.3	2.689	18	0.709	-	5/8-18UNF	8.56	
		215	8.465	108	4.252	54	2.126	3	0.118	173	141	5.08	13.2		UC320-63 UC320-63L3	18	0.709	42	1.654	66	2.598	20	0.787	M18x1.5	-	11.2
-	4	190	7.480	117.5	4.626	43	1.693	2.1	0.083	133	105	3.91	14.4	UCX20-64 UCX20-64L3	13	0.512	49.2	1.937	68.3	2.689	18	0.709	-	5/8-18UNF	8.33	
		215	8.465	108	4.252	54	2.126	3	0.118	173																

UC-S6, SU-S6 (Stainless-series)
Cylindrical bore (with set screws)
d 10 ~ 50 mm



UC-S6

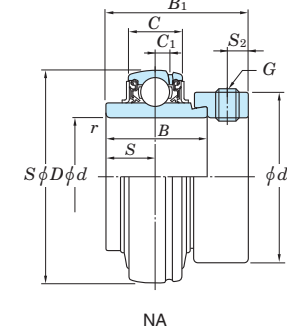
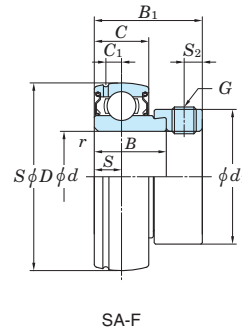
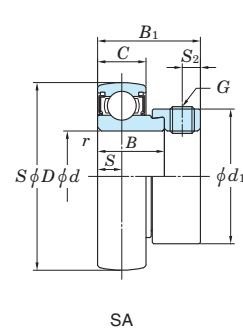


SU-S6

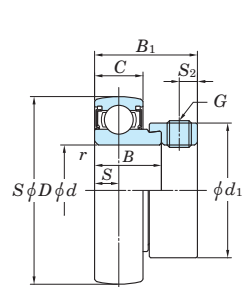
Shaft Dia. mm <i>d</i>	Dimensions								Basic Load Ratings kN		Fatigue Load Limit kN	Factor	Bearing No.	Dimensions								Set Screw Dia. G	Mass
	<i>D</i>		<i>B</i>		<i>C</i>		<i>r</i> (min.)		<i>C_r</i>	<i>C_{0r}</i>	<i>C_u</i>	<i>f₀</i>		<i>C₁</i>	<i>S</i>		<i>S₁</i>		<i>S₂</i>		mm	kg	
	mm	inch	mm	inch	mm	inch	mm	inch						mm	inch	mm	inch	mm	inch	mm	inch		
10	26	1.024	15	0.591	8	0.315	0.3	0.012	3.9	1.55	0.070	12.3	SU000S6	-	-	5	0.197	10	0.394	3	0.118	M3×0.35	0.024
12	28	1.102	15	0.591	8	0.315	0.3	0.012	4.3	1.9	0.086	13.2	SU001S6	-	-	5	0.197	10	0.394	3	0.118	M3×0.35	0.026
15	32	1.260	16.5	0.650	9	0.354	0.3	0.012	4.7	2.25	0.102	13.9	SU002S6	-	-	5.5	0.217	11	0.433	3.3	0.130	M4×0.5	0.038
17	35	1.378	17.5	0.689	10	0.394	0.3	0.012	5.1	2.6	0.118	14.4	SU003S6	-	-	6	0.236	11.5	0.453	3.3	0.130	M4×0.5	0.050
20	42	1.654	21	0.827	12	0.472	0.6	0.024	7.9	4	0.182	13.9	SU004S6	-	-	7	0.276	14	0.551	4	0.157	M5×0.5	0.080
	47	1.850	31	1.220	16	0.630	1	0.039	10.9	5.35	0.243	13.2	UC204S6	4	0.157	12.7	0.500	18.3	0.720	5	0.197	M6×0.75	0.16
25	47	1.850	22	0.866	12	0.472	0.6	0.024	8.5	4.65	0.211	14.5	SU005S6	-	-	7	0.276	15	0.591	4.5	0.177	M5×0.5	0.10
	52	2.047	34.1	1.343	17	0.669	1	0.039	11.9	6.3	0.286	13.9	UC205S6	5	0.197	14.3	0.563	19.8	0.780	5.5	0.217	M6×0.75	0.20
30	55	2.165	24.5	0.965	13	0.512	1	0.039	11.2	6.6	0.300	14.7	SU006S6	-	-	7.5	0.295	17	0.669	5.5	0.217	M5×0.5	0.15
	62	2.441	38.1	1.500	19	0.748	1	0.039	16.5	9.05	0.411	13.9	UC206S6	5	0.197	15.9	0.626	22.2	0.874	6	0.236	M6×0.75	0.32
35	72	2.835	42.9	1.689	20	0.787	1.1	0.043	21.8	12.3	0.559	13.9	UC207S6	5.5	0.217	17.5	0.689	25.4	1.000	6.5	0.256	M8×1	0.48
40	80	3.150	49.2	1.937	21	0.827	1.1	0.043	24.8	14.3	0.650	14.0	UC208S6	6	0.236	19	0.748	30.2	1.189	8	0.315	M8×1	0.64
45	85	3.346	49.2	1.937	22	0.866	1.1	0.043	27.8	16.2	0.736	14.0	UC209S6	6	0.236	19	0.748	30.2	1.189	8	0.315	M8×1	0.68
50	90	3.543	51.6	2.031	24	0.945	1.1	0.043	29.8	18.6	0.845	14.4	UC210S6	6	0.236	19	0.748	32.6	1.283	9	0.354	M8×1	0.80

Remark S6 series product is the stainless-series ball bearing for unit.

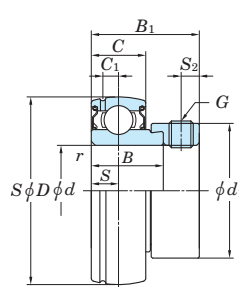
SA, SA-F, NA
Cylindrical bore
(with eccentric locking collar)
 d 12 ~ (30) mm



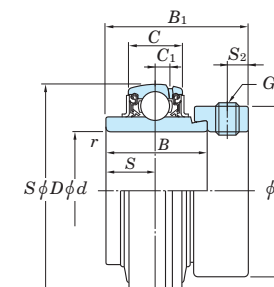
Shaft Dia mm inch	Dimensions										Basic Load Ratings kN		Fatigue Load Limit kN	Factor	Bearing No.	Dimensions						Set Screw Dia. G		Mass kg			
	D		B		B_1		C		r (min.)		C_r	C_{0r}	C_u	f_0		C_1	S		S_2		d_1	mm	inch				
12	-	40	1.575	19	0.784	28.5	1.122	12	0.472	0.6	0.024	9.55	4.80	0.218	13.2	SA201	-	-	6	0.236	4.8	0.189	28.6	1.126	M6x0.75	-	0.13
		40	1.575	19.1	0.752	28.6	1.126	13	0.512	0.6	0.024	9.55	4.80	0.218	13.2	SA201F	3.4	0.134	6.5	0.256	4.8	0.189	28.6	1.126	M6x0.75	-	0.13
		47	1.850	34.2	1.346	43.7	1.720	16	0.630	1	0.039	12.8	6.65	0.302	13.2	NA201	4	0.157	17.1	0.673	4.8	0.189	33.3	1.311	M6x0.75	-	0.29
-	1/2	40	1.575	19	0.784	28.5	1.122	12	0.472	0.6	0.024	9.55	4.80	0.218	13.2	SA201-8	-	-	6	0.236	4.8	0.189	28.6	1.126	-	1/4-28UNF	0.13
		40	1.575	19.1	0.752	28.6	1.126	13	0.512	0.6	0.024	9.55	4.80	0.218	13.2	SA201-8F	3.4	0.134	6.5	0.256	4.8	0.189	28.6	1.126	-	1/4-28UNF	0.13
		47	1.850	34.2	1.346	43.7	1.720	16	0.630	1	0.039	12.8	6.65	0.302	13.2	NA201-8	4	0.157	17.1	0.673	4.8	0.189	33.3	1.311	-	1/4-28UNF	0.29
15	-	40	1.575	19	0.784	28.5	1.122	12	0.472	0.6	0.024	9.55	4.80	0.218	13.2	SA202	-	-	6	0.236	4.8	0.189	28.6	1.126	M6x0.75	-	0.13
		40	1.575	19.1	0.752	28.6	1.126	13	0.512	0.6	0.024	9.55	4.80	0.218	13.2	SA202F	3.4	0.134	6.5	0.256	4.8	0.189	28.6	1.126	M6x0.75	-	0.13
		47	1.850	34.2	1.346	43.7	1.720	16	0.630	1	0.039	12.8	6.65	0.302	13.2	NA202	4	0.157	17.1	0.673	4.8	0.189	33.3	1.311	M6x0.75	-	0.27
-	5/8	40	1.575	19	0.784	28.5	1.122	12	0.472	0.6	0.024	9.55	4.80	0.218	13.2	SA202-10	-	-	6	0.236	4.8	0.189	28.6	1.126	-	1/4-28UNF	0.13
		47	1.850	34.2	1.346	43.7	1.720	16	0.630	1	0.039	12.8	6.65	0.302	13.2	NA202-10	4	0.157	17.1	0.673	4.8	0.189	33.3	1.311	-	1/4-28UNF	0.26
		40	1.575	19	0.784	28.5	1.122	12	0.472	0.6	0.024	9.55	4.80	0.218	13.2	SA203	-	-	6	0.236	4.8	0.189	28.6	1.126	M6x0.75	-	0.13
17	-	40	1.575	19.1	0.752	28.6	1.126	13	0.512	0.6	0.024	9.55	4.80	0.218	13.2	SA203F	3.4	0.134	6.5	0.256	4.8	0.189	28.6	1.126	M6x0.75	-	0.13
		47	1.850	34.2	1.346	43.7	1.720	16	0.630	1	0.039	12.8	6.65	0.302	13.2	NA203	4	0.157	17.1	0.673	4.8	0.189	33.3	1.311	M6x0.75	-	0.25
		47	1.850	20	0.787	29.5	1.161	14	0.551	1	0.039	12.8	6.65	0.302	13.2	SA204-12	-	-	7	0.276	4.8	0.189	33.3	1.311	-	1/4-28UNF	0.15
-	3/4	47	1.850	21.5	0.846	31	1.220	15	0.591	1	0.039	12.8	6.65	0.302	13.2	SA204-12F	3.7	0.146	7.5	0.295	4.8	0.189	33.3	1.311	-	1/4-28UNF	0.19
		47	1.850	34.2	1.346	43.7	1.720	16	0.630	1	0.039	12.8	6.65	0.302	13.2	NA204-12	4	0.157	17.1	0.673	4.8	0.189	33.3	1.311	-	1/4-28UNF	0.23
		47	1.850	20	0.787	29.5	1.161	14	0.551	1	0.039	12.8	6.65	0.302	13.2	SA204	-	-	7	0.276	4.8	0.189	33.3	1.311	M6x0.75	-	0.15
20	-	47	1.850	21.5	0.846	31	1.220	15	0.591	1	0.039	12.8	6.65	0.302	13.2	SA204F	3.7	0.146	7.5	0.295	4.8	0.189	33.3	1.311	M6x0.75	-	0.19
		47	1.850	34.2	1.346	43.7	1.720	16	0.630	1	0.039	12.8	6.65	0.302	13.2	NA204	4	0.157	17.1	0.673	4.8	0.189	33.3	1.311	M6x0.75	-	0.22
		52	2.047	21	0.827	30.5	1.201	15	0.591	1	0.039	14.0	7.85	0.357	13.9	SA205-14	-	-	7.5	0.295	4.8	0.189	38.1	1.500	-	1/4-28UNF	0.22
-	7/8	52	2.047	34.9	1.374	44.4	1.748	17	0.669	1	0.039	14.0	7.85	0.357	13.9	NA205-14	5	0.197	17.5	0.689	4.8	0.189	38.1	1.500	-	1/4-28UNF	0.27
		52	2.047	21	0.827	30.5	1.201	15	0.591	1	0.039	14.0	7.85	0.357	13.9	SA205-15	-	-	7.5	0.295	4.8	0.189	38.1	1.500	-	1/4-28UNF	0.22
		52	2.047	21.5	0.846	31	1.220	15	0.591	1	0.039	14.0	7.85	0.357	13.9	SA205-15F	3.7	0.146	7.5	0.295	4.8	0.189	38.1	1.500	-	1/4-28UNF	0.23
-	15/16	52	2.047	34.9	1.374	44.4	1.748	17	0.669	1	0.039	14.0	7.85	0.357	13.9	NA205-15	5	0.197	17.5	0.689	4.8	0.189	38.1	1.500	-	1/4-28UNF	0.29
		52	2.047	21	0.827	30.5	1.201	15	0.591	1	0.039	14.0	7.85	0.357	13.9	SA205	-	-	7.5	0.295	4.8	0.189	38.1	1.500	M6x0.75	-	0.22
		52	2.047	21.5	0.846	31	1.220	15	0.591	1	0.039	14.0	7.85	0.357	13.9	SA205F	3.7	0.146	7.5	0.295	4.8	0.189	38.1	1.500	M6x0.75	-	0.23
25	-	52	2.047	34.9	1.374	44.4	1.748	17	0.669	1	0.039	14.0	7.85	0.357	13.9	NA205	5	0.197	17.5	0.689	4.8	0.189	38.1	1.500	M6x0.75	-	0.25
		52	2.047	21	0.827	30.5	1.201	15	0.591	1	0.039	14.0	7.85	0.357	13.9	SA205-16	-	-	7.5	0.295	4.8	0.189	38.1	1.500	-	1/4-28UNF	0.22
		52	2.047	21.5	0.846	31	1.220	15	0.591	1	0.039	14.0	7.85	0.357	13.9	SA205-16F	3.7	0.146	7.5	0.295	4.8	0.189	38.1	1.500	-	1/4-28UNF	0.23
-	1	52	2.047	34.9	1.374	44.4	1.748	17	0.669	1	0.039	14.0	7.85	0.357	13.9	NA205-16	5	0.197	17.5	0.689	4.8	0.189	38.1	1.500	-	1/4-28UNF	0.25
		62	2.441	22	0.866	33.9	1.335	16	0.630	1	0.039	19.5	11.3	0.514	13.9	SA206-18	-	-	8	0.315	6	0.236	44.5	1.752	-	5/16-24UNF	0.3
		62	2.441	23.8	0.937	35.7	1.406	18	0.709	1	0.039	19.5	11.3	0.514	13.9	SA206-18F	4.7	0.185	9	0.354	6	0.236	44.5	1.752	-	5/16-24UNF	0.34
-	1 1/8	62	2.441	36.5	1.437	48.4	1.906	19	0.748	1	0.039	19.5	11.3	0.514	13.9	NA206-18	5	0.197	18.3	0.720	6	0.236	44.5	1.752	-	5/16-24UNF	0.43
		62	2.441	22	0.866	33.9	1.335	16	0.630	1	0.039	19.5	11.3	0.514	13.9	SA206	-	-	8	0.315	6	0.236	44.5	1.752	M8x1	-	0.3
		62	2.441	23.8	0.937	35.7	1.406	18	0.709	1	0.039	19.5	11.3	0.514	13.9	SA206F	4.7	0.185	9	0.354	6	0.236	44.5	1.752	M8x1	-	0.34
30	-	62	2.441	36.5	1.437	48.4	1.906	19	0.748	1	0.039	19.5	11.3	0.514	13.9	NA206	5	0.197	18.3	0.720	6	0.236	44.5	1.752	M8x1	-	0.41
		62	2.441	22	0.866	33.9	1.335	16	0.630	1	0.039	19.5	11.3	0.514	13.9	SA206-19	-	-	8	0.315	6	0.236	44.5	1.752	-	5/16-24UNF	0.3
		62	2.441	23.8	0.937	35.7	1.406	18	0.709	1	0.039	19.5	11.3	0.514	13.9	SA206-19F	4.7	0.185	9	0.354	6	0.236	44.5	1.752	-	5/16-24UNF	0.34
-	1 3/16	62	2.441	36.5	1.437	48.4	1.906	19	0.748	1	0.039	19.5	11.3	0.514	13.9	NA206-19	5	0.197	18.3	0.720	6	0.236	44.5	1.752	-	5/16-24UNF	0.41
		62	2.441	22	0.866	33.9	1.335	16	0.630	1	0.039	19.5	11.3	0.514	13.9	SA206-20	-	-	8	0.315	6	0.236	44.5	1.752	-	5/16-24UNF	0.3
		62	2.441	23.8	0.937	35.7	1.406	18	0.709	1	0.039	19.5	11.3	0.514	13.9	SA206-20F	4.7	0.185	9	0.354	6	0.236	44.5	1.752	-	5/16-24UNF	0.34
-	1 1/4	62	2.441	36.5	1.437	48.4	1.906	19	0.748	1	0.039	19.5	11.3	0.514	13.9	NA206-20	5	0.197	18.3	0.720	6	0.236	44.5	1.752	-	5/16-24UNF	0.38
		72	2.835																								

SA, SA-F, NA
 Cylindrical bore
 (with eccentric locking collar)
d (30) ~ 75 mm


SA



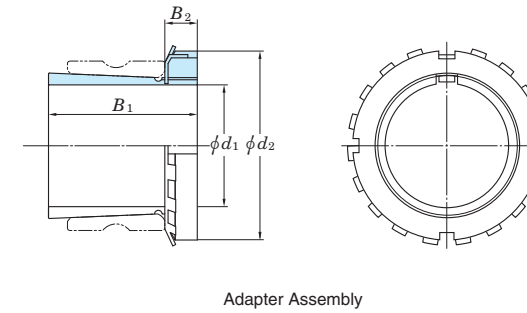
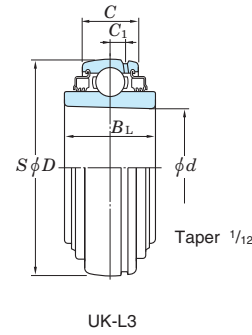
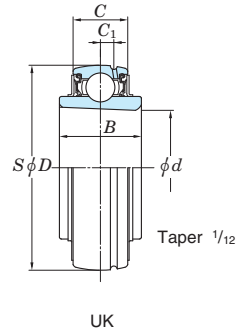
SA-F



NA

Shaft Dia mm inch <i>d</i>	Dimensions										Basic Load Ratings kN		Fatigue Load Limit kN	Factor	Bearing No.	Dimensions						Set Screw Dia. G		Mass kg			
	<i>D</i> mm inch	<i>B</i> mm inch	<i>B</i> mm inch		<i>B</i> ₁ mm inch		<i>C</i> mm inch		<i>r</i> (min.) mm inch		<i>C</i> _r	<i>C</i> _{0r}	<i>C</i> _u	<i>f</i> ₀		<i>C</i> ₁ mm inch	<i>S</i> mm inch	<i>S</i> ₂ mm inch		<i>d</i> ₁ mm inch		mm inch					
-	1 3/8	72	2.835	23	0.906	36.5	1.437	17	0.669	1.1	0.043	25.7	15.4	0.700	13.9	SA207-22	-	-	8.5	0.335	6.8	0.268	55.6	2.189	-	5/16-24UNF	0.5
		72	2.835	25.4	1.000	38.9	1.531	19	0.748	1.1	0.043	25.7	15.4	0.700	13.9	SA207-22F	5.7	0.224	9.5	0.335	6.8	0.268	55.6	2.189	-	5/16-24UNF	0.57
		72	2.835	37.6	1.480	51.1	2.012	20	0.787	1.1	0.043	25.7	15.4	0.700	13.9	NA207-22	5.5	0.217	18.8	0.740	6.8	0.268	55.6	2.189	-	5/16-24UNF	0.61
35	-	72	2.835	23	0.906	36.5	1.437	17	0.669	1.1	0.043	25.7	15.4	0.700	13.9	SA207	-	-	8.5	0.335	6.8	0.268	55.6	2.189	M8×1	-	0.5
		72	2.835	25.4	1.000	38.9	1.531	19	0.748	1.1	0.043	25.7	15.4	0.700	13.9	SA207F	5.7	0.224	9.5	0.335	6.8	0.268	55.6	2.189	M8×1	-	0.57
		72	2.835	37.6	1.480	51.1	2.012	20	0.787	1.1	0.043	25.7	15.4	0.700	13.9	NA207	5.5	0.217	18.8	0.740	6.8	0.268	55.6	2.189	M8×1	-	0.61
-	1 7/16	72	2.835	23	0.906	36.5	1.437	17	0.669	1.1	0.043	25.7	15.4	0.700	13.9	SA207-23	-	-	8.5	0.335	6.8	0.268	55.6	2.189	-	5/16-24UNF	0.5
		72	2.835	25.4	1.000	38.9	1.531	19	0.748	1.1	0.043	25.7	15.4	0.700	13.9	SA207-23F	5.7	0.224	9.5	0.335	6.8	0.268	55.6	2.189	-	5/16-24UNF	0.57
		72	2.835	37.6	1.480	51.1	2.012	20	0.787	1.1	0.043	25.7	15.4	0.700	13.9	NA207-23	5.5	0.217	18.8	0.740	6.8	0.268	55.6	2.189	-	5/16-24UNF	0.58
-	1 1/2	80	3.150	27	1.063	40.5	1.595	18	0.709	1.1	0.043	29.1	17.8	0.809	14.0	SA208-24	-	-	9	0.354	6.8	0.268	60.3	2.374	-	5/16-24UNF	0.67
		80	3.150	30.2	1.189	43.7	1.720	22	0.866	1.1	0.043	29.1	17.8	0.809	14.0	SA208-24F	6.4	0.252	11	0.433	6.8	0.268	60.3	2.374	-	5/16-24UNF	0.75
		80	3.150	42.8	1.685	56.3	2.217	21	0.827	1.1	0.043	29.1	17.8	0.809	14.0	NA208-24	6	0.236	21.4	0.843	6.8	0.268	60.3	2.374	-	5/16-24UNF	0.83
-	1 9/16	80	3.150	27	1.063	40.5	1.595	18	0.709	1.1	0.043	29.1	17.8	0.809	14.0	SA208-25	-	-	9	0.354	6.8	0.268	60.3	2.374	-	5/16-24UNF	0.67
		80	3.150	30.2	1.189	43.7	1.720	22	0.866	1.1	0.043	29.1	17.8	0.809	14.0	SA208-25F	6.4	0.252	11	0.433	6.8	0.268	60.3	2.374	-	5/16-24UNF	0.75
		80	3.150	42.8	1.685	56.3	2.217	21	0.827	1.1	0.043	29.1	17.8	0.809	14.0	NA208-25	6	0.236	21.4	0.843	6.8	0.268	60.3	2.374	-	5/16-24UNF	0.79
40	-	80	3.150	27	1.063	40.5	1.595	18	0.709	1.1	0.043	29.1	17.8	0.809	14.0	SA208	-	-	9	0.354	6.8	0.268	60.3	2.374	M8×1	-	0.67
		80	3.150	30.2	1.189	43.7	1.720	22	0.866	1.1	0.043	29.1	17.8	0.809	14.0	SA208F	6.4	0.252	11	0.433	6.8	0.268	60.3	2.374	M8×1	-	0.75
		80	3.150	42.8	1.685	56.3	2.217	21	0.827	1.1	0.043	29.1	17.8	0.809	14.0	NA208	6	0.236	21.4	0.843	6.8	0.268	60.3	2.374	M8×1	-	0.78
-	1 5/8	85	3.346	30.2	1.189	43.7	1.720	22	0.866	1.1	0.043	34.1	21.3	0.968	14.0	SA209-26F	6	0.236	11	0.433	6.8	0.268	63.5	2.500	-	5/16-24UNF	0.82
		85	3.346	42.8	1.685	56.3	2.217	22	0.866	1.1	0.043	34.1	21.3	0.968	14.0	NA209-26	6	0.236	21.4	0.843	6.8	0.268	63.5	2.500	-	5/16-24UNF	0.96
-	1 11/16	85	3.346	30.2	1.189	43.7	1.720	22	0.866	1.1	0.043	34.1	21.3	0.968	14.0	SA209-27F	6	0.236	11	0.433	6.8	0.268	63.5	2.500	-	5/16-24UNF	0.82
		85	3.346	42.8	1.685	56.3	2.217	22	0.866	1.1	0.043	34.1	21.3	0.968	14.0	NA209-27	6	0.236	21.4	0.843	6.8	0.268	63.5	2.500	-	5/16-24UNF	0.91
-	1 3/4	85	3.346	30.2	1.189	43.7	1.720	22	0.866	1.1	0.043	34.1	21.3	0.968	14.0	SA209-28F	6	0.236	11	0.433	6.8	0.268	63.5	2.500	-	5/16-24UNF	0.82
		85	3.346	42.8	1.685	56.3	2.217	22	0.866	1.1	0.043	34.1	21.3	0.968	14.0	NA209-28	6	0.236	21.4	0.843	6.8	0.268	63.5	2.500	-	5/16-24UNF	0.87
45	-	85	3.346	30.2	1.189	43.7	1.720	22	0.866	1.1	0.043	34.1	21.3	0.968	14.0	SA209F	6	0.236	11	0.433	6.8	0.268	63.5	2.500	M8×1	-	0.82
		85	3.346	42.8	1.685	56.3	2.217	22	0.866	1.1	0.043	34.1	21.3	0.968	14.0	NA209	6	0.236	21.4	0.843	6.8	0.268	63.5	2.500	M8×1	-	0.85
		90	3.543	30.2	1.189	43.7	1.720	22	0.866	1.1	0.043	35.1	23.3	1.06	14.4	SA210-30F	6.6	0.260	11	0.433	6.8	0.268	69.9	2.752	-	5/16-24UNF	0.85
-	1 7/8	90	3.543	49.2	1.937	62.7	2.469	24	0.945	1.1	0.043	35.1	23.3	1.06	14.4	NA210-30	6	0.236	24.6	0.969	6.8	0.268	69.9	2.752	-	5/16-24UNF	1.08
		90	3.543	30.2	1.189	43.7	1.720	22	0.866	1.1	0.043	35.1	23.3	1.06	14.4	SA210-31F	6.6	0.260	11	0.433	6.8	0.268	69.9	2.752	-	5/16-24UNF	0.85
		90	3.543	49.2	1.937	62.7	2.469	24	0.945	1.1	0.043	35.1	23.3	1.06	14.4	NA210-31	6	0.236	24.6	0.969	6.8	0.268	69.9	2.752	-	5/16-24UNF	1.04
50	-	90	3.543	30.2	1.189	43.7	1.720	22	0.866	1.1	0.043	35.1	23.3	1.06	14.4	SA210F	6.6	0.260	11	0.433	6.8	0.268	69.9	2.752	M8×1	-	0.85
		90	3.543	49.2	1.937	62.7	2.469	24	0.945	1.1	0.043	35.1	23.3	1.06	14.4	NA210	6	0.236	24.6	0.969	6.8	0.268	69.9	2.752	M8×1	-	1.01
		90	3.543	49.2	1.937	62.7	2.469	24	0.945	1.1	0.043	35.1	23.3	1.06	14.4	NA210-32	6	0.236	24.6	0.969	6.8	0.268	69.9	2.752	-	5/16-24UNF	0.99
-	2	100	3.937	32.4	1.276	48.4	1.906	24	0.945	1.5	0.059	43.4	29.4	1.34	14.4	SA211-32F	7	0.276	12	0.472	8	0.315	76.2	3.000	-	3/8-24UNF	1.2
		100	3.937	55.5	2.185	71.4	2.811	25	0.984	1.5	0.059	43.4	29.4	1.34	14.4	NA211-32	7	0.276	27.8	1.094	8	0.315	76.2	3.000	-	3/8-24UNF	1.58
		100	3.937	32.4	1.276	48.4	1.906	24	0.945	1.5	0.059	43.4	29.4	1.34	14.4	SA211-34F	7	0.276	12	0.472	8	0.315	76.2	3.000	-	3/8-24UNF	1.2
-	2 1/8	100	3.937	55.5	2.185	71.4	2.811	25	0.984	1.5	0.059	43.4	29.4	1.34	14.4	NA211-34	7	0.276	27.8	1.094	8	0.315	76.2	3.000	-	3/8-24UNF	1.49
		100	3.937	32.4	1.276	48.4	1.906	24	0.945	1.5	0.059	43.4	29.4	1.34	14.4	SA211F	7	0.276	12	0.472	8	0.315	76.2	3.000	M10×1.25	-	1.2
		100	3.937	55.5	2.185	71.4	2.811	25	0.984	1.5	0.059	43.4	29.4	1.34	14.4	NA211	7	0.276	27.8	1.094	8	0.315	76.2	3.000	M10×1.25	-	1.39
-	2 3/16	100	3.937	32.4	1.276	48.4	1.906	24	0.945	1.5	0.059	43.4	29.4	1.34	14.4	SA211-35F	7	0.276	12	0.472	8	0.315	76.2	3.000	-	3/8-24UNF	1.2
		100	3.937	55.5	2.185	71.4	2.811	25	0.984	1.5	0.059	43.4	29.4	1.34	14.4	NA211-35	7	0.276	27.8	1.094	8	0.315	76.2	3.000	-	3/8-24UNF	1.36
		110	4.331	61.9	2.437	77.8	3.063	27	1.063	1.5	0.059	52.4	36.2	1.65	14.4	NA212-36	7.5	0.2									

UK
Tapered bore (with adapter)
 d_1 20 ~ (50) mm

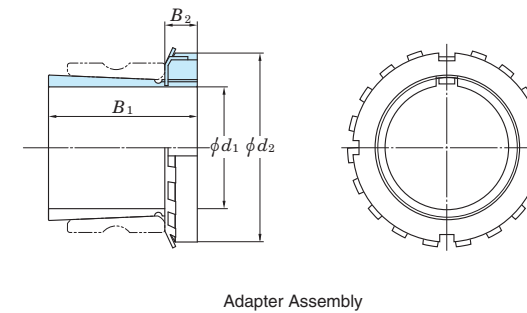
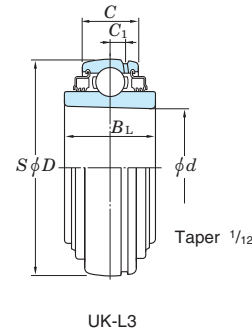
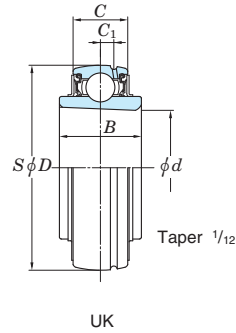


Shaft Dia. mm inch	Dimensions inch mm							Basic Load Ratings kN		Fatigue Load Limit kN	Factor f_0	Bearing No.		Mass kg	Adapter Assembly No.	H23 Series Adapter Dimensions inch mm			Mass kg	Sleeve No.	
	d_1	d	D	B	B_L	C	C_1	C_r	C_{0r}			Standard	L3 Type			Standard	L3 Type	B_1			B_2
20	3/4	0.984	2.047	0.945	0.945	0.669	0.197	14.0	7.85	0.357	13.9	UK205	UK205L2	0.18	0.18	HE2305X	1.378	0.315	1.496	0.095	AE2305X
		25	52	24	24	17	5										H2305X	35	8	38	
	3/4	0.984	2.441	1.063	-	0.748	0.197	19.5	11.3	0.514	13.9	UKX05	-	0.27	-	HE2305X	1.378	0.315	1.496	0.095	AE2305X
25	1	0.984	2.441	1.063	-	0.866	0.236	21.2	10.9	0.495	12.6	UK305	-	0.40	-	H2305X	35	8	38	0.095	AE2305X
		25	62	27	-	19	5										H2305X	35	8	38	
	1	1.181	2.441	1.063	1.063	0.748	0.197	19.5	11.3	0.514	13.9	UK206	UK206L3	0.29	0.29	H2306X	1.496	0.315	1.772	0.13	A2306X
30	1 1/8	1.181	2.835	1.181	-	0.787	0.217	25.7	15.4	0.700	13.9	UKX06	-	0.43	-	H2306X	1.496	0.315	1.772	0.13	A2306X
		30	72	30	-	20	5.5										HE2306X	38	8	45	
	1 1/8	1.181	2.835	1.181	-	0.945	0.256	26.7	15.0	0.682	13.3	UK306	-	0.47	-	H2306X	1.496	0.315	1.772	0.13	A2306X
35	1 1/4	1.378	2.835	1.181	1.181	0.787	0.217	29.1	17.8	0.809	14.0	UK207	UK207L3	0.43	0.43	HS2307X	1.693	0.354	2.047	0.17	AS2307X
		35	72	30	30	20	5.5										H2307X	43	9	52	
	1 1/4	1.378	3.150	1.339	-	0.827	0.236	29.1	17.8	0.809	14.0	UKX07	-	0.53	-	HS2307X	1.693	0.354	2.047	0.17	AS2307X
40	1 1/2	1.378	3.150	1.299	1.299	1.024	0.295	33.4	19.3	0.877	13.2	UK307	UK307L3	0.60	0.60	HS2307X	1.693	0.354	2.047	0.17	AS2307X
		35	80	33	33	26	7.5										H2307X	43	9	52	
	1 3/8	1.575	3.150	1.339	1.339	0.827	0.236	29.1	17.8	0.809	14.0	UK208	UK208L3	0.58	0.58	HE2308X	1.811	0.394	2.283	0.22	AE2308X
45	1 3/8	1.575	3.346	1.417	-	0.866	0.236	34.1	21.3	0.968	14.0	UKX08	-	0.58	-	HS2308X	1.811	0.394	2.283	0.22	AS2308X
		40	85	36	-	22	6										H2308X	46	10	58	
	1 3/4	1.575	3.543	1.378	1.378	1.102	0.315	40.7	24.0	1.09	13.2	UK308	UK308L3	0.80	0.80	HE2308X	1.811	0.394	2.283	0.22	AE2308X
50	1 7/8	1.772	3.346	1.417	1.417	0.866	0.236	34.1	21.3	0.968	14.0	UK209	UK209L3	0.65	0.65	HS2308X	1.811	0.394	2.283	0.22	AS2308X
		45	85	36	36	22	6										H2308X	46	10	58	
	1 7/8	1.772	3.543	1.417	-	0.945	0.236	35.1	23.3	1.06	14.4	UKX09	-	0.67	-	HE2309X	1.969	0.433	2.559	0.28	AE2309X
55	2	1.772	3.937	1.496	1.496	1.181	0.335	48.9	29.5	1.34	13.3	UK309	UK309L3	1.08	1.08	HS2309X	1.969	0.433	2.559	0.28	AS2309X
		45	100	38	38	30	8.5										H2309X	50	11	65	
	2	1.969	3.543	1.417	1.417	0.945	0.236	35.1	23.3	1.06	14.4	UK210	UK210L3	0.65	0.65	HE2309X	1.969	0.433	2.559	0.28	AE2309X
60	2 1/4	1.969	3.937	1.575	-	0.984	0.276	43.4	29.4	1.34	14.4	UKX10	-	0.89	-	H2309X	50	11	65	0.28	A2309X
		50	100	40	-	25	7										HE2309X	50	11	65	
	2 1/4	1.969	4.331	1.575	1.575	1.260	0.354	62.0	38.3	1.74	13.2	UK310	UK310L3	1.38	1.38	HE2310X	2.165	0.472	2.756	0.36	AE2310X
70	2 3/8	1.969	4.331	1.575	1.575	1.260	0.354	62.0	38.3	1.74	13.2	UK310	UK310L3	1.38	1.38	HE2310X	2.165	0.472	2.756	0.36	AE2310X
		50	110	40	40	32	9										H2310X	55	12	70	
	2 3/8	2.165	3.937	1.575	1.575	0.984	0.276	43.4	29.4	1.34	14.4	UK211	UK211L3	1.09	1.09	HE2310X	2.165	0.472	2.756	0.36	AE2310X
80	2 7/8	2.165	4.331	1.850	-	1.063	0.295	52.4	36.2	1.65	14.4	UKX11	-	1.15	-	HS2311X	2.323	0.472	2.953	0.42	AS2311X
		55	100	40	40	25	7										H2311X	59	12	75	
	2	2.165	4.331	1.850	-	1.063	0.295	52.4	36.2	1.65	14.4	UKX11	-	1.15	-	HS2311X	2.323	0.472	2.953	0.42	AS2311X
		55	110	47	-	27	7.5									H2311X	59	12	75		A2311X

Remarks 1. In Part No. of unit with adapters, Part No. of applicable adapters follow the Part No. shown in the dimensional tables.
(Example of Part No. : UK206 + H2306X, UK206L3 + H2306X)

- Adapter series applicable to UK200 series
UK200..... H2300X series
UK200L3 (or L2) H2300X series
- UK205 is the double-lip seal type product (L2).
- Inch bore diameter series adapters are also available (see the dimensional tables of adapters assemblies).

UK
Tapered bore (with adapter)
 d_1 (50) ~ (90) mm

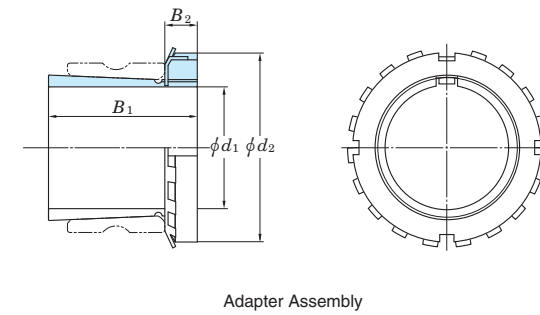
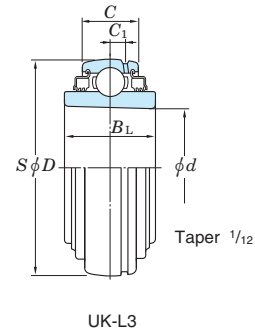
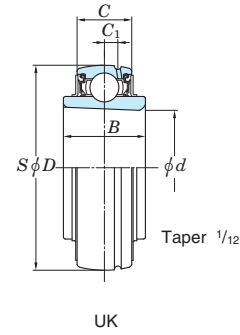


Shaft Dia. mm inch	Dimensions inch mm						Basic Load Ratings kN		Fatigue Load Limit kN	Factor f_0	Bearing No.		Mass kg	Adapter Assembly No.	H23 Series Adapter Dimensions inch mm			Mass kg	Sleeve No.
	d_1	d	D	B	B_L	C	C_1	C_r			C_{0r}	Standard			L3 Type	Standard	L3 Type		
50	1 7/8	2.165	4.724	1.693	1.693	1.339	0.394	71.6	45.0	2.05	13.2	UK311	UK311L3	HS2311X	2.323	0.472	2.953	0.42	AS2311X
	2	55	120	43	43	34	10							H2311X	59	12	75		A2311X
55	2 1/8	2.362	4.331	1.850	1.850	1.063	0.295	52.4	36.2	1.65	14.4	UK212	UK212L3	HS2312X	2.441	0.512	3.150	0.48	AS2312X
	2 1/8	60	110	47	47	27	7.5							H2312X	62	13	80		A2312X
	2 1/8	2.362	4.724	1.417	-	1.102	0.295	57.2	40.1	1.82	14.4	UKX12	-	HS2312X	2.441	0.512	3.150	0.48	AS2312X
60	2 1/4	2.362	5.118	1.850	1.850	1.417	0.453	81.9	52.2	2.37	13.2	UK312	UK312L3	HS2312X	2.441	0.512	3.150	0.48	AS2312X
	2 3/8	60	130	47	47	36	11.5							H2312X	62	13	80		A2312X
	2 1/4	2.559	4.724	1.417	1.850	1.102	0.295	57.2	40.1	1.82	14.4	UK213	UK213L3	HE2313X	2.559	0.551	3.346	0.56	AE2313X
	2 3/8	65	120	36	47	28	7.5							H2313X	65	14	85		A2313X
	2 3/8	2.559	4.921	1.575	-	1.181	0.354	62.2	44.1	2.01	14.5	UKX13	-	HS2313X	2.559	0.551	3.346	0.56	AS2313X
65	2 1/4	2.559	5.512	1.929	1.929	1.496	0.472	92.7	59.9	2.68	13.2	UK313	UK313L3	HE2313X	2.559	0.551	3.346	0.56	AE2313X
	2 3/8	65	140	49	49	38	12							H2313X	65	14	85		A2313X
	2 1/2	2.953	5.118	1.575	2.008	1.260	0.354	67.4	48.3	2.17	14.5	UK215	UK215L3	HS2315X	2.874	0.591	3.858	1.05	AE2315X
	2 1/2	75	130	40	51	32	9							H2315X	73	15	98		A2315X
70	2 1/2	2.953	5.512	1.654	-	1.299	0.354	72.7	53.0	2.30	14.6	UKX15	-	HE2315X	2.874	0.591	3.858	1.05	AE2315X
	2 1/2	75	140	42	-	33	9							H2315X	73	15	98		A2315X
	2 1/2	2.953	6.299	2.165	2.165	1.654	0.571	113	77.2	3.24	13.2	UK315	UK315L3	HE2315X	2.874	0.591	3.858	1.05	AE2315X
75	2 3/4	3.150	5.512	1.654	2.165	1.299	0.354	72.7	53.0	2.30	14.6	UK216	UK216L3	H2315X	73	15	98		A2315X
	2 3/4	80	140	42	55	33	9							H2315X	73	15	98		A2315X
	2 3/4	3.150	5.906	1.732	-	1.378	0.394	84.0	61.9	2.60	14.5	UKX16	-	HE2316X	3.071	0.669	4.134	1.3	AE2316X
80	2 3/4	3.150	6.693	2.165	2.165	1.732	0.591	123	86.7	3.53	13.3	UK316	UK316L3	H2316X	78	17	105	1.3	A2316X
	3	80	150	44	-	35	10							HE2316X	78	17	105	1.3	AE2316X
	3	3.346	5.906	1.732	2.244	1.378	0.394	84.0	61.9	2.60	14.5	UK217	UK217L3	H2316X	78	17	105	1.3	A2316X
	3	85	150	44	57	35	10							H2316X	78	17	105	1.3	A2316X
85	3	3.346	6.299	1.890	-	1.496	0.433	96.1	71.5	2.91	14.5	UKX17	-	HE2317X	3.228	0.709	4.331	1.45	AE2317X
	3	85	160	48	-	38	11							H2317X	82	18	110	1.45	A2317X
	3	3.346	7.087	2.362	2.362	1.811	0.591	133	96.8	3.82	13.3	UK317	UK317L3	HE2317X	3.228	0.709	4.331	1.45	AE2317X
90	-	3.543	6.299	1.890	2.480	1.496	0.433	96.1	71.5	2.91	14.5	UK218	UK218L3	H2317X	82	18	110	1.45	AE2317X
	-	90	160	48	63	38	11							H2317X	82	18	110	1.45	AE2317X
	-	3.543	6.693	1.969	-	1.575	0.453	109	81.9	3.23	14.4	UKX18	-	HE2318X	3.386	0.709	4.724	1.7	A2318X
90	-	90	170	50	-	40	11.5							H2318X	86	18	120	1.7	A2318X
	-	3.543	7.480	2.362	2.362	1.890	0.610	143	107	4.11	13.3	UK318	UK318L3	H2318X	3.386	0.709	4.724	1.7	A2318X
90	3 1/4	3.740	7.874	2.598	2.598	1.969	0.650	153	119	4.45	13.3	UK319	UK319L3	H2319X	3.543	0.748	4.921	1.95	A2319X
	3 1/2	95	200	66	66	50	16.5							H2319X	90	19	125	1.95	A2319X
90	3 1/2	3.937	7.480	2.126	-	1.693	0.512	133	105	3.91	14.4	UKX20	-	HE2320X	3.819	0.787	5.118	2.2	AE2320X
	100	190	54	-	43	13								H2320X	97	20	130	2.2	A2320X

Remarks 1. In Part No. of unit with adapters, Part No. of applicable adapters follow the Part No. shown in the dimensional tables.
(Example of Part No. : UK206 + H2306X, UK206L3 + H2306X)

- Adapter series applicable to UK200 series
UK200..... H2300X series
UK200L3 (or L2) H2300X series
- UK205 is the double-lip seal type product (L2).
- Inch bore diameter series adapters are also available (see the dimensional tables of adapters assemblies).

UK
Tapered bore (with adapter)
 d_1 (90) ~ 125 mm

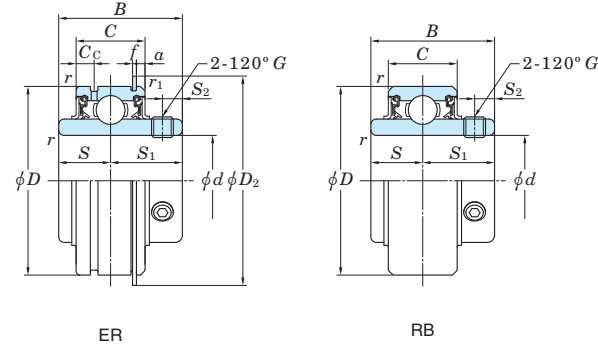


Shaft Dia. mm inch	Dimensions inch mm						Basic Load Ratings kN		Fatigue Load Limit kN	Factor f_0	Bearing No.		Mass kg	Adapter Assembly No.	H23 Series Adapter Dimensions inch mm			Mass kg	Sleeve No.	
	d_1	d	D	B	B_L	C	C_1	C_r			C_{0r}	Standard			L3 Type	Standard	L3 Type			B_1
90 3 1/2	3.937	8.465	2.677	2.677	2.126	0.709	173	141	5.08	13.2	UK320	UK320L3	8.70	8.70	HE2320X	3.819	0.787	5.118	2.2	AE2320X
	100	215	68	68	54	18									H2320X	97	20	130		
100 4	4.331	9.449	3.071	3.071	2.362	0.787	205	180	6.15	13.2	UK322	UK322L3	12.2	12.2	H2322X	4.134	0.827	5.709	2.75	A2322X
	110	240	78	78	60	20									HE2322X	105	21	145		
110 -	4.724	10.236	3.425	3.425	2.520	0.827	207	185	6.10	13.5	UK324	UK324L3	16.1	16.1	H2324	4.409	0.866	6.102	3.2	A2324
	120	260	87	87	64	21									H2324	112	22	155		
115 4 1/2	5.118	11.024	3.425	3.425	2.677	0.866	229	214	6.79	13.6	UK326	UK326L3	18.8	18.8	HE2326	4.764	0.906	6.496	4.6	AE2326
	130	280	87	87	68	22									H2326	121	23	165		
125 -	5.512	11.811	3.819	3.819	2.835	0.906	253	246	7.54	13.6	UK328	UK328L3	23.9	23.9	H2328	5.157	0.945	7.087	5.5	A2328
	140	300	97	97	72	23									H2328	131	24	180		

Remarks 1. In Part No. of unit with adapters, Part No. of applicable adapters follow the Part No. shown in the dimensional tables.
 (Example of Part No. : UK206 + H2306X, UK206L3 + H2306X)

2. Adapter series applicable to UK200 series
 UK200.....H2300X series
 UK200L3 (or L2) H2300X series
3. UK205 is the double-lip seal type product (L2).
4. Inch bore diameter series adapters are also available (see the dimensional tables of adapters assemblies).

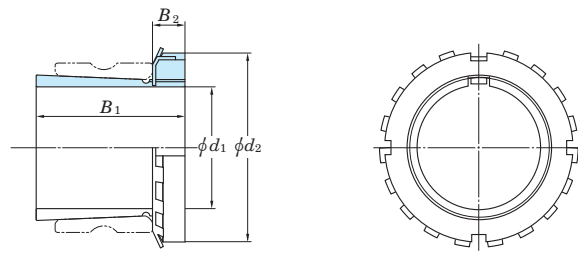
ER, RB
Cylindrical bore (with set screws),
Cylindrical outside surface
d 12 ~ 60 mm



Shaft Dia. mm inch	Dimensions						Basic Load Ratings		Fatigue Load Limit	Factor	Bearing No.		Dimensions							Set Screw Dia.		Mass	
	<i>d</i>	<i>D</i>	<i>B</i>	<i>C</i>	<i>r</i> (min.)	<i>r</i> ₁ (min.)	<i>C</i> _r	<i>C</i> _{0r}	<i>C</i> _u	<i>f</i> ₀	(ER)	(RB)	<i>S</i>	<i>S</i> ₁	<i>S</i> ₂	<i>C</i> _c	<i>a</i>	<i>f</i>	<i>D</i> ₂	mm	inch	(ER)	(RB)
12 1/2	1.850 47	1.220 31	0.630 16	0.024 0.6	0.020 0.5	12.8	6.65	0.302	13.2	ER201	RB201	0.500	0.720	0.197	0.157	0.094	0.042	2.067	M6x0.75	—	0.27	0.27	
																			—	1/4-28UNF	0.27	0.27	
																			M6x0.75	—	0.25	0.25	
15 5/8	1.850 47	1.220 31	0.630 16	0.039 1	0.020 0.5	12.8	6.65	0.302	13.2	ER202	RB202	12.7	18.3	5	4	2.38	1.07	52.5	—	1/4-28UNF	0.25	0.25	
																			—	—	0.24	0.24	
																			M6x0.75	—	0.22	0.22	
17 3/4	1.850 47	1.220 31	0.630 16	0.039 1	0.020 0.5	12.8	6.65	0.302	13.2	ER203	RB203	0.500	0.720	0.197	0.157	0.094	0.042	2.067	—	1/4-28UNF	0.22	0.22	
																			—	—	0.22	0.22	
																			M6x0.75	—	0.22	0.22	
20 3/4	1.850 47	1.220 31	0.630 16	0.039 1	0.020 0.5	12.8	6.65	0.302	13.2	ER204	RB204	0.500	0.720	0.197	0.157	0.094	0.042	2.067	—	1/4-28UNF	0.22	0.22	
																			—	—	0.22	0.22	
																			M6x0.75	—	0.22	0.22	
25 1	2.047 52	1.343 34.1	0.748 19	0.039 1	0.020 0.5	14.0	7.85	0.357	13.9	ER205	RB205	0.563	0.780	0.217	0.197	0.094	0.042	2.272	—	1/4-28UNF	0.28	0.27	
																			—	—	0.27	0.26	
																			M6x0.75	—	0.27	0.26	
30 1 1/8	2.441 62	1.500 38.1	0.866 22	0.039 1	0.020 0.5	19.5	11.3	0.514	13.9	ER206	RB206	0.626	0.874	0.236	0.217	0.125	0.065	2.657	—	1/4-28UNF	0.41	0.4	
																			—	—	0.39	0.38	
																			M6x0.75	—	0.39	0.38	
35 1 1/4	2.835 72	1.689 42.9	0.945 24	0.043 1.1	0.020 0.5	25.7	15.4	0.700	13.9	ER207	RB207	0.689	1.000	0.256	0.217	0.125	0.065	3.087	—	5/16-24UNF	0.69	0.68	
																			—	—	0.66	0.65	
																			M8x1	—	0.63	0.62	
40 1 1/2	3.150 80	1.937 49.2	1.102 28	0.043 1.1	0.020 0.5	29.1	17.8	0.809	14.0	ER208	RB208	0.748	1.189	0.315	0.236	0.125	0.065	3.402	—	5/16-24UNF	0.85	0.84	
																			—	—	0.82	0.81	
																			M8x1	—	0.81	0.78	
45 1 5/8	3.346 85	1.937 49.2	1.102 28	0.043 1.1	0.020 0.5	34.1	21.3	0.968	14.0	ER209	—	0.748	1.189	0.315	0.236	0.125	0.065	3.598	—	5/16-24UNF	1.0	—	
																			—	—	0.96	—	
																			M8x1	—	0.92	—	
50 2	3.543 90	2.031 51.6	1.102 28	0.043 1.1	0.020 0.5	35.1	23.3	1.06	14.4	ER210	—	0.748	1.283	0.354	0.295	0.125	0.095	3.791	—	3/8-24UNF	1.05	—	
																			—	—	1.0	—	
																			M10x1.25	—	0.98	—	
55 2 1/8	3.937 100	2.189 55.6	1.181 30	0.059 1.5	0.020 0.5	43.4	29.4	1.34	14.4	ER211	—	0.874	1.315	0.354	0.295	0.125	0.095	4.185	—	3/8-24UNF	1.56	—	
																			—	—	1.45	—	
																			M10x1.25	—	1.41	—	
60 2 3/8	4.331 110	2.563 65.1	1.260 32	0.059 1.5	0.020 0.5	52.4	36.2	1.65	14.4	ER212	—	1.000	1.563	0.413	0.295	0.125	0.095	4.583	—	3/8-24UNF	2.02	—	
																			—	—	1.89	—	
																			M10x1.25	—	1.87	—	

H2300X

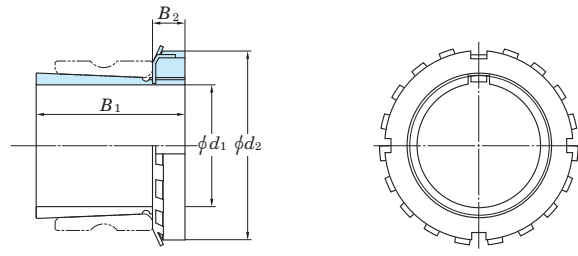
d_1 20 ~ 110 mm



mm	Shaft Dia. d_1				Dimensions			Adapter Assembly No.				Sleeve No.				Lock Nut No.	Washer No.	Mass							
	(H)	(HE)	(HS)	(HA)	B_1	B_2	d_2	(H)	(HE)	(HS)	(HA)	(H)	(HE)	(HS)	(HA)			(H)	(HE)	(HS)	(HA)				
20	—	—	—	—	1.378	0.315	1.496	H2305X	—	—	—	—	A2305X	—	—	—	AN05	AW05X	0.095	—	—	—			
	—	3/4	—	—	35	8	38	—	HE2305X	—	—	—	—	—	AE2305X	—	—	AN05	AW05X	—	0.085	—	—		
25	—	—	—	—	1.496	0.315	1.772	H2306X	—	—	—	—	A2306X	—	—	—	AN06	AW06X	0.13	—	—	—			
	1	—	—	—	38	8	45	—	HE2306X	—	—	—	—	—	AE2306X	—	—	AN06	AW06X	—	0.12	—	—		
	—	—	7/8	—	—	—	—	—	—	HS2306X	—	—	—	—	—	AS2306X	—	—	—	—	—	0.16	—		
	—	—	—	15/16	—	—	—	—	—	—	—	HA2306X	—	—	—	—	—	—	—	—	—	—	—	0.14	
30	—	—	—	—	1.693	0.354	2.047	H2307X	—	—	—	—	A2307X	—	—	—	AN07	AW07X	0.17	—	—	—	—		
	—	—	—	1 3/16	43	9	52	—	—	—	HA2307X	—	—	—	—	—	—	—	—	—	—	—	—	0.17	
35	—	—	—	—	1.811	0.394	2.283	H2308X	—	—	—	—	A2308X	—	—	—	AN08	AW08X	0.22	—	—	—	—		
	1 1/4	—	—	—	46	10	58	—	HE2308X	—	—	—	—	—	AE2308X	—	—	AN08	AW08X	—	0.28	—	—	—	
40	—	—	—	—	1.969	0.433	2.559	H2309X	—	—	—	—	A2309X	—	—	—	AN09	AW09X	0.28	—	—	—	—		
	1 1/2	—	—	—	50	11	65	—	HE2309X	—	—	—	—	—	AE2309X	—	—	AN09	AW09X	—	0.32	—	—	—	
	—	—	—	1 7/16	—	—	—	—	—	—	HA2309X	—	—	—	—	—	—	—	—	—	—	—	—	0.35	
45	—	—	—	—	2.165	0.472	2.756	H2310X	—	—	—	—	A2310X	—	—	—	AN10	AW10X	0.36	—	—	—	—		
	1 3/4	—	—	—	55	12	70	—	HE2310X	—	—	—	—	—	AE2310X	—	—	AN10	AW10X	—	0.37	—	—	—	
	—	—	1 5/8	—	—	—	—	—	—	HS2310X	—	—	—	—	—	AS2310X	—	—	—	—	—	—	0.46	—	
	—	—	—	1 11/16	—	—	—	—	—	—	HA2310X	—	—	—	—	—	—	—	—	—	—	—	—	0.42	
50	—	—	—	—	2.323	0.472	2.953	H2311X	—	—	—	—	A2311X	—	—	—	AN11	AW11X	0.42	—	—	—	—		
	2	—	—	—	59	12	75	—	HE2311X	—	—	—	—	—	AE2311X	—	—	AN11	AW11X	—	0.40	—	—	—	
	—	—	1 7/8	—	—	—	—	—	—	HS2311X	—	—	—	—	—	AS2311X	—	—	AN11	AW11X	—	—	0.50	—	
	—	—	—	1 15/16	—	—	—	—	—	—	HA2311X	—	—	—	—	—	—	—	—	—	—	—	—	0.45	
55	—	—	—	—	2.441	0.512	3.150	H2312X	—	—	—	—	A2312X	—	—	—	AN12	AW12X	0.48	—	—	—	—		
	—	—	2 1/8	—	62	13	80	—	—	HS2312X	—	—	—	—	—	AS2312X	—	—	AN12	AW12X	—	—	0.52	—	
60	—	—	—	—	2.559	0.551	3.346	H2313X	—	—	—	—	A2313X	—	—	—	AN13	AW13X	0.56	—	—	—	—		
	2 1/4	—	—	—	65	14	85	—	HE2313X	—	—	—	—	—	AE2313X	—	—	AN13	AW13X	—	0.69	—	—	—	
	—	—	2 3/8	—	—	—	—	—	—	HS2313X	—	—	—	—	—	AS2313X	—	—	AN13	AW13X	—	—	0.55	—	
	—	—	—	2 3/16	—	—	—	—	—	—	HA2313X	—	—	—	—	—	—	—	—	—	—	—	—	0.76	
65	—	—	—	—	2.874	0.591	3.858	H2315X	—	—	—	—	A2315X	—	—	—	AN15	AW15X	1.05	—	—	—	—		
	2 1/2	—	—	—	73	15	98	—	HE2315X	—	—	—	—	—	AE2315X	—	—	AN15	AW15X	—	1.15	—	—	—	
	—	—	2 7/16	—	—	—	—	—	—	—	HA2315X	—	—	—	—	—	—	—	—	—	—	—	—	1.15	
70	—	—	—	—	3.071	0.669	4.134	H2316X	—	—	—	—	A2316X	—	—	—	AN16	AW16X	1.3	—	—	—	—		
	2 3/4	—	—	—	78	17	105	—	HE2316X	—	—	—	—	—	AE2316X	—	—	AN16	AW16X	—	1.3	—	—	—	
75	—	—	—	—	3.228	0.709	4.331	H2317X	—	—	—	—	A2317X	—	—	—	AN17	AW17X	1.45	—	—	—	—		
	—	—	—	—	82	18	110	—	—	—	—	—	—	—	—	—	AN17	AW17X	—	—	1.35	—	—	—	
	—	—	—	2 11/16	—	—	—	—	—	—	—	—	—	—	—	—	—	—	—	—	—	—	—	—	1.48
	—	—	—	—	—	—	—	—	—	—	HA2317X	—	—	—	—	—	—	—	—	—	—	—	—	—	
80	—	—	—	—	3.386	0.709	4.724	H2318X	—	—	—	—	A2318X	—	—	—	AN18	AW18X	1.7	—	—	—	—		
	3 1/4	—	—	—	86	18	120	—	HE2318X	—	—	—	—	—	AE2318X	—	—	—	—	—	1.49	—	—	—	
	—	—	—	3 3/16	—	—	—	—	—	—	HA2318X	—	—	—	—	—	—	—	—	—	—	—	—	—	1.62
85	—	—	—	—	3.543	0.748	4.921	H2319X	—	—	—	—	A2319X	—	—	—	AN19	AW19X	1.95	—	—	—	—		
	3 1/4	—	—	—	90	19	125	—	HE2319X	—	—	—	—	—	AE2319X	—	—	AN19	AW19X	—	2.15	—	—	—	
90	—	—	—	—	3.819	0.787	5.118	H2320X	—	—	—	—	A2320X	—	—	—	AN20	AW20X	2.2	—	—	—	—		
	3 1/2	—	—	—	97	20	130	—	HE2320X	—	—	—	—	—	AE2320X	—	—	AN20	AW20X	—	2.3	—	—	—	
	—	—	—	3 7/16	—	—	—	—	—	—	HA2320X	—	—	—	—	—	—	—	—	—	—	—	—	—	2.47
100	—	—	—	—	4.134	0.827	5.709	H2322X	—	—	—	—	A2322X	—	—	—	AN22	AW22X	2.75	—	—	—	—		
	4	—	—	—	105	21	145	—	HE2322X	—	—	—	—	—	AE2322X	—	—	AN22	AW22X	—	2.55	—	—	—	
110	—	—	—	—	4.409	0.866	6.102	H2324	—	—	—	—	A2324	—	—	—	AN24	AW24	3.2	—	—	—	—		
	4 1/4	—	—	—	112	22	155	—	HE2324	—	—	—	—	—	AE2324	—	—	—	—	—	3.5	—	—	—	
	—	—	—	4 3/16	—	—	—	—	—	—	HA2324	—	—	—	—	—	—	—	—	—	—	—	—	—	3.79

H2300X

d_1 115 ~ 125 mm



mm	Shaft Dia. d_1				Dimensions			Adapter Assembly No.				Sleeve No.				Lock Nut No.	Washer No.	Mass				
	(H)	(HE)	(HS)	(HA)	B_1	B_2	d_2	(H)	(HE)	(HS)	(HA)	(H)	(HE)	(HS)	(HA)			(H)	(HE)	(HS)	(HA)	
115	-	-	-	-	4.764	0.906	6.496	H2326	-	-	-	-	A2326	-	-	-	AN26	AW26	4.6	-	-	-
	4 1/2	-	-	-	121	23	165	-	HE2326	-	-	-	-	AE2326	-	-	AN26	AW26	-	4.7	-	-
	-	-	-	4 7/16	-	-	-	-	-	-	-	HA2326	-	-	-	AA2326	-	-	-	-	-	-
125	-	-	-	-	5.157	0.945	7.087	H2328	-	-	-	-	A2328	-	-	-	AN28	AW28	5.5	-	-	-
	5	-	-	-	131	24	180	-	HE2328	-	-	-	-	AE2328	-	-	-	-	-	5.1	-	-
	-	-	-	4 15/16	-	-	-	-	-	-	HA2328	-	-	-	AA2328	-	-	-	-	-	-	-

16 Parts and accessories

16.1 Part No. of pressed steel covers

Table 16.1 Part No. of pressed steel covers for UC type bearings

Bearing No.	Shaft dia. (mm)	Pressed steel cover No.	
		Open ends type	Closed end type
UC201	12	C- 4×12	D- 4
UC202	15	C- 4×15	D- 4
UC203	17	C- 4×17	D- 4
UC204	20	C- 4×20	D- 4
UC205	25	C- 5×25	D- 5
UC206	30	C- 6×30	D- 6
UC207	35	C- 7×35	D- 7
UC208	40	C- 8×40	D- 8
UC209	45	C- 9×45	D- 9
UC210	50	C-10×50	D-10
UC211	55	C-11×55	D-11
UC212	60	C-12×60	D-12
UC213	65	C-13×65	D-13
UC214	70	C-14×70	D-14
UC215	75	C-15×75	D-15
UC216	80	C-16×80	D-16
UC217	85	C-17×85	D-17
UC218	90	C-18×90	D-18
UCX05	25	C- 6×25	D- 6
UCX06	30	C- 7×30	D- 7
UCX07	35	C- 8×35	D- 8
UCX08	40	C- 9×40	D- 9
UCX09	45	C-10×45	D-10
UCX10	50	C-11×50	D-11
UCX11	55	C-12×55	D-12
UCX12	60	C-13×60	D-13
UCX13	65	C-14×65	D-14
UCX14	70	C-15×70	D-15
UCX15	75	C-16×75	D-16
UCX16	80	C-17×80	D-17
UCX17	85	C-18×85	D-18

Table 16.2 Part No. of pressed steel covers for UK type bearings

Bearing No.	Shaft dia. (mm)	Pressed steel cover No.	
		Open ends type	Closed end type
-			
-			
-			
-			
UK205	20	C- 5×20	D- 5
UK206	25	C- 6×25	D- 6
UK207	30	C- 7×30	D- 7
UK208	35	C- 8×35	D- 8
UK209	40	C- 9×40	D- 9
UK210	45	C-10×45	D-10
UK211	50	C-11×50	D-11
UK212	55	C-12×55	D-12
UK213	60	C-13×60	D-13
-			
UK215	65	C-15×65	D-15
UK216	70	C-16×70	D-16
UK217	75	C-17×75	D-17
UK218	80	C-18×80	D-18
UKX05	20	C- 6×20	D- 6
UKX06	25	C- 7×25	D- 7
UKX07	30	C- 8×30	D- 8
UKX08	35	C- 9×35	D- 9
UKX09	40	C-10×40	D-10
UKX10	45	C-11×45	D-11
UKX11	50	C-12×50	D-12
UKX12	55	C-13×55	D-13
UKX13	60	C-14×60	D-14
-			
UKX15	65	C-16×65	D-16
UKX16	70	C-17×70	D-17
UKX17	75	C-18×75	D-18

Remark In the Part No. of the pressed steel covers for shouldered shaft, shaft diameter follows the basic code of the cover. For example, Part No. of the cover for a shaft with 30 mm diameter for UC206 is C-6×30.

16.2 Part No. of cast iron covers

Table 16.3 Part No. of cast iron covers for UC type bearings

Bearing No.	Shaft dia. (mm)	Cast iron cover No.		Mounting bolt (reference)
		Open ends type	Closed end type	
UC204	20	204FC×20 (204FC3×20) ¹⁾	204FD (204FD3) ¹⁾	M3 (M4)
UC205	25	205FC×25 (205FC3×25) ¹⁾	205FD (205FD3) ¹⁾	M3 (M4)
UC206	30	206FC×30	206FD	M4
UC207	35	207FC×35	207FD	M4
UC208	40	208FC×40	208FD	
UC209	45	209FC×45	209FD	
UC210	50	210FC×50	210FD	M4
UC211	55	211FC×55	211FD	
UC212	60	212FC×60	212FD	
UC213	65	213FC×65	213FD	M4
UC214	70	214FC×70	214FD	
UC215	75	215FC×75	215FD	
UC216	80	216FC×80	216FD	M5
UC217	85	217FC×85	217FD	
UC218	90	218FC×90	218FD	
UCX18	90	X18C×90 (X18C3×90) ²⁾	X18D (X18D3) ²⁾	M5
UCX20	100	X20C×100 (X20C3×100) ²⁾	X20D (X20D3) ²⁾	
UC305	25	305C×25	305D	M4
UC306	30	306C×30	306D	
UC307	35	307C×35	307D	
UC308	40	308C×40	308D	M5
UC309	45	309C×45	309D	
UC310	50	310C×50	310D	
UC311	55	311C×55	311D	M5
UC312	60	312C×60	312D	
UC313	65	313C×65	313D	
UC314	70	314C×70	314D	M5
UC315	75	315C×75	315D	
UC316	80	316C×80	316D	
UC317	85	317C×85	317D	M5
UC318	90	318C×90	318D	
UC319	95	319C×95	319D	
UC320	100	320C×100	320D	M5
UC321	105	321C×105	321D	
UC322	110	322C×110	322D	
UC324	120	324C×120	324D	M5
UC326	130	326C×130	326D	M8
UC328	140	328C×140	328D	

Table 16.4 Part No. of cast iron covers for UK type bearings

Bearing No.	Shaft dia. (mm)	Cast iron cover No.		Mounting bolt (reference)
		Open ends type	Closed end type	
–				
UK205	20	205FC×20 (205FC3×20) ¹⁾	205FD (205FD3) ¹⁾	M3 (M4)
UK206	25	206FC×25	206FD	M4
UK207	30	207FC×30	207FD	M4
UK208	35	208FC×35	208FD	
UK209	40	209FC×40	209FD	
UK210	45	210FC×45	210FD	M4
UK211	50	211FC×50	211FD	
UK212	55	212FC×55	212FD	
UK213	60	213FC×60	213FD	M4
–				
UK215	65	215FC×65	215FD	
UK216	70	216FC×70	216FD	M5
UK217	75	217FC×75	217FD	
UK218	80	218FC×80	218FD	
UKX18	80	X18C×80 (X18C3×80) ²⁾	X18D (X18D3) ²⁾	M5
UKX20	90	X20C×90 (X20C3×90) ²⁾	X20D (X20D3) ²⁾	
UK305	20	305C×20	305D	M4
UK306	25	306C×25	306D	
UK307	30	307C×30	307D	
UK308	35	308C×35	308D	M5
UK309	40	309C×40	309D	
UK310	45	310C×45	310D	
UK311	50	311C×50	311D	M5
UK312	55	312C×55	312D	
UK313	60	313C×60	313D	
–				
UK315	65	315C×65	315D	M5
UK316	70	316C×70	316D	
UK317	75	317C×75	317D	M5
UK318	80	318C×80	318D	
UK319	85	319C×85	319D	
UK320	90	320C×90	320D	M5
–				
UK322	100	322C×100	322D	
UK324	110	324C×110	324D	M5
UK326	115	326C×115	326D	M8
UK328	125	328C×125	328D	

Note 1) Items in parentheses are applicable to the pillow block type (P), square-flanged type (F), rhombic-flanged type (FL), and the take-up type (T) bearings, and can be mounted to housings with three hexagon socket head cap screws (use four to mount other items).

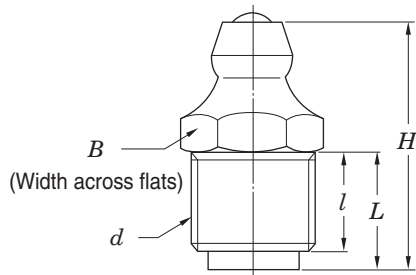
2) Items in parentheses are applicable to the round-flanged type with joint (FC), and can be mounted to housings with three hexagon socket head cap screws (use four to mount other items).

Remark In the nominal No. of the cast iron covers for shouldered shaft, shaft diameter follows the basic code of the cover. For example, Part No. of the covers for a shaft with 60 mm diameter for UC210 is 210FC×60.

16.3 Nominal number and dimensions of grease nipples and reducing socket

Table 16.5 Nominal number and dimensions of grease nipple

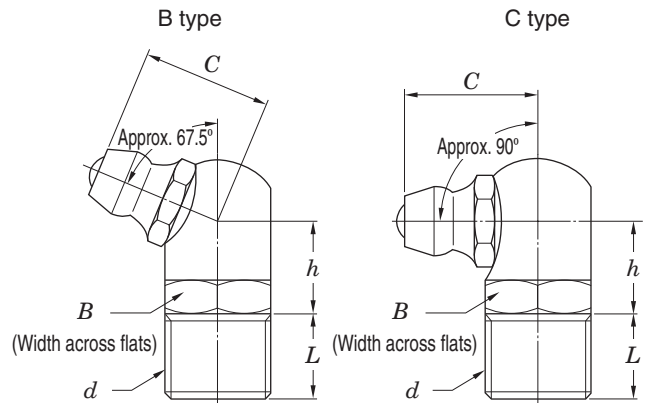
(1) Nominal number and dimensions of A type grease nipple



Unit : mm

Nominal grease nipple No.	Nominal screw code <i>d</i>	<i>B</i>	<i>H</i>	<i>L</i>	<i>l</i>
A-1/4-28UNF	1/4-28UNF	7	13.5	5.4	4
A-PT1/8	PT1/8	10	20	9.5	8

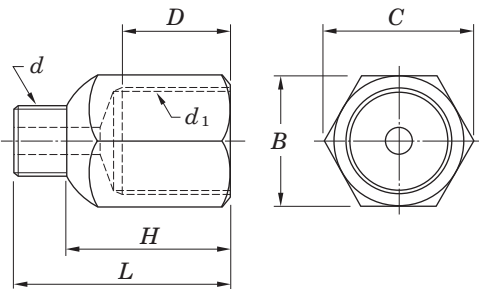
(2) Nominal number and dimensions of B and C type grease nipples



Unit : mm

Nominal grease nipple No.	Nominal screw code <i>d</i>	Type	<i>B</i>	<i>C</i>	<i>h</i>	<i>L</i>
B-1/4-28UNF	1/4-28UNF	B	8	9.5	6.5	5
C-1/4-28UNF		C				
B-PT1/8	PT1/8	B	10	12.5	8.5	8
C-PT1/8		C				

Table 16.6 Nominal number and dimensions of reducing socket code



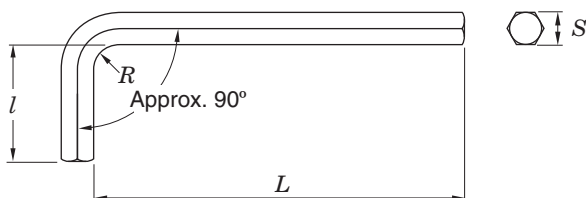
Unit : mm

Nominal No. of reducing socket	Nominal male thread code <i>d</i>	Nominal female thread code <i>d</i> ₁	<i>B</i>	<i>C</i>	<i>D</i>	<i>H</i>	<i>L</i>
1/4-28UNF-PT1/8	1/4-28UNF	PT1/8	12	13.8	10	15	20
1/4-28UNF-PF1/8		PF1/8					
1/4-28UNF-PT1/4	1/4-28UNF	PT1/4	17	19.6	11	17	22
1/4-28UNF-PF1/4		PF1/4					
PT1/8-PT1/4	PT1/8	PT1/4	17	19.6	11	19	26
PT1/8-PF1/4		PF1/4					

16.4 Nominal number and dimensions of Allen key wrench

Table 16.7 Nominal number and dimensions of Allen key wrench

Unit : mm



Nominal No. of Allen key wrench	<i>S</i>	<i>L</i> (Approx.)	<i>l</i> (Approx.)	<i>R</i> (Approx.)	Applicable set screw
2.5	2.5	56	18	2.5	M5
3	3	63	20	3	M6
4	4	70	25	4	M8
5	5	80	28	5	M10
6	6	90	32	6	M12, M14
8	8	100	36	8	M16, M18
10	10	112	40	10	M20

17 Example of application

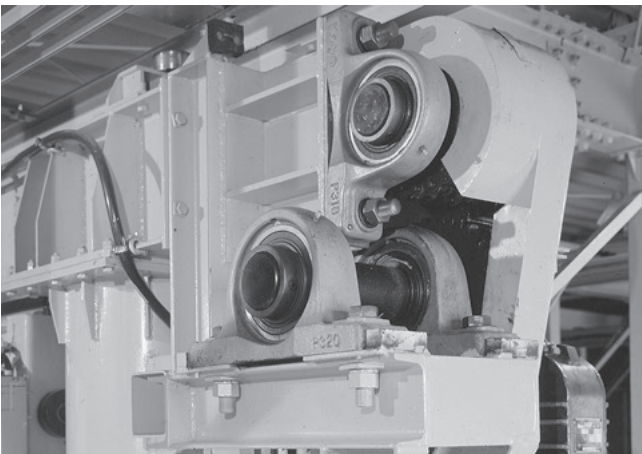
Koyo Ball Bearing units are used in varied equipment, and their performance contributes to technical advantages, automation, and energy-saving of equipment.

Automatic warehouse system

Many ball bearings are used in automatic warehouse systems for automation and energy-saving of the systems.



Automatic warehouse system



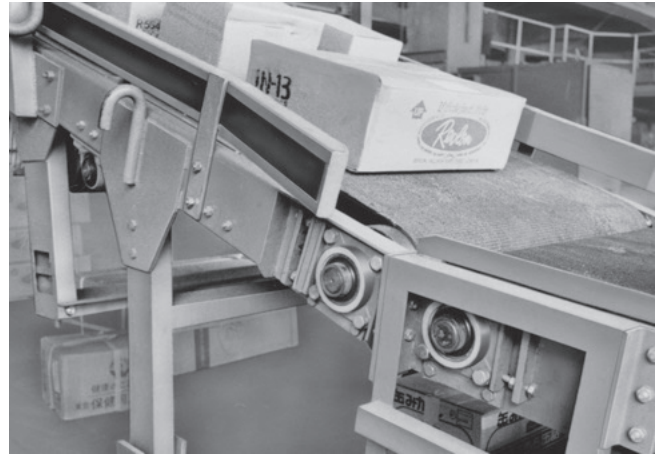
Mast driving system



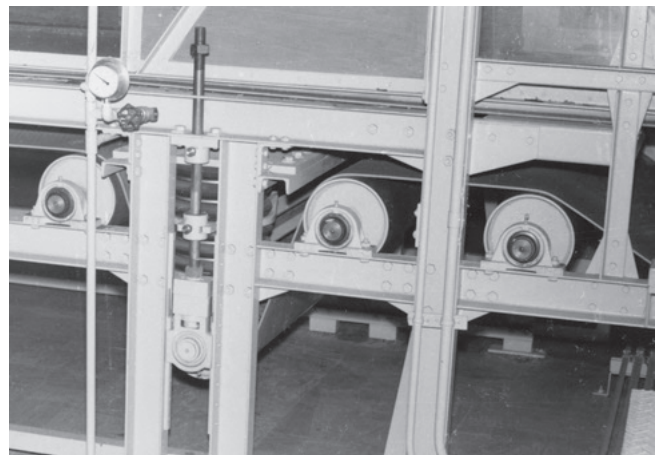
Conveyor

Delivery center

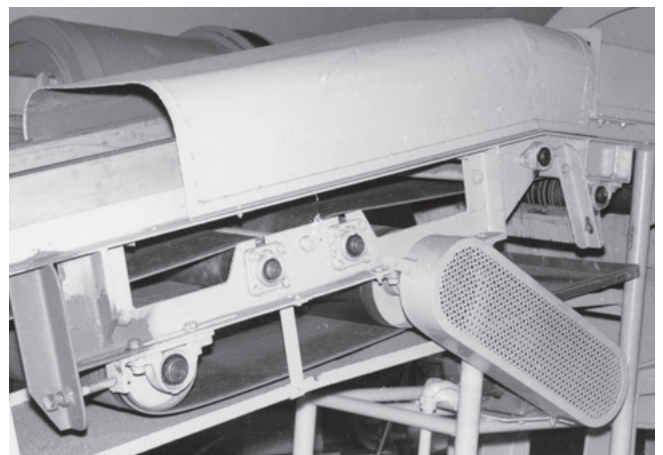
Koyo Ball bearings of various types including pillow block type, flange type, take-up type are used in conveyors of delivery centers.



Belt conveyor



Belt conveyor driving system



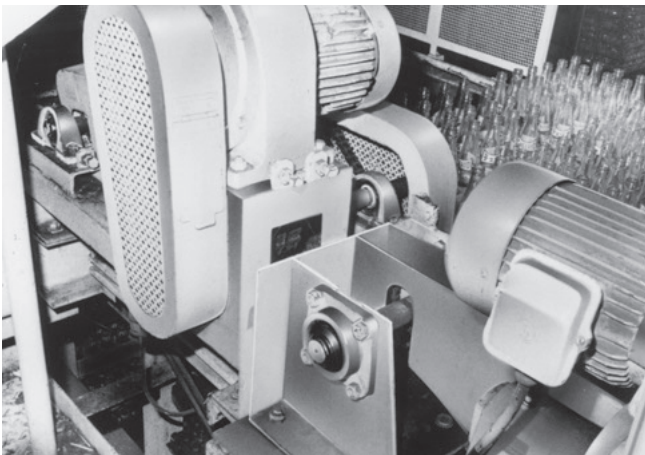
Belt conveyor driving system

Soft drink plant

Since soft drink manufacturing facilities are frequently cleaned for hygiene control, covered unit, "compact" series unit, and stainless-series unit are suitable for them.



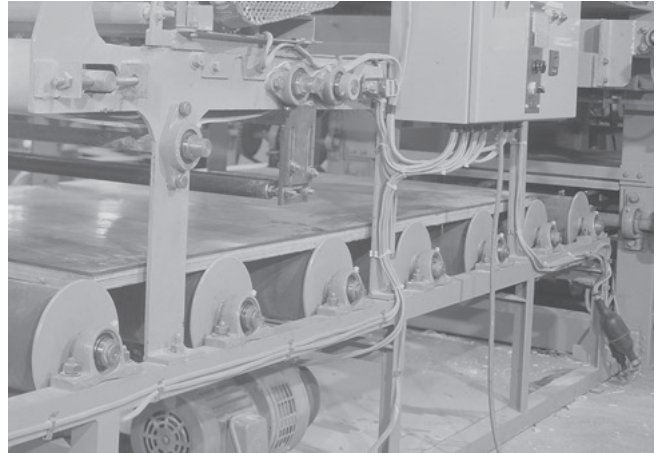
Bottle filling line conveyor



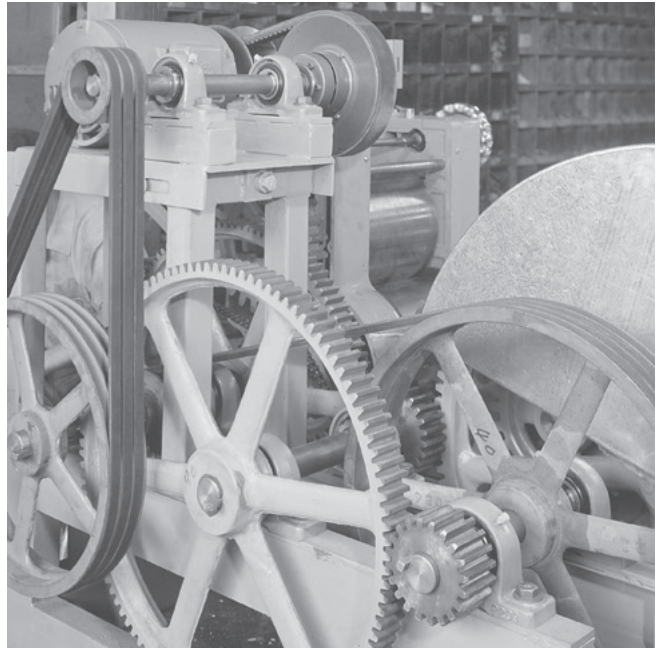
Pallet driving system

Noodle manufacturing plant

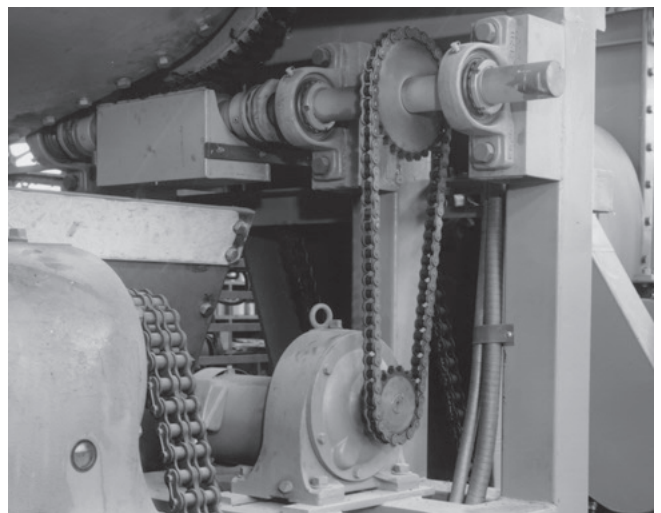
Triple-lip seal units or covered units are suitable for locations dusted with a great deal of noodle flour.



Feeding system



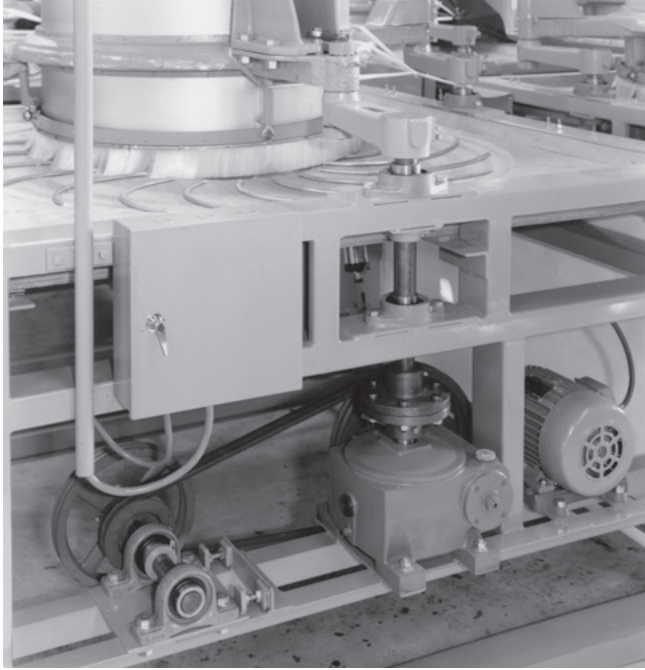
Noodle manufacturing machine driving system



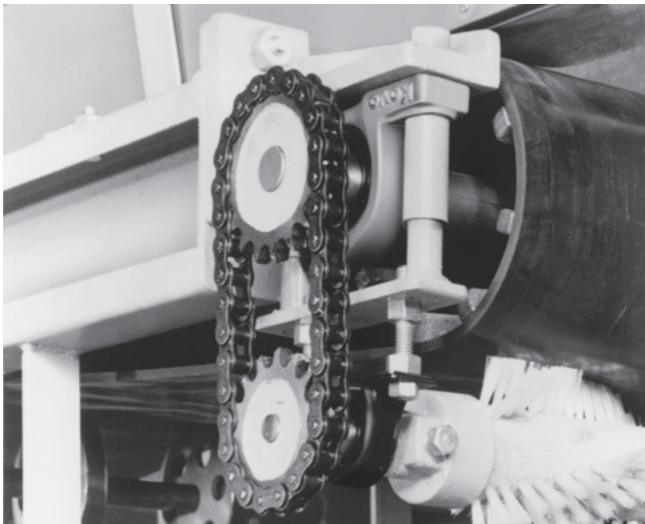
Mixer driving system

Tea manufacturing plant

Koyo Ball Bearings contribute to the automation of tea manufacturing lines and downsizing of tea manufacturing machines.



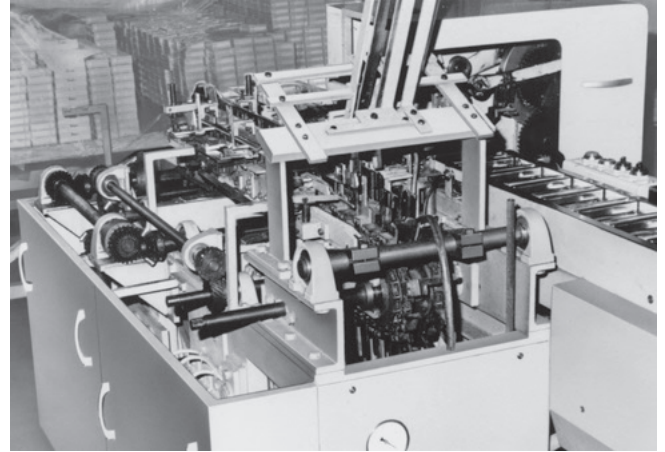
Tea processor driving system



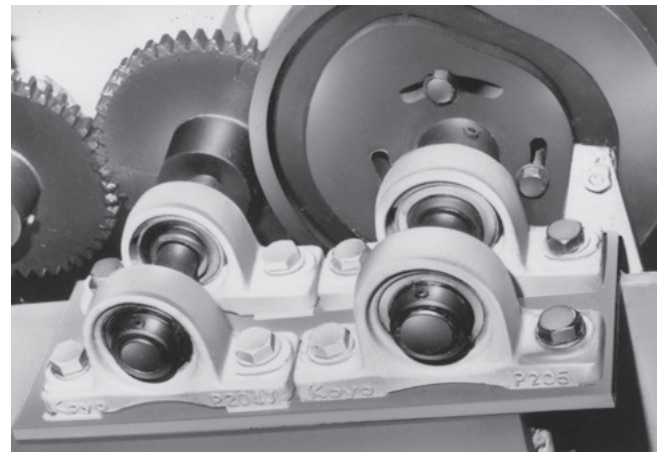
Conveyor driving system

Packing machine

Koyo Ball Bearings, used in transmission units, cam shafts, and conveyors, contribute to high-efficiency and automation of packing lines.



Packing machine

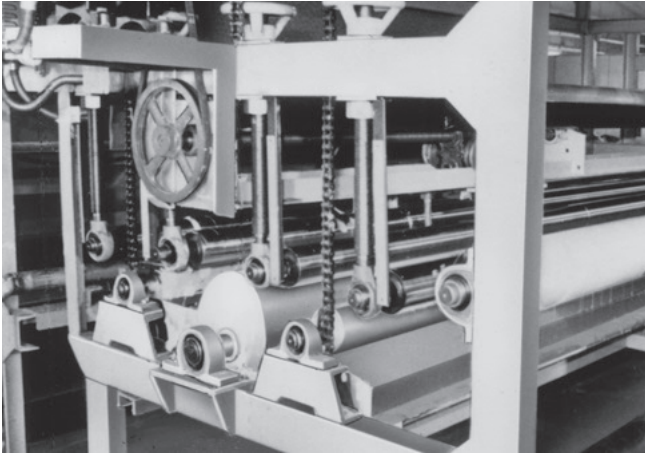


Cam shaft

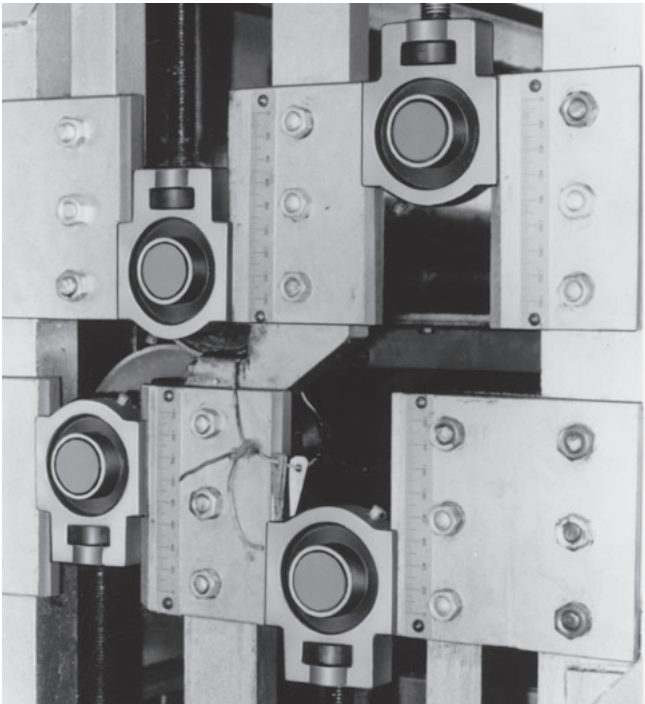
17 Example of application

Textile machine

Take-up units are suitable for locations where adjustment of distance between shaft axes is required, while hanger units are suitable for locations where the shaft must be hung because of the structure of the machine.



Carpet pasting system



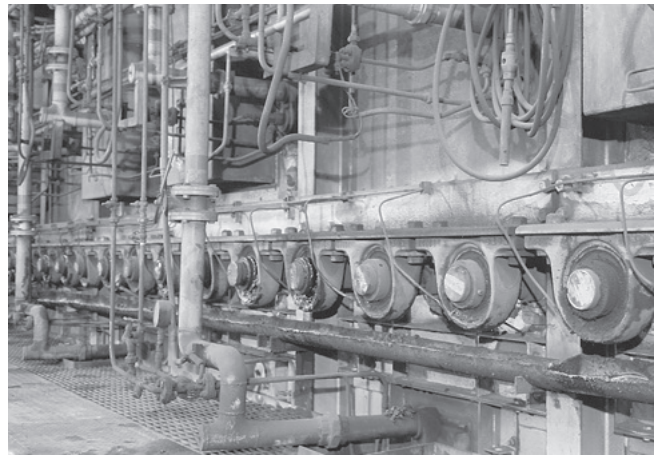
Carpet feeding shaft

Heat treatment system

The heat resistant unit is used for applications at a high temperature.



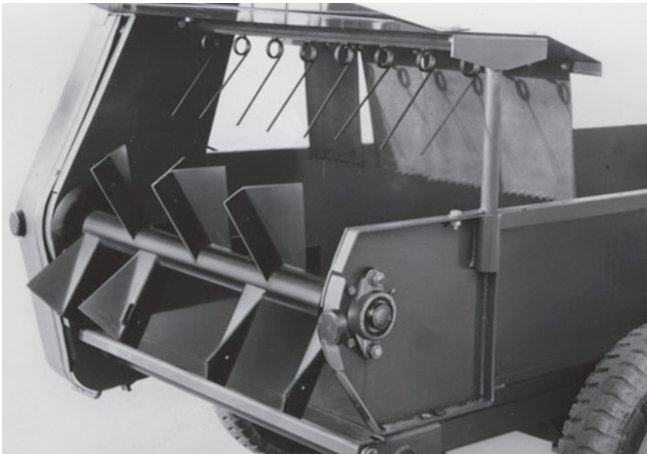
Carburizing furnace



Heat treatment furnace

Agricultural machine

Koyo Ball Bearings contribute to downsizing and high-performance of agricultural machines. Triple-lip seal units or covered units are suitable for locations where are subject to a great deal of mud water and dusts.



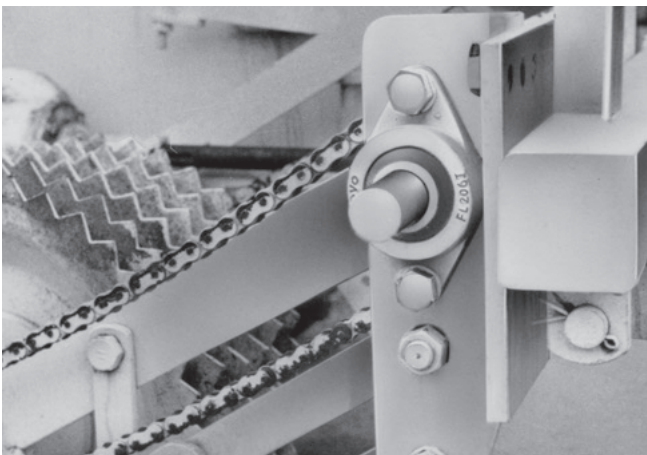
Small wagon

Construction machinery

Koyo Ball Bearings contribute to high-performance and longer service life of construction machinery used under severe environment.



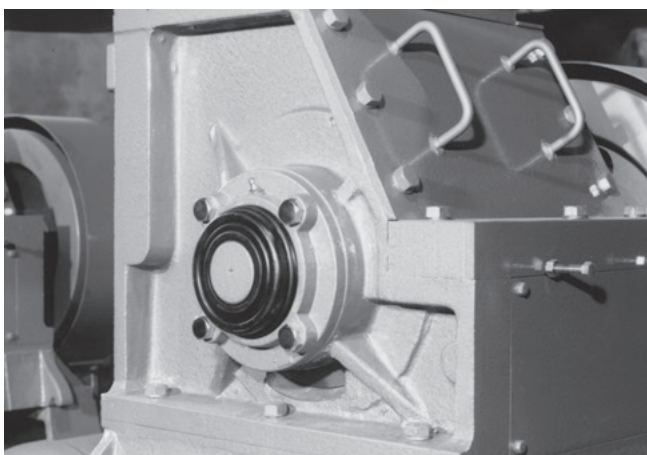
Concrete mixer



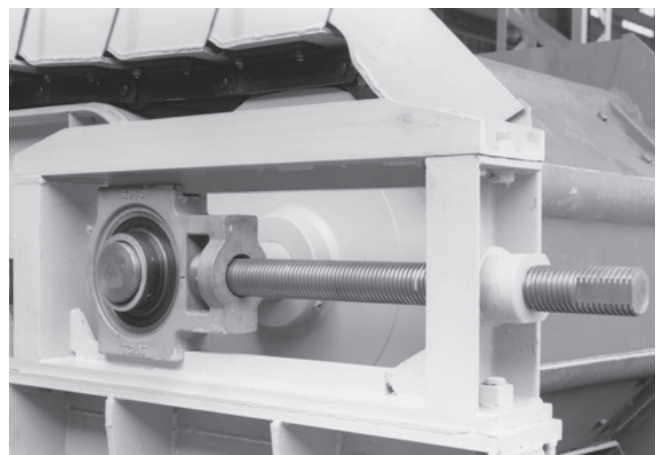
Beat harvester power transmission system



Conveyor



Grain mill

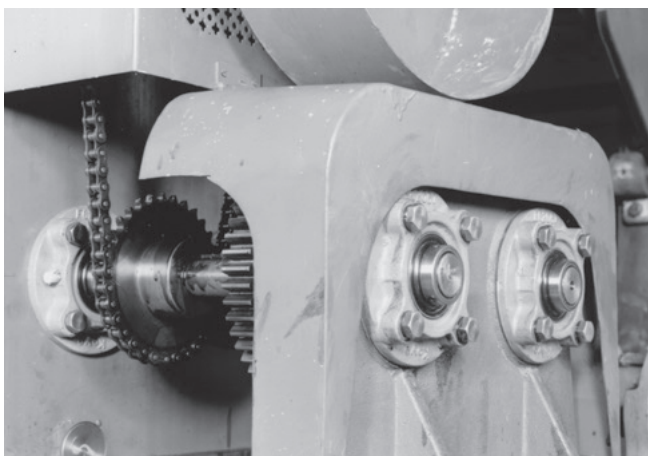


Conveyor

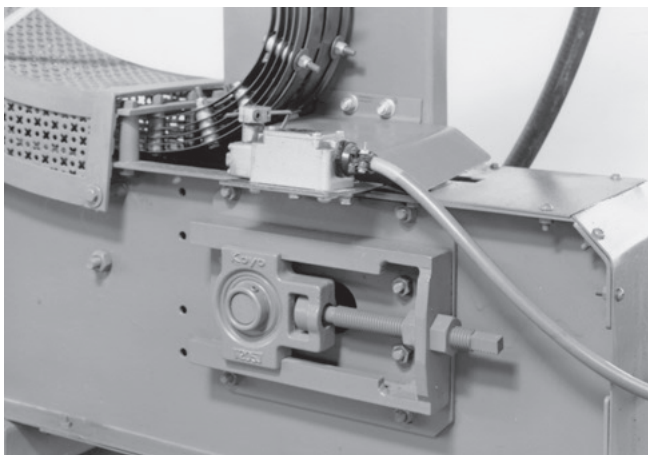
17 Example of application

Other applications

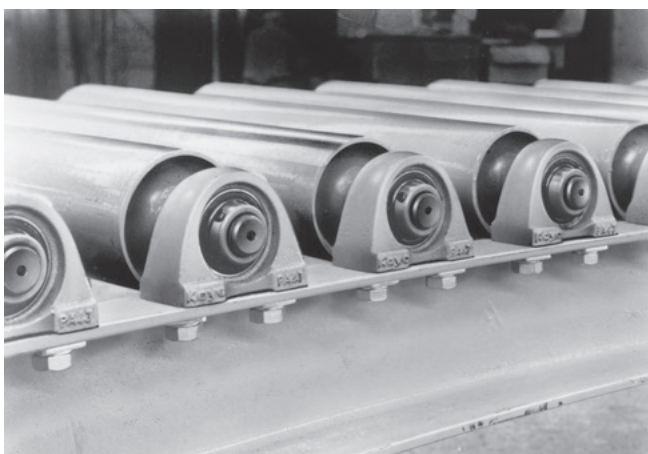
Ball Bearings of various types appropriate for applications and specifications are used.



(Round-flanged type with spigot joint)



(Take-up type unit)











(Pillow block type unit)

Supplementary table (contents)

1	Simplified chart of ball bearing unit combinations	246
2	Tightening torques of mounting bolts for housing and cast iron cover	248
3	Tightening torques of set screws for inner ring and eccentric locking collar	249
4	Tightening torques of adapter lock nuts (reference)	249
5	Machining dimensions of holes for housing dowel pins	250
6	Shaft tolerances (deviation from nominal dimensions)	252
7	Housing bore tolerances (deviation from nominal dimensions)	254
8	SI units and conversion factors	256
9	Inch/millimeter conversion	260
10	Mechanical properties of metal materials (reference)	261
11	Hexagon socket head cap screws (abstract from JIS B 1176)	262
12	Hexagon head bolts (abstract from JIS B 1180)	264
13	Hexagon head nuts (abstract from JIS B 1181)	266
14	Steel hardness conversion	267
15	Viscosity conversion	268

Supplementary table 1 Simplified chart of ball bearing unit combinations

Type	Housing for units	Ball bearing for units							
		Cylindrical bore (with set screws)				Tapered bore (with adapter)			
		UC200	UCX00	UC300	Stainless steel UC200S6	UK200	UKX00	UK300	
Pillow block type 	P200, PX00, P300 PK200	UCP200	UCPX00	UCP300		UKP200	UKPX00	UKP300	
	IP200, IP300 PA200, SPA200H1	UCIP200 UCPA200		UCIP300	UCSPA200H1S6	UKIP200		UKIP300	
	PH200 LP200	UCPH200							
	P000, SP000 SP200H1 PP200				UCSP200H1S6				
Square-flanged type 	F200, FX00, F300 F200E, FX00E SF200H1 NF200 FS300	UCF200 UCF200E	UCFX00 UCFX00E	UCF300	UCSF200H1S6	UKF200	UKFX00	UKF300	
				UCFS300				UKFS300	
Rhombic-flanged type 	FL200, FLX00, FL300 FL200E FA200	UCFL200 UCFL200E UCFA200	UCFLX00	UCFL300		UKFL200	UKFLX00	UKFL300	
	FB200 LF200	UCFB200							
	FL000, SFL000 NFL200 SFL200H1				UCSFL200H1S6				
Round-flanged type with spigot joint 	FC200, FCX00, FCX00E	UCFC200	UCFCX00 UCFCX00E			UKFC200	UKFCX00		
Pressed steel flange type 	PF200 PFL200								
Take-up type 	T200, TX00, T300 T200E, TX00E ST200H1 T200+H	UCT200 UCT200E	UCTX00 UCTX200E	UCT300	UCST200H1S6	UKT200	UKTX00	UKT300	
	TL200 TU200, TU300	UCTL200 UCTU200		UCTU300		(UKTL200) (UKTU200)		(UKTU300)	
	PTH200 NPTH200								
Cartridge type 	C200, CX00, C300	UCC200	UCCX00	UCC300		UKC200	UKCX00	UKC300	
Hanger type 	HA200	UCHA200							

Ball bearing for units					Housing for units	Type
Cylindrical bore (with set screws)		Cylindrical bore (with eccentric locking collar)				
"Compact" series SU000	Stainless steel SU000S6	SB200	SA200	NA200		
				NAP200 NAPK200	P200, PX00, P300 PK200	Pillow block type
					IP200, IP300 PA200, SPA200H1	
		BLP200	ALP200		PH200 LP200	
UP000	USP000S6	SBPP200	SAPP200		P000, SP000 SP200H1 PP200	
					F200, FX00, F300 F200E, FX00E SF200H1 NF200 FS300	Square-flanged type
					FL200, FLX00, FL300 FL200E FA200	Rhombic-flanged type
		BLF200	ALF200		FB200 LF200	
UFL000	USFL000S6				FL000, SFL000 NFL200 SFL200H1	
						Round-flanged type with spigot joint
						Pressed steel flange type
		SBPF200 SBPFL200	SAPF200 SAPFL200		PF200 PFL200	
				NAT200	T200, TX00, T300 T200E, TX00E ST200H1 T200+H	Take-up type
					TL200 TU200, TU300	
		SBPTH200 SBNPTH200			PTH200 NPTH200	
						Cartridge type
				NAC200	C200, CX00, C300	
						Hanger type
					HA200	

Supplementary table 2 Tightening torques of mounting bolts for housing and cast iron cover

(1) Tightening torques of mounting bolts for housing (recommended)

Nominal size of screws	Tightening torques N · m
M 6	2.6– 4.7
M 8	6 – 10
M10	12 – 21
M12	21 – 37
M14	34 – 60
M16	53 – 93
M18	77 – 137
M20	104 – 186
M22	143 – 256
M27	266 – 478
M30	360 – 645
M33	494 – 886
M36	631 –1 130

(2) Tightening torques of mounting bolts for cast iron cover (recommended)

Nominal size of screws	Tightening torques, N · m	Part No. of applicable cast iron covers (reference)		
		200 series	X00 series	300 series
M3	0.3– 0.6	204, 205	–	–
M4	0.8– 1.4	204FC3 (FD3), 205FC3 (FD3), 206–215	–	305–307
M5	1.5– 2.8	216–218	X18, X20	308–324
M8	6 –10	–	–	326, 328

Supplementary table 3 Tightening torques of set screws for inner ring and eccentric locking collar

(1) Tightening torques of set screws for inner ring and eccentric locking collar (metric series) (recommended)

Nominal size of screws	Tightening torques, N · m	Part No. of applicable bearings						
		UC200, RB200	UCX00	UC300	NA200	SB200	SU000	ER200
M 3X0.35	0.7						000, 001	
M 4X0.5	1.8	–				–	002, 003	
M 5X0.5	3	201X–203X	–	–		201–203	004–006	–
M 6X0.75	4	201–206	X05	305, 306	–	204–207	–	201–206
M 6X1	4	–	–	–	204, 205	–		
M 8X1	8.5	207–209	X06–X08	307	206–210	208		207–209
M10X1.25	17.5	210–212	X09–X11	308, 309	211, 212	–		210–212
M12X1.5	28	213–218	X12–X17	310–314	–			–
M14X1.5	35	–	X18	315, 316				
M16X1.5	56		X20	317–319				
M18X1.5	62		–	320–324				
M20X1.5	83			326, 328				

(2) Tightening torques of set screws for inner ring and eccentric locking collar (inch series) (recommended)

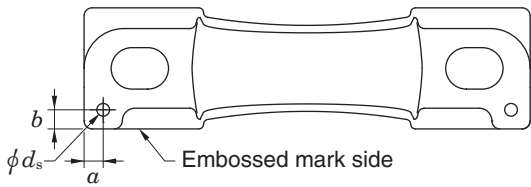
Nominal size of screws	Tightening torques, N · m	Part No. of applicable bearings		
		UC200, ER200, RB200	UCX00	SB200
10-32UNF	3	–	–	201, 202
1/4-28UNF	4	201–206	X05	204–207
5/16-24UNF	8.5	207–209	X06–X08	208
3/8-24UNF	17.5	210–212	X09–X11	–
1/2-20UNF	28	213–218	X12–X18	
5/8-18UNF	56	–	X20	

Supplementary table 4 Tightening torques of adapter lock nuts (reference)

Bore code	Tightening torques, N · m			Bore code	Tightening torques, N · m		
	UK200	UKX00	UK300		UK200	UKX00	UK300
05	24.5	34	29	16	196	255	441
06	29	39	44	17	225	294	530
07	39	49	59	18	265	343	608
08	49	73	78	19	–	–	706
09	59	78	117	20		490	883
10	73	108	147	22		–	1 220
11	98	137	177	24			1 470
12	127	167	225	26			1 770
13	147	196	265	28			2 150
15	167	215	373				

Supplementary table 5 Machining dimensions of holes for housing dowel pins

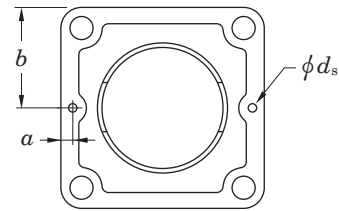
(1) Machining dimensions of holes for pillow block type housing (P) dowel pins (recommended)



Unit : mm

Nominal No.	a	b	ds (reference)	Pin seat thickness
P203	6	6	4	16
P204	6	6	4	16
P205	6	6	4	16
P206	6	6	4	17
P207	8	8	5	18
P208	8	8	5	18
P209	8	8	5	20
P210	10	10	5	21
P211	10	10	6	23
P212	10	10	6	25
P213	10	10	6	27
P214	10	10	8	27
P215	12.5	12.5	8	28
P216	12	12	8	30
P217	12	12	8	32
P218	14	14	8	33
PX05	7	7	5	16
PX06	8	8	5	17
PX07	8	8	5	19
PX08	8	8	5	21
PX09	8	8	5	21
PX10	9	9	6	22
PX11	9	9	6	28
PX12	9	9	6	28
PX13	10	10	8	28
PX14	10	10	8	32
PX15	10	10	8	32
PX16	12	12	8	34
PX17	12	12	8	34
PX18	15	15	10	38
PX20	19	19	10	45
P305	8	8	5	16
P306	10	10	5	17
P307	10	10	5	19
P308	11	11	6	19
P309	11	11	6	21
P310	11	11	6	24
P311	12	12	8	27
P312	12	12	8	29
P313	12	12	8	32
P314	12	12	10	35
P315	14	14	10	35
P316	15	15	10	35
P317	15	15	10	40
P318	15	15	10	40
P319	15	15	10	46
P320	17	17	13	46
P321	17	17	13	46
P322	17	17	13	50
P324	17	17	13	50
P326	20	20	13	50
P328	20	20	13	60

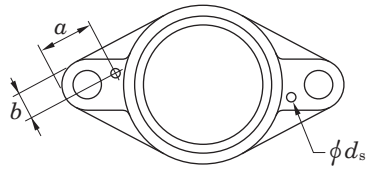
(2) Machining dimensions of holes for square-flanged type housing (F) dowel pins (recommended)



Unit : mm

Nominal No.	a	b	ds (reference)	Pin seat thickness
F204	6	43	4	11
F205	6	47.5	4	13
F206	7.5	54	4	13
F207	7.5	58.5	5	15
F208	7.5	65	5	15
F209	7.5	68.5	5	16
F210	7.5	71.5	5	16
F211	9	81	6	18
F212	9	87.5	6	18
F213	9	93.5	6	22
F214	10	96.5	8	22
F215	10	100	8	22
F216	10	104	8	22
F217	10	110	8	24
F218	10	117.5	8	25
FX05	7.5	54	5	13
FX06	7.5	58.5	5	14
FX07	7.5	65	5	14
FX08	7.5	68.5	5	14
FX09	7.5	71.5	5	14
FX10	9	81	6	20
FX11	9	87.5	6	20
FX12	9	93.5	6	21
FX13	10	93.5	8	21
FX14	10	98.5	8	22
FX15	10	142	8	24
FX16	10	107	8	24
FX17	10	155	8	24
FX18	12	155	10	24
FX20	12	134	10	28
F305	7.5	55	5	13
F306	7.5	62.5	5	15
F307	7.5	67.5	5	16
F308	9	75	6	17
F309	9	80	6	18
F310	9	87.5	6	19
F311	10	92.5	8	20
F312	10	97.5	8	22
F313	10	104	8	22
F314	12	113	10	25
F315	12	118	10	25
F316	12	125	10	27
F317	12	130	10	27
F318	12	140	10	30
F319	12	145	10	30
F320	16	155	13	32
F321	16	155	13	32
F322	16	170	13	35
F324	16	185	13	40
F326	16	205	13	45
F328	16	225	13	55

(3) Machining dimensions of holes for Rombic-flanged type housing (FL) dowel pins (recommended)



Unit : mm

Nominal No.	<i>a</i>	<i>b</i>	<i>d_s</i> (reference)	Pin seat thickness
FL204	26	9	4	11
FL205	32	10	4	13
FL206	34	12	4	13
FL207	34	14	5	14
FL208	35	15	5	14
FL209	40	15	5	15
FL210	41	16	5	15
FL211	43	19	6	18
FL212	52	22	6	18
FL213	50	21	6	20
FL214	52	22	8	20
FL215	53	23	8	20
FL216	56	23	8	20
FL217	57	25	8	22
FL218	57	26	8	23
FLX05	27	12	5	13
FLX06	30	14	5	14
FLX07	32	15	5	14
FLX08	33	15	5	14
FLX09	35	16	5	14
FLX10	37	19	6	20
FL305	32	12	5	13
FL306	46	14	5	15
FL307	44	14	5	16
FL308	45	17	6	17
FL309	53	19	6	18
FL310	53	19	6	19
FL311	52	20	8	20
FL312	60	21	8	22
FL313	60	25	8	25
FL314	68	26	10	28
FL315	64	26	10	30
FL316	74	29	10	32
FL317	75	31	10	32
FL318	74	32	10	36
FL319	80	32	10	40
FL320	86	34	13	40
FL321	86	34	13	40
FL322	86	36	13	42
FL324	94	41	13	48

Supplementary table 6 Shaft tolerances (deviation from nominal dimensions)

Nominal shaft dia. (mm)		Deviation classes of shaft dia.															
Over	Up to	d 6	e 6	f 6	g 5	g 6	h 5	h 6	h 7	h 8	h 9	h 10	js 5	js 6	js 7	j 5	j 6
3	6	-30 -38	-20 -28	-10 -18	-4 -9	-4 -12	0 -5	0 -8	0 -12	0 -18	0 -30	0 -48	± 2.5	± 4	± 6	+ 3 - 2	+ 6 - 2
6	10	-40 -49	-25 -34	-13 -22	-5 -11	-5 -14	0 -6	0 -9	0 -15	0 -22	0 -36	0 -58	± 3	± 4.5	± 7.5	+ 4 - 2	+ 7 - 2
10	18	-50 -61	-32 -43	-16 -27	-6 -14	-6 -17	0 -8	0 -11	0 -18	0 -27	0 -43	0 -70	± 4	± 5.5	± 9	+ 5 - 3	+ 8 - 3
18	30	-65 -78	-40 -53	-20 -33	-7 -16	-7 -20	0 -9	0 -13	0 -21	0 -33	0 -52	0 -84	± 4.5	± 6.5	±10.5	+ 5 - 4	+ 9 - 4
30	50	-80 -96	-50 -66	-25 -41	-9 -20	-9 -25	0 -11	0 -16	0 -25	0 -39	0 -62	0 -100	± 5.5	± 8	±12.5	+ 6 - 5	+11 - 5
50	80	-100 -119	-60 -79	-30 -49	-10 -23	-10 -29	0 -13	0 -19	0 -30	0 -46	0 -74	0 -120	± 6.5	± 9.5	±15	+ 6 - 7	+12 - 7
80	120	-120 -142	-72 -94	-36 -58	-12 -27	-12 -34	0 -15	0 -22	0 -35	0 -54	0 -87	0 -140	± 7.5	±11	±17.5	+ 6 - 9	+13 - 9
120	180	-145 -170	-85 -110	-43 -68	-14 -32	-14 -39	0 -18	0 -25	0 -40	0 -63	0 -100	0 -160	± 9	±12.5	±20	+ 7 -11	+14 -11
180	250	-170 -199	-100 -129	-50 -79	-15 -35	-15 -44	0 -20	0 -29	0 -46	0 -72	0 -115	0 -185	±10	±14.5	±23	+ 7 -13	+16 -13
250	315	-190 -222	-110 -142	-56 -88	-17 -40	-17 -49	0 -23	0 -32	0 -52	0 -81	0 -130	0 -210	±11.5	±16	±26	+ 7 -16	±16
315	400	-210 -246	-125 -161	-62 -98	-18 -43	-18 -54	0 -25	0 -36	0 -57	0 -89	0 -140	0 -230	±12.5	±18	±28.5	+ 7 -18	±18
400	500	-230 -270	-135 -175	-68 -108	-20 -47	-20 -60	0 -27	0 -40	0 -63	0 -97	0 -155	0 -250	±13.5	±20	±31.5	+ 7 -20	±20
500	630	-260 -304	-145 -189	-76 -120	-22 -54	-22 -66	0 -32	0 -44	0 -70	0 -110	0 -175	0 -280	±16	±22	±35	-	-
630	800	-290 -340	-160 -210	-80 -130	-24 -60	-24 -74	0 -36	0 -50	0 -80	0 -125	0 -200	0 -320	±18	±25	±40	-	-
800	1 000	-320 -376	-170 -226	-86 -142	-26 -66	-26 -82	0 -40	0 -56	0 -90	0 -140	0 -230	0 -360	±20	±28	±45	-	-

* Δ_{dmp} : Single plane mean bore diameter deviation

Unit : μm (Reference)

												Nominal shaft dia. (mm)		Δ_{dmp}^* of bearing (class 0)
k 5	k 6	k 7	m 5	m 6	m 7	n 5	n 6	p 6	r 6	r 7	Over	Up to		
+ 6 + 1	+ 9 + 1	+13 + 1	+ 9 + 4	+12 + 4	+ 16 + 4	+13 + 8	+ 16 + 8	+ 20 + 12	+ 23 + 15	+ 27 + 15	3	6	0 - 8	
+ 7 + 1	+10 + 1	+16 + 1	+12 + 6	+15 + 6	+ 21 + 6	+16 +10	+ 19 + 10	+ 24 + 15	+ 28 + 19	+ 34 + 19	6	10	0 - 8	
+ 9 + 1	+12 + 1	+19 + 1	+15 + 7	+18 + 7	+ 25 + 7	+20 +12	+ 23 + 12	+ 29 + 18	+ 34 + 23	+ 41 + 23	10	18	0 - 8	
+11 + 2	+15 + 2	+23 + 2	+17 + 8	+21 + 8	+ 29 + 8	+24 +15	+ 28 + 15	+ 35 + 22	+ 41 + 28	+ 49 + 28	18	30	0 - 10	
+13 + 2	+18 + 2	+27 + 2	+20 + 9	+25 + 9	+ 34 + 9	+28 +17	+ 33 + 17	+ 42 + 26	+ 50 + 34	+ 59 + 34	30	50	0 - 12	
+15 + 2	+21 + 2	+32 + 2	+24 +11	+30 +11	+ 41 + 11	+33 +20	+ 39 + 20	+ 51 + 32	+ 60 + 41	+ 71 + 41	50	65	0 - 15	
									+ 62 + 43	+ 73 + 43	65	80		
+18 + 3	+25 + 3	+38 + 3	+28 +13	+35 +13	+ 48 + 13	+38 +23	+ 45 + 23	+ 59 + 37	+ 73 + 51	+ 86 + 51	80	100	0 - 20	
									+ 76 + 54	+ 89 + 54	100	120		
+21 + 3	+28 + 3	+43 + 3	+33 +15	+40 +15	+ 55 + 15	+45 +27	+ 52 + 27	+ 68 + 43	+ 88 + 63	+103 + 63	120	140	0 - 25	
									+ 90 + 65	+105 + 65	140	160		
									+ 93 + 68	+108 + 68	160	180		
+24 + 4	+33 + 4	+50 + 4	+37 +17	+46 +17	+ 63 + 17	+51 +31	+ 60 + 31	+ 79 + 50	+106 + 77	+123 + 77	180	200	0 - 30	
									+109 + 80	+126 + 80	200	225		
									+113 + 84	+130 + 84	225	250		
+27 + 4	+36 + 4	+56 + 4	+43 +20	+52 +20	+ 72 + 20	+57 +34	+ 66 + 34	+ 88 + 56	+126 + 94	+146 + 94	250	280	0 - 35	
									+130 + 98	+150 + 98	280	315		
+29 + 4	+40 + 4	+61 + 4	+46 +21	+57 +21	+ 78 + 21	+62 +37	+ 73 + 37	+ 98 + 62	+144 +108	+165 +108	315	355	0 - 40	
									+150 +114	+171 +114	355	400		
+32 + 5	+45 + 5	+68 + 5	+50 +23	+63 +23	+ 86 + 23	+67 +40	+ 80 + 40	+108 + 68	+166 +126	+189 +126	400	450	0 - 45	
									+172 +132	+195 +132	450	500		
+32 0	+44 0	+70 0	+58 +26	+70 +26	+ 96 + 26	+76 +44	+ 88 + 44	+122 + 78	+194 +150	+220 +150	500	560	0 - 50	
									+199 +155	+225 +155	560	630		
+36 0	+50 0	+80 0	+66 +30	+80 +30	+110 + 30	+86 +50	+100 + 50	+138 + 88	+225 +175	+255 +175	630	710	0 - 75	
									+235 +185	+265 +185	710	800		
+40 0	+56 0	+90 0	+74 +34	+90 +34	+124 + 34	+96 +56	+112 + 56	+156 +100	+266 +210	+300 +210	800	900	0 -100	
									+276 +220	+310 +220	900	1 000		

Supplementary table 7 Housing bore tolerances (deviation from nominal dimensions)

Nominal Bore dia. (mm)		Deviation classes of housing bore														
Over	Up to	E 6	F 6	F 7	G 6	G 7	H 6	H 7	H 8	H 9	H 10	JS 5	JS 6	JS 7	J 6	J 7
10	18	+ 43 + 32	+ 27 + 16	+ 34 + 16	+17 + 6	+ 24 + 6	+11 0	+ 18 0	+ 27 0	+ 43 0	+ 70 0	± 4	± 5.5	± 9	+ 6 - 5	+10 - 8
18	30	+ 53 + 40	+ 33 + 20	+ 41 + 20	+20 + 7	+ 28 + 7	+13 0	+ 21 0	+ 33 0	+ 52 0	+ 84 0	± 4.5	± 6.5	±10.5	+ 8 - 5	+12 - 9
30	50	+ 66 + 50	+ 41 + 25	+ 50 + 25	+25 + 9	+ 34 + 9	+16 0	+ 25 0	+ 39 0	+ 62 0	+100 0	± 5.5	± 8	±12.5	+10 - 6	+14 -11
50	80	+ 79 + 60	+ 49 + 30	+ 60 + 30	+29 +10	+ 40 + 10	+19 0	+ 30 0	+ 46 0	+ 74 0	+120 0	± 6.5	± 9.5	±15	+13 - 6	+18 -12
80	120	+ 94 + 72	+ 58 + 36	+ 71 + 36	+34 +12	+ 47 + 12	+22 0	+ 35 0	+ 54 0	+ 87 0	+140 0	± 7.5	±11	±17.5	+16 - 6	+22 -13
120	180	+110 + 85	+ 68 + 43	+ 83 + 43	+39 +14	+ 54 + 14	+25 0	+ 40 0	+ 63 0	+100 0	+160 0	± 9	±12.5	±20	+18 - 7	+26 -14
180	250	+129 +100	+ 79 + 50	+ 96 + 50	+44 +15	+ 61 + 15	+29 0	+ 46 0	+ 72 0	+115 0	+185 0	±10	±14.5	±23	+22 - 7	+30 -16
250	315	+142 +110	+ 88 + 56	+108 + 56	+49 +17	+ 69 + 17	+32 0	+ 52 0	+ 81 0	+130 0	+210 0	±11.5	±16	±26	+25 - 7	+36 -16
315	400	+161 +125	+ 98 + 62	+119 + 62	+54 +18	+ 75 + 18	+36 0	+ 57 0	+ 89 0	+140 0	+230 0	±12.5	±18	±28.5	+29 - 7	+39 -18
400	500	+175 +135	+108 + 68	+131 + 68	+60 +20	+ 83 + 20	+40 0	+ 63 0	+ 97 0	+155 0	+250 0	±13.5	±20	±31.5	+33 - 7	+43 -20
500	630	+189 +145	+120 + 76	+146 + 76	+66 +22	+ 92 + 22	+44 0	+ 70 0	+110 0	+175 0	+280 0	±16	±22	±35	-	-
630	800	+210 +160	+130 + 80	+160 + 80	+74 +24	+104 + 24	+50 0	+ 80 0	+125 0	+200 0	+320 0	±18	±25	±40	-	-
800	1 000	+226 +170	+142 + 86	+176 + 86	+82 +26	+116 + 26	+56 0	+ 90 0	+140 0	+230 0	+360 0	±20	±28	±45	-	-
1 000	1 250	+261 +195	+164 + 98	+203 + 98	+94 +28	+133 + 28	+66 0	+105 0	+165 0	+260 0	+420 0	±23.5	±33	±52.5	-	-

* $\Delta_{D_{mp}}$: Single plane mean outside diameter deviation

Unit : μm (Reference)

													Nominal Bore dia. (mm)		Δ_{Dmp}^* of bearing (class 0)
K 5	K 6	K 7	M 5	M 6	M 7	N 5	N 6	N 7	P 6	P 7	R 7	Over	Up to		
+ 2 - 6	+ 2 - 9	+ 6 - 12	- 4 - 12	- 4 - 15	0 - 18	- 9 - 17	- 9 - 20	- 5 - 23	- 15 - 26	- 11 - 29	- 16 - 34	10	18	0 - 8	
+ 1 - 8	+ 2 - 11	+ 6 - 15	- 5 - 14	- 4 - 17	0 - 21	- 12 - 21	- 11 - 24	- 7 - 28	- 18 - 31	- 14 - 35	- 20 - 41	18	30	0 - 9	
+ 2 - 9	+ 3 - 13	+ 7 - 18	- 5 - 16	- 4 - 20	0 - 25	- 13 - 24	- 12 - 28	- 8 - 33	- 21 - 37	- 17 - 42	- 25 - 50	30	50	0 - 11	
+ 3 - 10	+ 4 - 15	+ 9 - 21	- 6 - 19	- 5 - 24	0 - 30	- 15 - 28	- 14 - 33	- 9 - 39	- 26 - 45	- 21 - 51	- 30 - 60	50	65	0 - 13	
											- 32 - 62	65	80		
+ 2 - 13	+ 4 - 18	+ 10 - 25	- 8 - 23	- 6 - 28	0 - 35	- 18 - 33	- 16 - 38	- 10 - 45	- 30 - 52	- 24 - 59	- 38 - 73	80	100	0 - 15	
											- 41 - 76	100	120		
+ 3 - 15	+ 4 - 21	+ 12 - 28	- 9 - 27	- 8 - 33	0 - 40	- 21 - 39	- 20 - 45	- 12 - 52	- 36 - 61	- 28 - 68	- 48 - 88	120	140	(up to 150) 0	
											- 50 - 90	140	160	- 18 (over to 150)	
											- 53 - 93	160	180	0 - 25	
+ 2 - 18	+ 5 - 24	+ 13 - 33	- 11 - 31	- 8 - 37	0 - 46	- 25 - 45	- 22 - 51	- 14 - 60	- 41 - 70	- 33 - 79	- 60 - 106	180	200	0 - 30	
											- 63 - 109	200	225		
											- 67 - 113	225	250		
+ 3 - 20	+ 5 - 27	+ 16 - 36	- 13 - 36	- 9 - 41	0 - 52	- 27 - 50	- 25 - 57	- 14 - 66	- 47 - 79	- 36 - 88	- 74 - 126	250	280	0 - 35	
											- 78 - 130	280	315		
											- 87 - 144	315	355		
+ 3 - 22	+ 7 - 29	+ 17 - 40	- 14 - 39	- 10 - 46	0 - 57	- 30 - 55	- 26 - 62	- 16 - 73	- 51 - 87	- 41 - 98	- 93 - 150	355	400	0 - 40	
											- 103 - 166	400	450		
+ 2 - 25	+ 8 - 32	+ 18 - 45	- 16 - 43	- 10 - 50	0 - 63	- 33 - 60	- 27 - 67	- 17 - 80	- 55 - 95	- 45 - 108	- 109 - 172	450	500	0 - 45	
											- 150 - 220	500	560		
0 - 32	0 - 44	0 - 70	- 26 - 58	- 26 - 70	- 26 - 96	- 44 - 76	- 44 - 88	- 44 - 114	- 78 - 122	- 78 - 148	- 155 - 225	560	630	0 - 50	
											- 175 - 255	630	710		
0 - 36	0 - 50	0 - 80	- 30 - 66	- 30 - 80	- 30 - 110	- 50 - 86	- 50 - 100	- 50 - 130	- 88 - 138	- 88 - 168	- 185 - 265	710	800	0 - 75	
											- 210 - 300	800	900		
0 - 40	0 - 56	0 - 90	- 34 - 74	- 34 - 90	- 34 - 124	- 56 - 96	- 56 - 112	- 56 - 146	- 100 - 156	- 100 - 190	- 220 - 310	900	1 000	0 - 100	
											- 250 - 355	1 000	1 120		
0 - 47	0 - 66	0 - 105	- 40 - 87	- 40 - 106	- 40 - 145	- 66 - 113	- 66 - 132	- 66 - 171	- 120 - 186	- 120 - 225	- 260 - 365	1 120	1 250	0 - 125	

Supplementary Table 8 (1) SI units and conversion factors

Mass	SI units	Other Units ¹⁾	Conversion into SI units	Conversion from SI units
Angle	rad [radian(s)]	° [degree(s)] * ' [minute(s)] * " [second(s)] *	1° = $\pi / 180$ rad 1' = $\pi / 10\,800$ rad 1" = $\pi / 648\,000$ rad	1 rad = 57.295 78°
Length	m [meter(s)]	Å [Angstrom unit] μ [micron(s)] in [inch(es)] ft [foot(feet)] yd [yard(s)] mile [mile(s)]	1 Å = 10^{-10} m = 0.1 nm = 100 pm 1 μ = 1 μm 1 in = 25.4 mm 1 ft = 12 in = 0.304 8 m 1 yd = 3 ft = 0.914 4 m 1 mile = 5 280 ft = 1 609.344 m	1 m = 10^{10} Å 1 m = 39.37 in 1 m = 3.280 8 ft 1 m = 1.093 6 yd 1 km = 0.621 4 mile
Area	m ²	a [are(s)] ha [hectare(s)] acre [acre(s)]	1 a = 100 m ² 1 ha = 10 ⁴ m ² 1 acre = 4 840 yd ² = 4 046.86 m ²	1 km ² = 247.1 acre
Volume	m ³	ℓ, L [liter(s)] * cc [cubic centimeters] gal (US) [gallon(s)] floz (US) [fluid ounce(s)] barrel (US) [barrels(US)]	1 ℓ = 1 dm ³ = 10 ⁻³ m ³ 1 cc = 1 cm ³ = 10 ⁻⁶ m ³ 1 gal (US) = 231 in ³ = 3.785 41 dm ³ 1 floz (US) = 29.573 5 cm ³ 1 barrel (US) = 158.987 dm ³	1 m ³ = 10 ³ ℓ 1 m ³ = 10 ⁶ cc 1 m ³ = 264.17 gal 1 m ³ = 33 814 floz 1 m ³ = 6.289 8 barrel
Time	s [second(s)]	min [minute(s)] * h [hour(s)] * d [day(s)] *		
Angular velocity	rad/s			
Velocity	m/s	kn [knot(s)] m/h *	1 kn = 1 852 m/h	1 km/h = 0.539 96 kn
Acceleration	m/s ²	G	1 G = 9.806 65 m/s ²	1 m/s ² = 0.101 97 G
Frequency	Hz [hertz]	c/s [cycle(s)/second]	1 c/s = 1 s ⁻¹ = 1 Hz	
Rotational frequency	s ⁻¹	rpm [revolutions per minute] min ⁻¹ * r/min	1 rpm = 1/60 s ⁻¹	1 s ⁻¹ = 60 rpm
Mass	kg [kilogram(s)]	t [ton(s)] * lb [pound(s)] gr [grain(s)] oz [ounce(s)] ton (UK) [ton(s) (UK)] ton (US) [ton(s) (US)] car [carat(s)]	1 t = 10 ³ kg 1 lb = 0.453 592 37 kg 1 gr = 64.798 91 mg 1 oz = 1/16 lb = 28.349 5 g 1 ton (UK) = 1 016.05 kg 1 ton (US) = 907.185 kg 1 car = 200 mg	1 kg = 2.204 6 lb 1 g = 15.432 4 gr 1 kg = 35.274 0 oz 1 t = 0.984 2 ton (UK) 1 t = 1.102 3 ton (US) 1 g = 5 car

Note 1) * : Unit can be used as an SI unit.
No asterisk : Unit cannot be used.

Supplementary Table 8 (2) SI units and conversion factors

Mass	SI units	Other Units ¹⁾	Conversion into SI units	Conversion from SI units
Density	kg/m ³			
Linear density	kg/m			
Momentum	kg · m/s			
Moment of momentum, Angular momentum	} kg · m ² /s			
Moment of inertia		kg · m ²		
Force	N [newton(s)]	dyn [dyne(s)] kgf [kilogram-force] gf [gram-force] tf [ton-force] lbf [pound-force]	1 dyn = 10 ⁻⁵ N 1 kgf = 9.806 65 N 1 gf = 9.806 65 × 10 ⁻³ N 1 tf = 9.806 65 × 10 ³ N 1 lbf = 4.448 22 N	1 N = 10 ⁵ dyn 1 N = 0.101 97 kgf 1 N = 0.224 809 lbf
Moment of force	N · m [newton meter(s)]	gf · cm kgf · cm kgf · m tf · m lbf · ft	1 gf · cm = 9.806 65 × 10 ⁻⁵ N · m 1 kgf · cm = 9.806 65 × 10 ⁻² N · m 1 kgf · m = 9.806 65 N · m 1 tf · m = 9.806 65 × 10 ³ N · m 1 lbf · ft = 1.355 82 N · m	1 N · m = 0.101 97 kgf · m 1 N · m = 0.737 56 lbf · ft
Pressure, Normal stress	Pa [pascal(s)] or N/m ² {1 Pa = 1 N/m ² }	gf/cm ² kgf/mm ² kgf/m ² lbf/in ² bar [bar(s)] at [engineering air pressure] mH ₂ O, mAq [meter water column] atm [atmosphere] mHg [meter mercury column] Torr [torr]	1 gf/cm ² = 9.806 65 × 10 Pa 1 kgf/mm ² = 9.806 65 × 10 ⁶ Pa 1 kgf/m ² = 9.806 65 Pa 1 lbf/in ² = 6 894.76 Pa 1 bar = 10 ⁵ Pa 1 at = 1kgf/cm ² = 9.806 65 × 10 ⁴ Pa 1 mH ₂ O = 9.806 65 × 10 ³ Pa 1 atm = 101 325 Pa 1 mHg = $\frac{101\ 325}{0.76}$ Pa 1 Torr = 1mmHg = 133.322 Pa	1 MPa = 0.101 97 kgf/mm ² 1 Pa = 0.101 97 kgf/m ² 1 Pa = 0.145 × 10 ⁻³ lbf/in ² 1 Pa = 10 ⁻² mbar 1 Pa = 7.500 6 × 10 ⁻³ Torr
Viscosity	Pa · s [pascal second]	P [poise] kgf · s/m ²	10 ⁻² P = 1 cP = 1 mPa · s 1 kgf · s/m ² = 9.806 65 Pa · s	1 Pa · s = 0.101 97 kgf · s/m ²
Kinematic viscosity	m ² /s	St [stokes]	10 ⁻² St = 1 cSt = 1 mm ² /s	
Surface tension	N/m			

Note 1) * : Unit can be used as an SI unit.
No asterisk : Unit cannot be used.

Supplementary Table 8 (3) SI units and conversion factors

Mass	SI units	Other Units ¹⁾	Conversion into SI units	Conversion from SI units
Work, energy	J [joule(s)] {1 J = 1 N · m}	eV [electron volt(s)] * erg [erg(s)] kgf · m lbf · ft	1 eV = (1.602 189 2 ± 0.000 004 6) × 10 ⁻¹⁹ J 1 erg = 10 ⁻⁷ J 1 kgf · m = 9.806 65 J 1 lbf · ft = 1.355 82 J	1 J = 10 ⁷ erg 1 J = 0.101 97 kgf · m 1 J = 0.737 56 lbf · ft
Power	W [watt(s)]	erg/s [ergs per second] kgf · m/s PS [French horse-power] HP [horse-power (British)] lbf · ft/s	1 erg/s = 10 ⁻⁷ W 1 kgf · m/s = 9.806 65 W 1 PS = 75 kgf · m/s = 735.5 W 1 HP = 550 lbf · ft/s = 745.7 W 1 lbf · ft/s = 1.355 82 W	1 W = 0.101 97 kgf · m/s 1 W = 0.001 36 PS 1 W = 0.001 34 HP
Thermo-dynamic temperature	K [kelvin(s)]			
Celsius temperature	°C [celsius(s)] {t °C = (t + 273.15) K}	°F [degree(s) Fahrenheit]	t°F = $\frac{5}{9} (t - 32) °C$	t°C = $(\frac{5}{9} t + 32) °F$
Linear expansion coefficient	K ⁻¹	°C ⁻¹ [per degree]		
Heat	J [joule(s)] {1 J = 1 N · m}	erg [erg(s)] kgf · m cal _{IT} [l. T. calories]	1 erg = 10 ⁻⁷ J 1 cal _{IT} = 4.186 8 J 1 Mcal _{IT} = 1.163 kW · h	1 J = 10 ⁷ erg 1 J = 0.238 85 cal _{IT} 1 kW · h = 0.86 × 10 ⁶ cal _{IT}
Thermal conductivity	W/ (m · K)	W/ (m · °C) cal/ (s · m · °C)	1 W/ (m · °C) = 1 W/ (m · K) 1 cal/ (s · m · °C) = 4.186 05 W/ (m · K)	
Coefficient of heat transfer	W/ (m ² · K)	W/ (m ² · °C) cal/ (s · m ² · °C)	1 W/ (m ² · °C) = 1 W/ (m ² · K) 1 cal/ (s · m ² · °C) = 4.186 05 W/ (m ² · K)	
Heat capacity	J/K	J/°C	1 J/°C = 1 J/K	
Massic heat capacity	J/ (kg · K)	J/ (kg · °C)		

Note 1) * : Unit can be used as an SI unit.
No asterisk : Unit cannot be used.

Supplementary Table 8 (4) SI units and conversion factors

Mass	SI units	Other Units ¹⁾	Conversion into SI units	Conversion from SI units
Electric current	A [ampere(s)]			
Electric charge, quantity of electricity	C [coulomb(s)] {1 C = 1 A · s}	A · h * 	1 A · h = 3.6 kC	
Tension, electric potential	V [volt(s)] {1 V = 1 W/A}			
Capacitance	F [farad(s)] {1 F = 1 C/V}			
Magnetic field strength	A/m	Oe [oersted(s)]	$1 \text{ Oe} = \frac{10^3}{4\pi} \text{ A/m}$	1 A/m = $4\pi \times 10^{-3}$ Oe
Magnetic flux density	T [tesla(s)] {1 T = 1 N/(A · m) = 1 Wb/m ² = 1 V · s/m ² }	Gs [gauss(es)] γ [gamma(s)]	1 Gs = 10^{-4} T 1 γ = 10^{-9} T	1 T = 10^4 Gs 1 T = $10^9 \gamma$
Magnetic flux	Wb [weber(s)] {1 Wb = 1 V · s}	Mx [maxwell(s)]	1 Mx = 10^{-8} Wb	1 Wb = 10^8 Mx
Self inductance	H [henry (– ries)] {1 H = 1 Wb/A}			
Resistance (to direct current)	Ω [ohm(s)] {1 Ω = 1 V/A}			
Conductance (to direct current)	S [siemens] {1 S = 1 A/V}			
Active power	W {1 W = 1 J/s = 1 A · V}			

Note 1) * : Unit can be used as an SI unit.
No asterisk : Unit cannot be used.

Supplementary table 9 Inch/millimeter conversion

Supplementary table 9 Inch/millimeter conversion

Inch	Inches											
	0	1	2	3	4	5	6	7	8	9	10	
	mm											
0	0	0	25.4000	50.8000	76.2000	101.6000	127.0000	152.4000	177.8000	203.2000	228.6000	254.0000
1/64	0.015625	0.3969	25.7969	51.1969	76.5969	101.9969	127.3969	152.7969	178.1969	203.5969	228.9969	254.3969
1/32	0.03125	0.7938	26.1938	51.5938	76.9938	102.3938	127.7938	153.1938	178.5938	203.9938	229.3938	254.7938
3/64	0.046875	1.1906	26.5906	51.9906	77.3906	102.7906	128.1906	153.5906	178.9906	204.3906	229.7906	255.1906
1/16	0.0625	1.5875	26.9875	52.3875	77.7875	103.1875	128.5875	153.9875	179.3875	204.7875	230.1875	255.5875
5/64	0.078125	1.9844	27.3844	52.7844	78.1844	103.5844	128.9844	154.3844	179.7844	205.1844	230.5844	255.9844
3/32	0.09375	2.3812	27.7812	53.1812	78.5812	103.9812	129.3812	154.7812	180.1812	205.5812	230.9812	256.3812
7/64	0.109375	2.7781	28.1781	53.5781	78.9781	104.3781	129.7781	155.1781	180.5781	205.9781	231.3781	256.7781
1/8	0.125	3.1750	28.5750	53.9750	79.3750	104.7750	130.1750	155.5750	180.9750	206.3750	231.7750	257.1750
9/64	0.140625	3.5719	28.9719	54.3719	79.7719	105.1719	130.5719	155.9719	181.3719	206.7719	232.1719	257.5719
5/32	0.15625	3.9688	29.3688	54.7688	80.1688	105.5688	130.9688	156.3688	181.7688	207.1688	232.5688	257.9688
11/64	0.171875	4.3656	29.7656	55.1656	80.5656	105.9656	131.3656	156.7656	182.1656	207.5656	232.9656	258.3656
3/16	0.1875	4.7625	30.1625	55.5625	80.9625	106.3625	131.7625	157.1625	182.5625	207.9625	233.3625	258.7625
13/64	0.203125	5.1594	30.5594	55.9594	81.3594	106.7594	132.1594	157.5594	182.9594	208.3594	233.7594	259.1594
7/32	0.21875	5.5562	30.9562	56.3562	81.7562	107.1562	132.5562	157.9562	183.3562	208.7562	234.1562	259.5562
15/64	0.234375	5.9531	31.3531	56.7531	82.1531	107.5531	132.9531	158.3531	183.7531	209.1531	234.5531	259.9531
1/4	0.25	6.3500	31.7500	57.1500	82.5500	107.9500	133.3500	158.7500	184.1500	209.5500	234.9500	260.3500
17/64	0.265625	6.7469	32.1469	57.5469	82.9469	108.3469	133.7469	159.1469	184.5469	209.9469	235.3469	260.7469
9/32	0.28125	7.1438	32.5438	57.9438	83.3438	108.7438	134.1438	159.5438	184.9438	210.3438	235.7438	261.1438
19/64	0.296875	7.5406	32.9406	58.3406	83.7406	109.1406	134.5406	159.9406	185.3406	210.7406	236.1406	261.5406
5/16	0.3125	7.9375	33.3375	58.7375	84.1375	109.5375	134.9375	160.3375	185.7375	211.1375	236.5375	261.9375
21/64	0.328125	8.3344	33.7344	59.1344	84.5344	109.9344	135.3344	160.7344	186.1344	211.5344	236.9344	262.3344
11/32	0.34375	8.7312	34.1312	59.5312	84.9312	110.3312	135.7312	161.1312	186.5312	211.9312	237.3312	262.7312
23/64	0.359375	9.1281	34.5281	59.9281	85.3281	110.7281	136.1281	161.5281	186.9281	212.3281	237.7281	263.1281
3/8	0.375	9.5250	34.9250	60.3250	85.7250	111.1250	136.5250	161.9250	187.3250	212.7250	238.1250	263.5250
25/64	0.390625	9.9219	35.3219	60.7219	86.1219	111.5219	136.9219	162.3219	187.7219	213.1219	238.5219	263.9219
13/32	0.40625	10.3188	35.7188	61.1188	86.5188	111.9188	137.3188	162.7188	188.1188	213.5188	238.9188	264.3188
27/64	0.421875	10.7156	36.1156	61.5156	86.9156	112.3156	137.7156	163.1156	188.5156	213.9156	239.3156	264.7156
7/16	0.4375	11.1125	36.5125	61.9125	87.3125	112.7125	138.1125	163.5125	188.9125	214.3125	239.7125	265.1125
29/64	0.453125	11.5094	36.9094	62.3094	87.7094	113.1094	138.5094	163.9094	189.3094	214.7094	240.1094	265.5094
15/32	0.46875	11.9062	37.3062	62.7062	88.1062	113.5062	138.9062	164.3062	189.7062	215.1062	240.5062	265.9062
31/64	0.484375	12.3031	37.7031	63.1031	88.5031	113.9031	139.3031	164.7031	190.1031	215.5031	240.9031	266.3031
1/2	0.5	12.7000	38.1000	63.5000	88.9000	114.3000	139.7000	165.1000	190.5000	215.9000	241.3000	266.7000
33/64	0.515625	13.0969	38.4969	63.8969	89.2969	114.6969	140.0969	165.4969	190.8969	216.2969	241.6969	267.0969
17/32	0.53125	13.4938	38.8938	64.2938	89.6938	115.0938	140.4938	165.8938	191.2938	216.6938	242.0938	267.4938
35/64	0.546875	13.8906	39.2906	64.6906	90.0906	115.4906	140.8906	166.2906	191.6906	217.0906	242.4906	267.8906
9/16	0.5625	14.2875	39.6875	65.0875	90.4875	115.8875	141.2875	166.6875	192.0875	217.4875	242.8875	268.2875
37/64	0.578125	14.6844	40.0844	65.4844	90.8844	116.2844	141.6844	167.0844	192.4844	217.8844	243.2844	268.6844
19/32	0.59375	15.0812	40.4812	65.8812	91.2812	116.6812	142.0812	167.4812	192.8812	218.2812	243.6812	269.0812
39/64	0.609375	15.4781	40.8781	66.2781	91.6781	117.0781	142.4781	167.8781	193.2781	218.6781	244.0781	269.4781
5/8	0.625	15.8750	41.2750	66.6750	92.0750	117.4750	142.8750	168.2750	193.6750	219.0750	244.4750	269.8750
41/64	0.640625	16.2719	41.6719	67.0719	92.4719	117.8719	143.2719	168.6719	194.0719	219.4719	244.8719	270.2719
21/32	0.65625	16.6688	42.0688	67.4688	92.8688	118.2688	143.6688	169.0688	194.4688	219.8688	245.2688	270.6688
43/64	0.671875	17.0656	42.4656	67.8656	93.2656	118.6656	144.0656	169.4656	194.8656	220.2656	245.6656	271.0656
11/16	0.6875	17.4625	42.8625	68.2625	93.6625	119.0625	144.4625	169.8625	195.2625	220.6625	246.0625	271.4625
45/64	0.703125	17.8594	43.2594	68.6594	94.0594	119.4594	144.8594	170.2594	195.6594	221.0594	246.4594	271.8594
23/32	0.71875	18.2562	43.6562	69.0562	94.4562	119.8562	145.2562	170.6562	196.0562	221.4562	246.8562	272.2562
47/64	0.734375	18.6531	44.0531	69.4531	94.8531	120.2531	145.6531	171.0531	196.4531	221.8531	247.2531	272.6531
3/4	0.75	19.0500	44.4500	69.8500	95.2500	120.6500	146.0500	171.4500	196.8500	222.2500	247.6500	273.0500
49/64	0.765625	19.4469	44.8469	70.2469	95.6469	121.0469	146.4469	171.8469	197.2469	222.6469	248.0469	273.4469
25/32	0.78125	19.8438	45.2438	70.6438	96.0438	121.4438	146.8438	172.2438	197.6438	223.0438	248.4438	273.8438
51/64	0.796875	20.2406	45.6406	71.0406	96.4406	121.8406	147.2406	172.6406	198.0406	223.4406	248.8406	274.2406
13/16	0.8125	20.6375	46.0375	71.4375	96.8375	122.2375	147.6375	173.0375	198.4375	223.8375	249.2375	274.6375
53/64	0.828125	21.0344	46.4344	71.8344	97.2344	122.6344	148.0344	173.4344	198.8344	224.2344	249.6344	275.0344
27/32	0.84375	21.4312	46.8312	72.2312	97.6312	123.0312	148.4312	173.8312	199.2312	224.6312	250.0312	275.4312
55/64	0.859375	21.8281	47.2281	72.6281	98.0281	123.4281	148.8281	174.2281	199.6281	225.0281	250.4281	275.8281
7/8	0.875	22.2250	47.6250	73.0250	98.4250	123.8250	149.2250	174.6250	200.0250	225.4250	250.8250	276.2250
57/64	0.890625	22.6219	48.0219	73.4219	98.8219	124.2219	149.6219	175.0219	200.4219	225.8219	251.2219	276.6219
29/32	0.90625	23.0188	48.4188	73.8188	99.2188	124.6188	150.0188	175.4188	200.8188	226.2188	251.6188	277.0188
59/64	0.921875	23.4156	48.8156	74.2156	99.6156	125.0156	150.4156	175.8156	201.2156	226.6156	252.0156	277.4156
15/16	0.9375	23.8125	49.2125	74.6125	100.0125	125.4125	150.8125	176.2125	201.6125	227.0125	252.4125	277.8125
61/64	0.953125	24.2094	49.6094	75.0094	100.4094	125.8094	151.2094	176.6094	202.0094	227.4094	252.8094	278.2094
31/32	0.96875	24.6062	50.0062	75.4062	100.8062	126.2062	151.6062	177.0062	202.4062	227.8062	253.2062	278.6062
63/64	0.984375	25.0031	50.4031	75.8031	101.2031	126.6031	152.0031	177.4031	202.8031	228.2031	253.603	

Supplementary table 10 Mechanical properties of metal materials (reference)

(1) Modulus of longitudinal elasticity, elastic limit, and ultimate strength

Material	Main components and others	Specific gravity	Modulus of longitudinal elasticity (GPa)	Elastic limit σ_e (MPa)	Ultimate strength (MPa)		
					Tensile K_t	Compression K_c	Shear K_s
Gray cast iron (FC150)		7.1–7.3	69	29	118	590	108
(FC200)		7.1–7.3	98	88	137– 216	740	206
(FC250)		7.1–7.3	103	88	176– 314	880	206
White heart malleable cast iron	Residual carbon : 1.6% or less	7.1–7.3	158	196	314– 392	820	382
Black heart malleable cast iron		7.2–7.6	158	196	274– 392	820	382
Carbon steel	General	7.7–7.8	196–216	176–245	314– 830	–	–
Extra mild steel	C 0.05–0.15%	7.8	196	118	Up to 372	Virtually identical to tensile strength, provided buckling can be ignored	0.8 K_t
Mild steel	C 0.15–0.25%	7.8	204	157	372– 392		0.75 K_t
Middle hard steel	C 0.25–0.40%	7.8	206	245–294	490– 590		0.75 K_t
Hard steel	C 0.40–0.50%	7.8	216	343	590– 690		0.7 K_t
Maximum hard steel	C 0.50–0.65%	7.8	216	372	690– 830		0.65 K_t
Mild steel	C 0.18% hot rolling	7.8	206	176	421		314
Hard steel	Oil hardening, tempering at 700 °C	7.8	206	343	590		461
Tool steel	C 0.60–1.50% hardening	7.8	216	441	660	820	
Cast steel	General	7.8–7.9	206–211	176–245	343– 600	343–600	284–382
Cast steel (mild)	C 0.15–0.22%	7.8–7.9	206	196	363– 431	363–431	284
Cast steel (middle hard)	C 0.22–0.30%	7.8–7.9	211	225	392– 490	392–490	333
Cast steel (hard)	C 0.30–0.40%	7.9	211	245	490– 590	490–590	382
Nickel steel	C 0.25–0.35% Ni 2–5%	7.85	206–216	333	640– 830	640	401
Chrome steel	C 0.13–0.48% Cr 0.9–1.2%	7.85	206–216	–	780– 980	–	–
Nickel chrome steel	C, Ni, Cr included	7.85	206–216	–	740– 980	–	382–500
Chromium molybdenum steel	C, Cr, Mo included	7.85	206–216	–	830– 980	–	–
Manganese steel	C 0.2–0.46% Mn 1–1.4%	7.85	206–216	–	440–1 080	–	–
Spring steel		7.86	216	735	1 080–1 670	1 670	–
Stainless steel	C, Cr, Ni included	7.75	206–216	–	620	–	410
Brass casting	Cu 60% Zn 40%	8.5	69	–	176– 216	108	147
Brass (forged plate)	Cu 60% Zn 40%	8.4	78– 98	–	274– 392	314	206
Brass (forged rod)	Cu 60% Zn 40%	8.4	82	–	520	314	314
Phosphor bronze casting	Cu 90% Sn 10% P 0.1%	8.8	93–103	–	196– 294	137	176
Phosphor bronze (forging)	Cu 90% Sn 10% P 0.1%	8.8	132	–	294– 980	206	382
Tin		7.28	39– 54	–	27	–	–
Lead		11.34	15– 17	–	20	–	–
Zinc		7.1	78–127	–	78– 176	–	–

(2) Allowable stress

Unit : MPa

Material	Tensile K_t			Compression K_c		Bending K_b			Shear K_s			Torsion K_d		
	<i>a</i>	<i>b</i>	<i>c</i>	<i>a</i>	<i>b</i>	<i>a</i>	<i>b</i>	<i>c</i>	<i>a</i>	<i>b</i>	<i>c</i>	<i>a</i>	<i>b</i>	<i>c</i>
Cast iron (cast)	29– 34	20– 23	10–12	88– 98	59– 65	45– 59	30– 39	15–20	29– 34	20–23	10–12	26– 34	18–23	88–118
Cast iron (machined)	29– 34	20– 23	10–12	88– 98	59– 65	55– 71	–	–	29– 34	20–23	10–12	26– 34	18–23	88–118
Malleable cast iron	44– 69	29– 46	15–23	59– 88	39– 59	44– 98	29– 46	15–23	–	–	–	29– 39	20–26	10– 13
Cast steel	59–118	39– 78	20–39	88–147	59– 98	74–118	49– 78	25–39	47– 94	31–63	16–31	47– 94	31–63	16– 31
Mild steel	98–157	66–105	32–52	98–157	66–105	88–147	59– 98	35–49	78–127	52–85	26–42	78–137	52–91	26– 46
Middle hard steel	118–176	78–118	39–59	118–176	78–118	118–176	78–118	39–59	94–137	63–94	31–47	88–137	59–94	29– 47
Nickel steel	118–176	78–118	39–59	118–176	78–118	118–176	78–118	39–59	94–137	63–94	31–47	88–137	59–92	29– 47
Carbon steel casting	88–118	59– 78	29–39	88–118	59– 78	88–118	59– 78	29–39	71– 93	47–63	24–31	35– 47	24–31	12– 16
Brass (rolled)	10– 59	26– 35	13–20	39– 59	26– 39	39– 59	26– 39	13–20	34– 47	21–31	11–16	31– 47	21–31	11– 16
Bronze	29– 39	20– 26	10–13	29– 39	20– 26	29– 39	20– 26	10–13	–	–	–	–	–	–
Phosphor bronze	59– 88	39– 59	20–29	59– 88	39– 59	59– 88	39– 59	20–29	44– 69	29–46	15–23	44– 69	29–46	15– 23
Aluminum casting	10– 12	7– 8	2– 4	–	–	15– 20	10– 13	5– 7	–	–	–	–	–	–

Remarks 1. *a* is applicable in the case of static load, *b* is applicable in the case of dynamic load, and *c* is applicable to in the case of repeated load.

2. Bending allowable stress K_b and torsion allowable stress K_d of cast iron are applicable when the cross section is round and safety factor is within a range from 5 to 6.

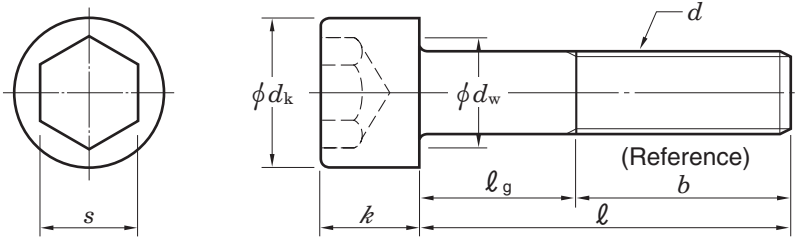
Supplementary table 11 Hexagon socket head cap screws

Supplementary table 11 (1) Hexagon socket head cap screws (abstract from JIS B 1176 (ISO 4762))

M 1.6 – 24

Allowance of bolt length (ℓ)

Unit : mm



Bolt length (ℓ)		Allowance of length
Over	Up to	
-	3	± 0.2
3	6	± 0.24
6	10	± 0.29
10	16	± 0.35
16	30	± 0.42
30	50	± 0.5
50	80	± 0.6
80	120	± 0.7
120	180	± 0.8
180	240	± 0.95
240	300	± 1.05

(1) Parts class A M 1.6–24

Unit : mm

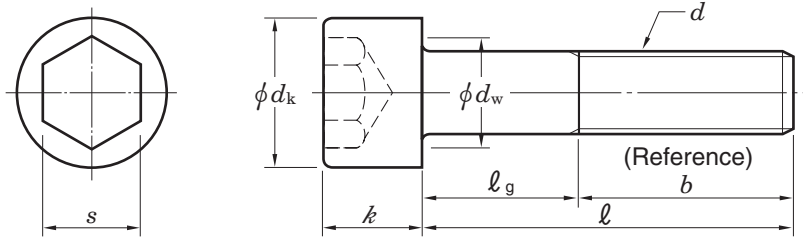
Nominal size of screw d	Coarse screw thread pitch	M 1.6	M 2	M 2.5	M 3	M 4	M 5	M 6	M 8	M 10	M 12	(M 14)	M 16	(M 18)	M 20	(M 22)	M 24
Head dia. d_k		3	3.8	4.5	5.5	7	8.5	10	13	16	18	21	24	27	30	33	36
Head height k		1.6	2	2.5	3	4	5	6	8	10	12	14	16	18	20	22	24
Bearing surface dia. d_w (min.)		2.72	3.4	4.18	5.07	6.53	8.03	9.38	12.33	15.33	17.23	20.17	23.17	25.87	28.87	31.81	34.81
Nominal size of hexagon socket s		1.5	1.5	2	2.5	3	4	5	6	8	10	12	14	14	17	17	19
Thread length b (reference)		15	16	17	18	20	22	24	28	32	36	40	44	48	52	56	60

Nominal length ℓ	M 1.6	Body length ℓ_g (max.)															
2.5																	
3			M 2														
4				M 2.5													
5					M 3												
6						M 4											
8							M 5										
10								M 6									
12									M 8								
16										M 10							
20			M 2								M 12						
25				M 2.5	M 3							(M 14)	M 16				
30						M 4	M 5							(M 18)	M 20		
35								M 6								(M 22)	M 24
40							15	13	11		M 8						
45										20	18	16	12		M 10		
50											23	21	17	13	M 12		
55												28	26	22	18	14	
60													31	27	23	19	(M 14)
65														36	32	28	24
70																	
80																	
90																	
100																	
110																	
120																	
130																	
140																	
150																	
160																	
180																	
200																	

- Remarks
1. Priority is given to the nominal sizes of screws without parentheses.
 2. Nominal lengths (ℓ) to be recommended for the nominal sizes of screw are within the range enclosed by bold lines in the column of "Body length ℓ_g ". In the column of "Body length ℓ_g ", thread of the screw with length shorter than that indicated under dotted lines should be continuous. For the continuous thread stud screw, the incomplete thread portion length under the neck of the screw should be approximately three times of the thread pitch.
 3. The sides of the head of screw should be single or double knurled. The d_k values in the table are the maximum values without knurls.
 4. Roundness or chamfers on the bearing surface should be provided between the diameter of the head (d_k) and the diameter of bearing surface (d_w), and the surface should be free from burrs.

Supplementary table 11 (2) Hexagon socket head cap screws (abstract from JIS B 1176 (ISO 4762))

M 27 – 52



Allowance of bolt length (ℓ)

Unit : mm

Bolt length (ℓ)		Allowance of length
Over	Up to	
–	3	± 0.2
3	6	± 0.24
6	10	± 0.29
10	16	± 0.35
16	30	± 0.42
30	50	± 0.5
50	80	± 0.6
80	120	± 0.7
120	180	± 0.8
180	240	± 0.95
240	300	± 1.05

(2) Parts class A M 27–52

Unit : mm

Nominal size of screw d	Coarse screw thread pitch	(M 27)	M 30	(M 33)	M 36	(M 39)	M 42	(M 45)	M 48	(M 52)
Head dia. d_k		40	45	50	54	58	63	68	72	78
Head height k		27	30	33	36	39	42	45	48	52
Bearing surface dia. d_w (min.)		38.61	43.61	48.61	52.54	56.34	61.34	66.34	70.34	76.34
Nominal size of hexagon socket s		19	22	24	27	27	32	32	36	36
Thread length b (reference)		66	72	78	84	90	96	102	108	116

Nominal length ℓ	(M 27)	M 30	Body length ℓ_g (max.)							
45										
50										
55										
60										
65										
70										
80										
90										
100										
110										
120										
130										
140										
150										
160										
180										
200										
220										
240										
260										
280										
300										

- Remarks
1. Priority is given to the nominal sizes of screws without parentheses.
 2. Nominal lengths (ℓ) to be recommended for the nominal sizes of screw are within the range enclosed by bold lines in the column of "Body length ℓ_g ". In the column of "Body length ℓ_g ", thread of the screw with length shorter than that indicated under dotted lines should be continuous. For the continuous thread stud screw, the incomplete thread portion length under the neck of the screw should be approximately three times of the thread pitch.
 3. The sides of the head of screw should be single or double knurled. The d_k values in the table are the maximum values without knurls.
 4. Roundness or chamfers on the bearing surface should be provided between the diameter of the head (d_k) and the diameter of bearing surface (d_w), and the surface should be free from burrs.

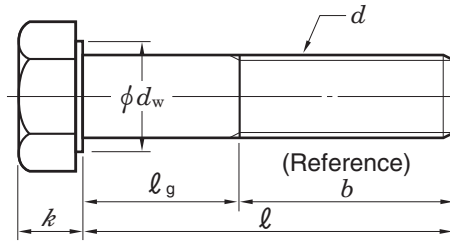
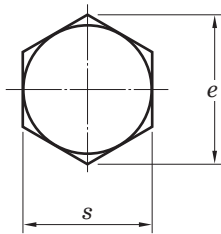
Supplementary table 12 Hexagon head bolts

Supplementary table 12 (1) Hexagon head bolts
(abstract from JIS B 1180 (ISO 4014~4018, 8676, 8765))

Parts class A M 1.6 – 24

Allowance of bolt length (ℓ)

Unit : mm



Bolt length (ℓ)		Allowance of length
Over	Up to	
-	20	± 0.35
20	30	± 0.42
30	50	± 0.5
50	80	± 0.6
80	120	± 0.7
120	150	± 0.8

(1) Parts class A M 1.6–24

Unit : mm

Nominal size of screw d	Coarse screw thread pitch	M 1.6	M 2	M 2.5	M 3	(M 3.5)	M 4	M 5	M 6	M 8	M 10	M 12	(M 14)	M 16	(M 18)	M 20	(M 22)	M 24
		Fine thread	-	-	-	-	-	-	-	-	M 8 x 1	M 10 x 1	M 12 x 1.5	-	M 16 x 1.5	-	M 20 x 1.5	-
		-	-	-	-	-	-	-	-	(M 10 x 1.25)	(M 12 x 1.25)	(M 14 x 1.5)	-	(M 18 x 1.5)	(M 20 x 2)	(M 22 x 1.5)	-	-
Bearing surface dia. d_w (min.)		2.27	3.07	4.07	4.57	5.07	5.88	6.88	8.88	11.63	14.63	16.63	19.64	22.49	25.34	28.19	31.71	33.61
Width across flats s (max.)		3.2	4	5	5.5	6	7	8	10	13	16	18	21	24	27	30	34	36
Width across corners e (min.)		3.41	4.32	5.45	6.01	6.58	7.66	8.79	11.05	14.38	17.77	20.03	23.36	26.75	30.14	33.53	37.72	39.98
Head height k (basic)		1.1	1.4	1.7	2	2.4	2.8	3.5	4	5.3	6.4	7.5	8.8	10	11.5	12.5	14	15
Thread length b (reference)	$\ell \leq 125$	9	10	11	12	13	14	16	18	22	26	30	34	38	42	46	50	54
	$125 < \ell \leq 150$	-	-	-	-	-	-	-	-	-	-	-	40	44	48	52	56	60

Nominal length ℓ	Body length ℓ_g (max.)																		
12	3	M 2	M 2.5																
16	7	6	5	M 3	(M 3.5)														
20	10	9	8	7	M 4	M 5													
25	14	13	12	11	9	M 6													
30	18	17	16	14	12														
35	22	21	19	17	M 8														
40	26	24	22	18	M 10														
45	29	27	23	19	M 12														
50	34	32	28	24	20														
55	37	33	29	25	(M 14)														
60	42	38	34	30	26	M 16													
65	43	39	35	31	27	(M 18)													
70	48	44	40	36	32	28	M 20												
80	58	54	50	46	42	38	34	(M 22)	M 24										
90	64	60	56	52	48	44	40	36	36										
100	74	70	66	62	58	54	50	46	46										
110	80	76	72	68	64	60	56	56	56										
120	90	86	82	78	74	70	66	66	66										
130	90	86	82	78	74	70	66	66	66										
140	100	96	92	88	84	80	76	76	76										
150	106	102	98	94	90	86	82	82	82										

As for the bolts with nominal length within this area, standards of continuous thread stud hexagon head bolt (parts class A) should be observed.

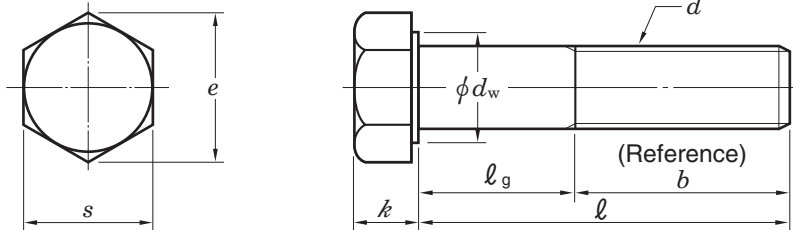
- Remarks 1. Priority is given to the nominal sizes of screws without parentheses.
 2. Nominal lengths (ℓ) to be recommended for the nominal sizes of screw are within the range enclosed by bold lines.
 3. Body length ℓ_g (maximum) should be found by the following equation : ℓ_g (maximum) = Nominal length (ℓ) - Thread length (b)

Supplementary table 12 (2) Hexagon head bolts (abstract from JIS B 1180 (ISO 4014~4018, 8676, 8765))

Parts class B M 16 – 64

Allowance of bolt length (ℓ)

Unit : mm



Bolt length (ℓ)		Allowance of length
Over	Up to	
–	80	± 1.5
80	90	± 1.7
90	120	± 1.75
120	180	± 2
180	240	± 2.3
240	300	± 2.6
300	400	± 2.85
400	500	± 3.15

(2) Parts class B M 16–64

Unit : mm

Nominal size of screw d	Coarse screw thread pitch	M 16	(M 18)	M 20	(M 22)	M 24	(M 27)	M 30	(M 33)	M 36	(M 39)	M 42	(M 45)	M 48	(M 52)	M 56	(M 60)	M 64
		Fine thread	M 16 x 1.5	–	M 20 x 1.5	–	M 24 x 2	–	M 30 x 2	–	M 36 x 3	–	M 42 x 3	–	M 48 x 3	–	M 56 x 4	–
		–	(M 18 x 1.5)	(M 20 x 2)	(M 22 x 1.5)	–	(M 27 x 2)	–	(M 33 x 2)	–	(M 39 x 3)	–	(M 45 x 3)	–	(M 52 x 4)	–	(M 60 x 4)	–
Bearing surface dia. d_w (min.)		22	24.85	27.7	31.35	33.25	38	42.75	46.55	51.11	55.86	59.95	64.7	69.45	74.2	78.66	83.41	88.16
Width across flats s (max.)		24	27	30	34	36	41	46	50	55	60	65	70	75	80	85	90	95
Width across corners e (min.)		26.17	29.56	32.95	37.29	39.55	45.2	50.85	55.37	60.79	66.44	71.3	76.95	82.6	88.25	93.56	99.21	104.86
Head height k (basic)		10	11.5	12.5	14	15	17	18.7	21	22.5	25	26	28	30	33	35	38	40
Thread length b (reference)	$\ell \leq 125$	38	42	46	50	54	60	66	–	–	–	–	–	–	–	–	–	–
	$125 < \ell \leq 200$	44	48	52	56	60	66	72	78	84	90	96	102	108	116	–	–	–
	$200 < \ell \leq 500$	–	–	–	69	73	79	85	91	97	103	109	115	121	129	137	145	153

Nominal length ℓ	Body length ℓ_g (max.)																	
65	(M 18)																	
70	M 20																	
80	(M 22) M 24																	
90	(M 27)																	
100	40 M 30																	
110	50 44																	
120	60 54 (M 33)																	
130	64 58 M 36																	
140	74 68 62 56 (M 39)																	
150	84 78 72 66 60 M 42																	
160	116	112	108	104	100	94	88	82	76	70	64	(M 45)	M 48					
180	132 128 124 120 114 108 102 96 90 84 78 72 (M 52)																	
200	148 144 140 134 128 122 116 110 104 98 92 84 M 56																	
220	151 147 141 135 129 123 117 111 105 99 91 83 (M 60)																	
240	167 161 155 149 143 137 131 125 119 111 103 95 M 64																	
260	181 175 169 163 157 151 145 139 131 123 115 107																	
280	195 189 183 177 171 165 159 151 143 135 127																	
300	215 209 203 197 191 185 179 171 163 155 147																	
320	229 223 217 211 205 199 191 183 175 167																	
340	243 237 231 225 219 211 203 195 187																	
360	263 257 251 245 239 231 223 215 207																	
380	277 271 265 259 251 243 235 227																	
400	291 285 279 271 263 255 247																	
420	311 305 299 291 283 275 267																	
440	325 319 311 303 295 287																	
460	339 331 323 315 307																	
480	359 351 343 335 327																	
500	371 363 355 347																	

As for the bolts with nominal length within this area, standards of continuous thread stud hexagon head bolt (parts class A or B) should be observed.

Remarks 1. Priority is given to the nominal sizes of screws without parentheses.

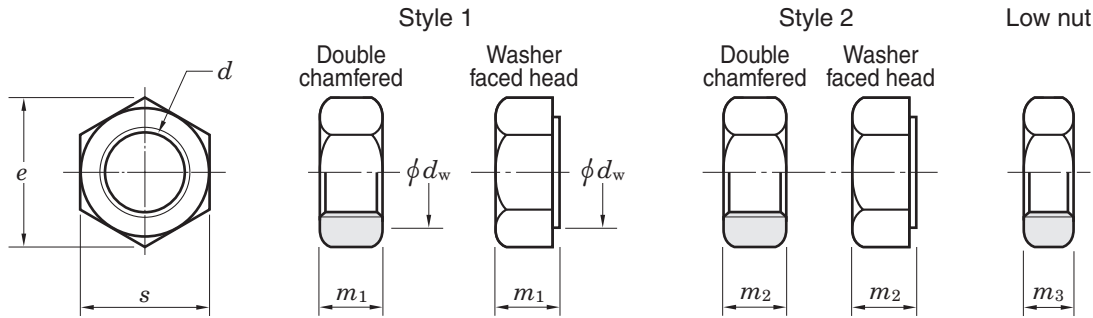
2. Nominal lengths (ℓ) to be recommended for the nominal sizes of screw are within the range enclosed by bold lines.

3. Body length ℓ_g (maximum) should be found by the following equation : ℓ_g (maximum) = Nominal length (ℓ) – Thread length (b)

Supplementary table 13 Hexagon head nuts

(abstract from JIS B 1181 (ISO 4032, 4033, 8673, 8674))

Parts class A M 1.6 – 16
 Parts class B M 18 – 64



(1) Parts class A M 1.6–16

Unit : mm

Nominal size of screw d	Coarse screw thread pitch	M 1.6	M 2	M 2.5	M 3	(M 3.5)	M 4	M 5	M 6	M 8	M 10	M 12	(M 14)	M 16
	Fine thread		–	–	–	–	–	–	–	–	M 8 x 1	M 10 x 1	M 12 x 1.5	–
Bearing surface dia. d_w (min.)		2.27	3.07	4.07	4.57	5.07	5.88	6.88	8.88	11.63	14.63	16.63	19.64	22.49
Width across flats s (max.)		3.2	4	5	5.5	6	7	8	10	13	16	18	21	24
Width across corners e (min.)		3.41	4.32	5.45	6.01	6.58	7.66	8.79	11.05	14.38	17.77	20.03	23.36	26.75
Height	m_1 (max.)	1.3	1.6	2	2.4	2.8	3.2	4.7	5.2	6.8	8.4	10.8	12.8	14.8
	m_2 (max.)	–	–	–	–	–	–	5.1	5.7	7.5	9.3	12	14.1	16.4
	m_3 (max.)	1	1.2	1.6	1.8	2	2.2	2.7	3.2	4	5	6	7	8

Remark Priority is given to the nominal sizes of screws without parentheses.

(2) Parts class B M 18–64

Unit : mm

Nominal size of screw d	Coarse screw thread pitch	(M 18)	M 20	(M 22)	M 24	(M 27)	M 30	(M 33)	M 36	(M 39)	M 42	(M 45)	M 48	(M 52)	M 56	(M 60)	M 64
	Fine thread		–	M 20 x 1.5	–	M 24 x 2	–	M 30 x 2	–	M 36 x 3	–	M 42 x 3	–	M 48 x 3	–	M 56 x 4	–
Bearing surface dia. d_w (min.)		24.85	27.7	31.35	33.25	38	42.75	46.55	51.11	55.86	59.95	64.7	69.45	74.2	78.66	83.41	88.16
Width across flats s (max.)		27	30	34	36	41	46	50	55	60	65	70	75	80	85	90	95
Width across corners e (min.)		29.56	32.95	37.29	39.55	45.2	50.85	55.37	60.79	66.44	71.3	76.95	82.6	88.25	93.56	99.21	104.86
Height	m_1 (max.)	15.8	18	19.4	21.5	23.8	25.6	28.7	31	33.4	34	36	38	42	45	48	51
	m_2 (max.)	17.6	20.3	21.8	23.9	26.7	28.6	32.5	34.7	–	–	–	–	–	–	–	–
	m_3 (max.)	9	10	11	12	13.5	15	16.5	18	19.5	21	22.5	24	26	28	30	32

Remark Priority is given to the nominal sizes of screws without parentheses.

Supplementary table 14 Steel hardness conversion

Rockwell C scale 1 471.0 N (150 kgf)	Vickers	Brinell		Rockwell		Shore
		Standard steel ball	Tungsten carbide steel ball	A scale 588.4 N (60 kgf)	B scale 980.7 N (100 kgf)	
68	940			85.6		97
67	900			85.0		95
66	865			84.5		92
65	832		739	83.9		91
64	800		722	83.4		88
63	772		705	82.8		87
62	746		688	82.3		85
61	720		670	81.8		83
60	697		654	81.2		81
59	674		634	80.7		80
58	653		615	80.1		78
57	633		595	79.6		76
56	613		577	79.0		75
55	595	–	560	78.5		74
54	577	–	543	78.0		72
53	560	–	525	77.4		71
52	544	500	512	76.8		69
51	528	487	496	76.3		68
50	513	475	481	75.9		67
49	498	464	469	75.2		66
48	484	451	455	74.7		64
47	471	442	443	74.1		63
46	458	432	432	73.6		62
45	446		421	73.1		60
44	434		409	72.5		58
43	423		400	72.0		57
42	412		390	71.5		56
41	402		381	70.9		55
40	392		371	70.4	–	54
39	382		362	69.9	–	52
38	372		353	69.4	–	51
37	363		344	68.9	–	50
36	354		336	68.4	(109.0)	49
35	345		327	67.9	(108.5)	48
34	336		319	67.4	(108.0)	47
33	327		311	66.8	(107.5)	46
32	318		301	66.3	(107.0)	44
31	310		294	65.8	(106.0)	43
30	302		286	65.3	(105.5)	42
29	294		279	64.7	(104.5)	41
28	286		271	64.3	(104.0)	41
27	279		264	63.8	(103.0)	40
26	272		258	63.3	(102.5)	38
25	266		253	62.8	(101.5)	38
24	260		247	62.4	(101.0)	37
23	254		243	62.0	100.0	36
22	248		237	61.5	99.0	35
21	243		231	61.0	98.5	35
20	238		226	60.5	97.8	34
(18)	230		219	–	96.7	33
(16)	222		212	–	95.5	32
(14)	213		203	–	93.9	31
(12)	204		194	–	92.3	29
(10)	196		187		90.7	28
(8)	188		179		89.5	27
(6)	180		171		87.1	26
(4)	173		165		85.5	25
(2)	166		158		83.5	24
(0)	160		152		81.7	24

Supplementary table 15 Viscosity conversion

Kinematic viscosity mm ² /s	Saybolt SUS (second)		Redwood R (second)		Engler E (degree)
	100 °F	210 °F	50 °C	100 °C	
2	32.6	32.8	30.8	31.2	1.14
3	36.0	36.3	33.3	33.7	1.22
4	39.1	39.4	35.9	36.5	1.31
5	42.3	42.6	38.5	39.1	1.40
6	45.5	45.8	41.1	41.7	1.48
7	48.7	49.0	43.7	44.3	1.56
8	52.0	52.4	46.3	47.0	1.65
9	55.4	55.8	49.1	50.0	1.75
10	58.8	59.2	52.1	52.9	1.84
11	62.3	62.7	55.1	56.0	1.93
12	65.9	66.4	58.2	59.1	2.02
13	69.6	70.1	61.4	62.3	2.12
14	73.4	73.9	64.7	65.6	2.22
15	77.2	77.7	68.0	69.1	2.32
16	81.1	81.7	71.5	72.6	2.43
17	85.1	85.7	75.0	76.1	2.54
18	89.2	89.8	78.6	79.7	2.64
19	93.3	94.0	82.1	83.6	2.76
20	97.5	98.2	85.8	87.4	2.87
21	102	102	89.5	91.3	2.98
22	106	107	93.3	95.1	3.10
23	110	111	97.1	98.9	3.22
24	115	115	101	103	3.34
25	119	120	105	107	3.46
26	123	124	109	111	3.58
27	128	129	112	115	3.70
28	132	133	116	119	3.82
29	137	138	120	123	3.95
30	141	142	124	127	4.07
31	145	146	128	131	4.20
32	150	150	132	135	4.32
33	154	155	136	139	4.45
34	159	160	140	143	4.57

Kinematic viscosity mm ² /s	Saybolt SUS (second)		Redwood R (second)		Engler E (degree)
	100 °F	210 °F	50 °C	100 °C	
35	163	164	144	147	4.70
36	168	170	148	151	4.83
37	172	173	153	155	4.96
38	177	178	156	159	5.08
39	181	183	160	164	5.21
40	186	187	164	168	5.34
41	190	192	168	172	5.47
42	195	196	172	176	5.59
43	199	201	176	180	5.72
44	204	205	180	185	5.85
45	208	210	184	189	5.98
46	213	215	188	193	6.11
47	218	219	193	197	6.24
48	222	224	197	202	6.37
49	227	228	201	206	6.50
50	231	233	205	210	6.63
55	254	256	225	231	7.24
60	277	279	245	252	7.90
65	300	302	266	273	8.55
70	323	326	286	294	9.21
75	346	349	306	315	9.89
80	371	373	326	336	10.5
85	394	397	347	357	11.2
90	417	420	367	378	11.8
95	440	443	387	399	12.5
100	464	467	408	420	13.2
120	556	560	490	504	15.8
140	649	653	571	588	18.4
160	742	747	653	672	21.1
180	834	840	734	757	23.7
200	927	933	816	841	26.3
250	1 159	1 167	1 020	1 051	32.9
300	1 391	1 400	1 224	1 241	39.5

Remark 1 mm²/s = 1 cSt (centistokes)

GLOBAL NETWORK

BEARING BUSINESS OPERATIONS

JTEKT CORPORATION NAGOYA HEAD OFFICE

No.7-1, Meieki 4-chome, Nakamura-ku, Nagoya, Aichi 450-8515,
JAPAN
TEL : 81-52-527-1900
FAX : 81-52-527-1911

JTEKT CORPORATION OSAKA HEAD OFFICE

No.5-8, Minamisemba 3-chome, Chuo-ku, Osaka 542-8502,
JAPAN
TEL : 81-6-6271-8451
FAX : 81-6-6245-3712

Sales & Marketing Headquarters

No.5-8, Minamisemba 3-chome, Chuo-ku, Osaka 542-8502,
JAPAN
TEL : 81-6-6245-6087
FAX : 81-6-6244-9007

OFFICES

KOYO CANADA INC.

5324 South Service Road, Burlington, Ontario L7L 5H5, CANADA
TEL : 1-905-681-1121
FAX : 1-905-681-1392

JTEKT NORTH AMERICA CORPORATION

-Main Office-

47771 Halyard Drive, Plymouth, MI 48170, U.S.A.
TEL : 1-734-454-1500
FAX : 1-734-454-7059

-Cleveland Office-

29570 Clemens Road, P.O.Box 45028, Westlake,
OH 44145, U.S.A.
TEL : 1-440-835-1000
FAX : 1-440-835-9347

KOYO MEXICANA, S.A. DE C.V.

Av. Insurgentes Sur 2376-505, Col. Chimalistac, Del. Álvaro
Obregón, C.P. 01070, México, D.F.
TEL : 52-55-5207-3860
FAX : 52-55-5207-3873

KOYO LATIN AMERICA, S.A.

Edificio Banco del Pacifico Planta Baja, Calle Aquilino de la
Guardia y Calle 52, Panama, REPUBLICA DE PANAMA
TEL : 507-208-5900
FAX : 507-264-2782/507-269-7578

KOYO ROLAMENTOS DO BRASIL LTDA.

Avenida Brigadeiro Faria Lima, 1744 - 1st Floor - CJ. 11 São
Paulo - SP - Brazil CEP 01451-001
TEL : 55-11-3372-7500
FAX : 55-11-3887-3039

KOYO MIDDLE EAST FZE

6EA 601, Dubai Airport Free Zone, P.O. Box 54816, Dubai, U.A.E.
TEL : 97-1-4299-3600
FAX : 97-1-4299-3700

KOYO BEARINGS INDIA PVT. LTD.

C/o Stylus Commercial Services PVT LTD, Ground Floor, The
Beech, E-1, Manyata Embassy Business Park, Outer Ring Road,
Bengaluru-560045, INDIA
TEL : 91-80-4276-4567 (Reception Desk of Service Office)
FAX : 91-80-4276-4568

JTEKT (THAILAND) CO., LTD.

172/1 Moo 12 Tambol Bangwua, Amphur Bangpakong,
Chachoengsao 24180, THAILAND
TEL : 66-38-533-310~7
FAX : 66-38-532-776

PT. JTEKT INDONESIA

Jl. Surya Madya Plot I-27b, Kawasan Industri Surya Cipta,
Kutanegara, Ciampel, Karawang Jawa Barat, 41363 Indonesia
TEL : 62-267-8610-270
FAX : 62-267-8610-271

KOYO SINGAPORE BEARING (PTE.) LTD.

27, Penjuru Lane, Level 5, Phase 1 Warehouse #05-01.
SINGAPORE 609195
TEL : 65-6274-2200
FAX : 65-6862-1623

PHILIPPINE KOYO BEARING CORPORATION

6th Floor, One World Square Building, #10 Upper McKinley
Road, McKinley Town Center Fort Bonifacio, 1634 Taguig City,
PHILIPPINES
TEL : 63-2-856-5046/5047
FAX : 63-2-856-5045

JTEKT KOREA CO., LTD.

Seong-do Bldg 13F, 207, Dosan-Dearo, Gangnam-Gu, Seoul,
KOREA
TEL : 82-2-549-7922
FAX : 82-2-549-7923

JTEKT (CHINA) CO., LTD.

Room.25A2, V-CAPITAL Building, 333 Xianxia Road, Changning
District, Shanghai 200336, CHINA
TEL : 86-21-5178-1000
FAX : 86-21-5178-1008

KOYO AUSTRALIA PTY. LTD.

Unit 2, 8 Hill Road, Homebush Bay, NSW 2127, AUSTRALIA
TEL : 61-2-8719-5300
FAX : 61-2-8719-5333

JTEKT EUROPE BEARINGS B.V.

Markerkant 13-01, 1314 AL Almere, THE NETHERLANDS
TEL : 31-36-5383333
FAX : 31-36-5347212

-Benelux Branch Office-

Energieweg 10a, 2964 LE, Groot-Ammers, THE NETHERLANDS
TEL : 31-184606800
FAX : 31-184606857

-Sosnowiec Branch Office-

ul.3 Maja14, 41-200 Sosnowiec, POLAND
TEL : 48-32-720-1444
FAX : 48-32-746-7746

KOYO KULLAGER SCANDINAVIA A.B.

Johanneslundsvägen 4, 194 61 Upplands Väsby, SWEDEN
TEL : 46-8-594-212-10
FAX : 46-8-594-212-29

KOYO (U.K.) LIMITED

Whitehall Avenue, Kingston, Milton Keynes MK10 0AX,
UNITED KINGDOM
TEL : 44-1908-289300
FAX : 44-1908-289333

KOYO DEUTSCHLAND GMBH

Bargkoppelweg 4, D-22145 Hamburg, GERMANY
TEL : 49-40-67-9090-0
FAX : 49-40-67-9203-0

KOYO FRANCE S.A.

6 avenue du Marais, BP20189, 95105 Argenteuil, FRANCE
TEL : 33-1-3998-4202
FAX : 33-1-3998-4244/4249

KOYO IBERICA, S.L.

Avda.de la Industria, 52-2 izda 28820 Coslada Madrid, SPAIN
TEL : 34-91-329-0818
FAX : 34-91-747-1194

KOYO ITALIA S.R.L.

Via Stephenson 43/a 20157 Milano, ITALY
TEL : 39-02-2951-0844
FAX : 39-02-2951-0954

-Romanian Representative Office-

24, Lister Street, ap. 1, sector 5, Bucharest, ROMANIA
TEL : 40-21-410-4182
FAX : 40-21-410-1178

JTEKT